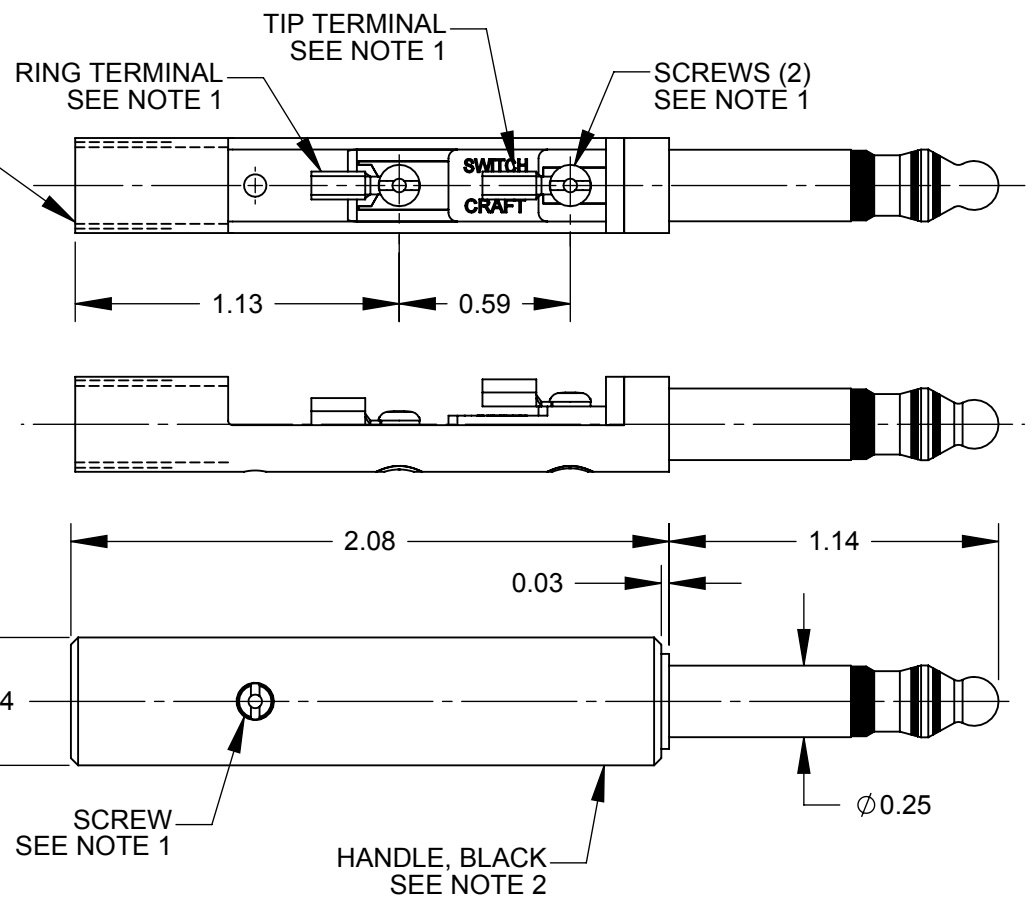


5/16-24 UNF-2B
TRUNCATED INTERNAL THREAD
0.301 MAJOR DIAMETER



NOTES:

1. TERMINALS AND SCREWS ARE SHIPPED UNASSEMBLED AS HARDWARE KIT K172.
2. HANDLE SHIPPED UNASSEMBLED.
3. MATERIALS:
TIP ROD, RING & SLEEVE - COPPER ALLOY
INSULATION - THERMOPLASTIC, BLACK
TERMINALS - COPPER ALLOY, TIN PLATED
SCREWS- COPPER ALLOY
HANDLE - THERMOPLASTIC, BLACK
4. THIS PRODUCT IS RoHS COMPLIANT.

CUSTOMER DRAWING

					THIS DRAWING DESCRIBES A DESIGN CONSIDERED PROPRIETARY IN NATURE, DEVELOPED AND MANUFACTURED BY SWITCHCRAFT INC. AND IS RELEASED ON A CONFIDENTIAL BASIS FOR IDENTIFICATION PURPOSES ONLY.				
					SIZE	WIDTH	MULT	LBS/M	TEMPER
					FINISH			MATERIAL	
					SPEC No.			SPEC No.	
					FIRST USED ON		SCALE 1.5:1		
A	27173	7-18-13	TO	TJK	DATE DRAWN	BY	CHKD TO	APVD	
REV	ECO NUMBER	DATE	BY	APVD	8-1-13	TO	8-1-13	8-1-13	
REVISIONS					DO NOT SCALE DRAWING				
					NAME			PART No.	
					LITTEL PLUG, RoHS			483X	
								REV A	