



MADE IN THE USA

### Related Products (each sold separately):

- PS021-0512: Protection System (shown below)



### Product Description:

- Protection System
- Holds gowns, aprons, or overalls/jumpsuits, two boxes of gloves, one box of earloop masks, and one box of shield masks
- Keyholes for wall mounting, or cutout for use with BOWMAN® hanger
- Quartz Beige Powder-Coated Aluminum

### Primary Area for Product Usage:

- Anywhere protective equipment is needed

### Dispenses:

- Top left: Box(es) of isolation gowns, up to 15 flat-pack gowns, or up to 20 launderable gowns
- Top right: Box(es) no larger than 8.13"W x 9.63"H x 4.25"D (20.7 cm x 24.5 cm x 10.8 cm)
- Middle right: Box(es) no larger than 8.13"W x 5.00"H x 4.25"D (20.7 cm x 12.7 cm x 10.8 cm)
- Bottom: Boxes no larger than 11.31"W x 5.38"H x 4.00"D (28.7 cm x 13.7 cm x 10.2 cm)

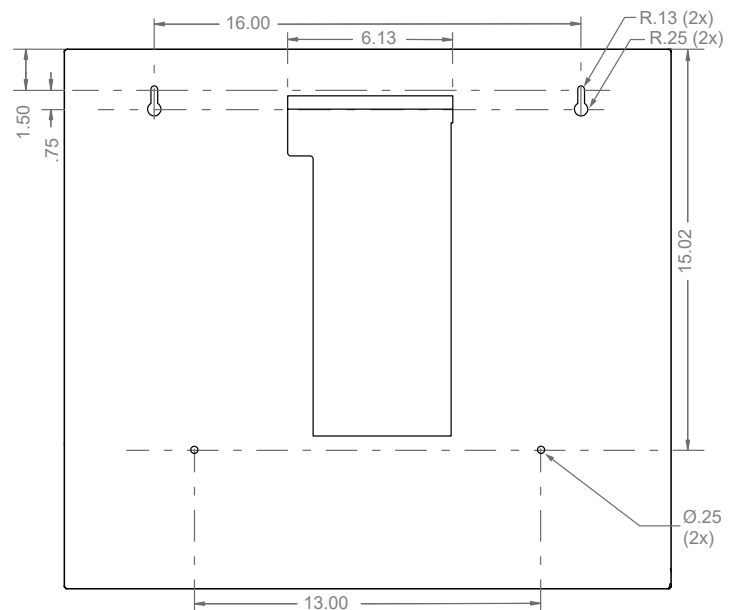
### Package Specifications:

- 24"L x 8"W x 24"H (61.0 cm x 20.3 cm x 61.0 cm)
- 9.0 lbs (4.1 kg) - approximated

### Product Specifications (overall external dimensions):

- 22.75"W x 20.23"H x 4.58"D (57.8 cm x 51.4 cm x 11.6 cm)
- 6.1 lbs (2.7 kg) - approximated

### Mounting Specifications:

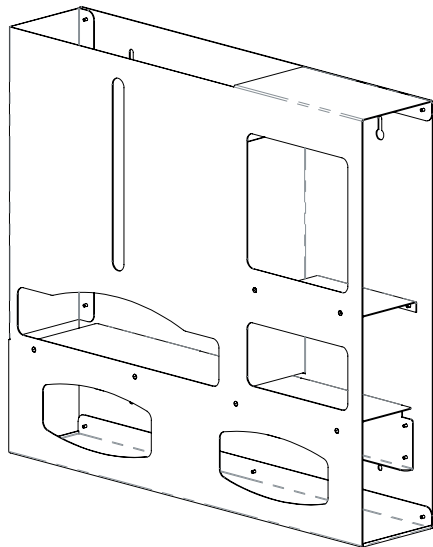




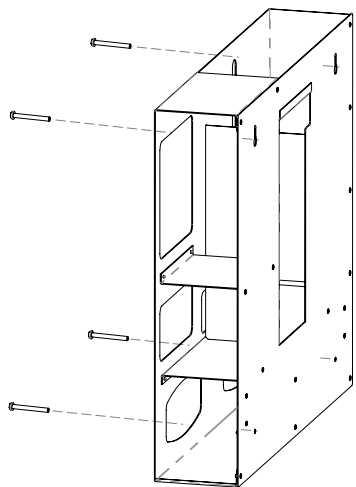
## Installation

Always mount dispensers securely *prior* to loading with product.

- Compact design holds the most crucial PPE in a small space.



- Mount securely to a wall with screws approved and supplied by building maintenance.
- Dispenser can be mounted onto a BOWMAN® door or wall hanger through the cutout in the back. (Please see chosen hanger's datasheet for details.)



### Parts included:

- Dispenser

### Tools Required:

- No tools required to assemble dispenser

## Care and Construction

Powder-Coated Aluminum

### Material Characteristics

#### Designed for Long-Term, Heavy-Duty Applications

Our powder-coated aluminum dispensers resist corrosion, chips and flaking. This material will provide long-lasting products that hold up well in tough environments.

Powder-coated aluminum is ideal for dispensers used in a healthcare or an industrial setting. It is impact resistant and is not effected by extremes in temperature.

### Care and Cleaning

The semi-gloss powder-coated finish resists mild chemicals and cleaning agents, such as Windex or glass cleaners. It should be cleaned with a damp cloth or mild soap and water. Scotch-Brite, steel wool or any abrasive products should not be used.