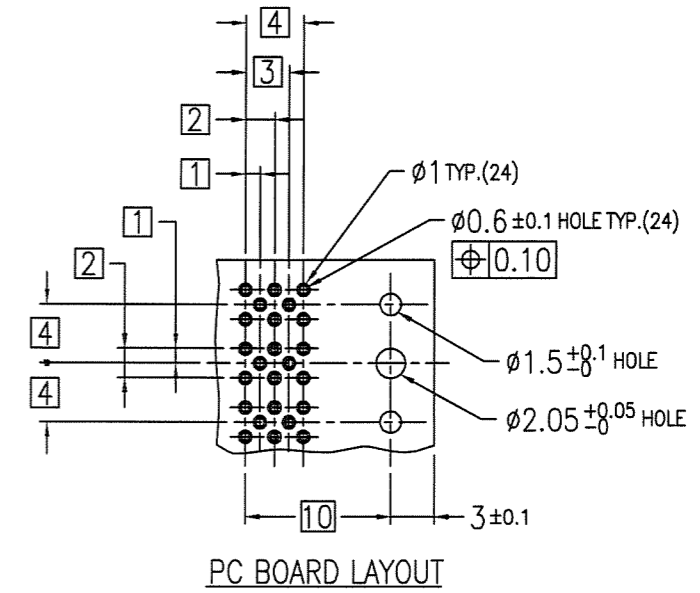
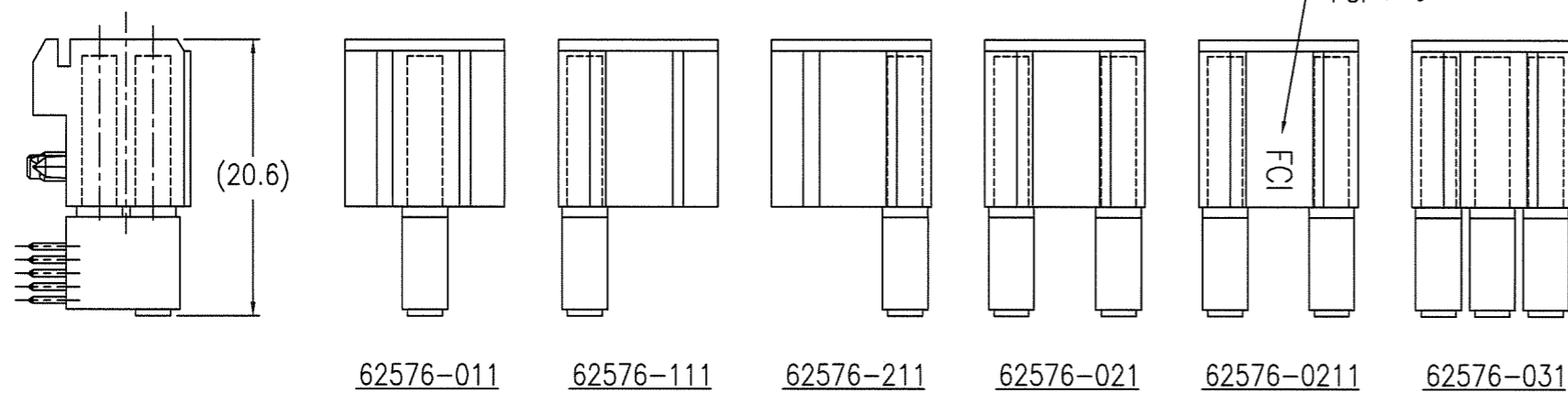


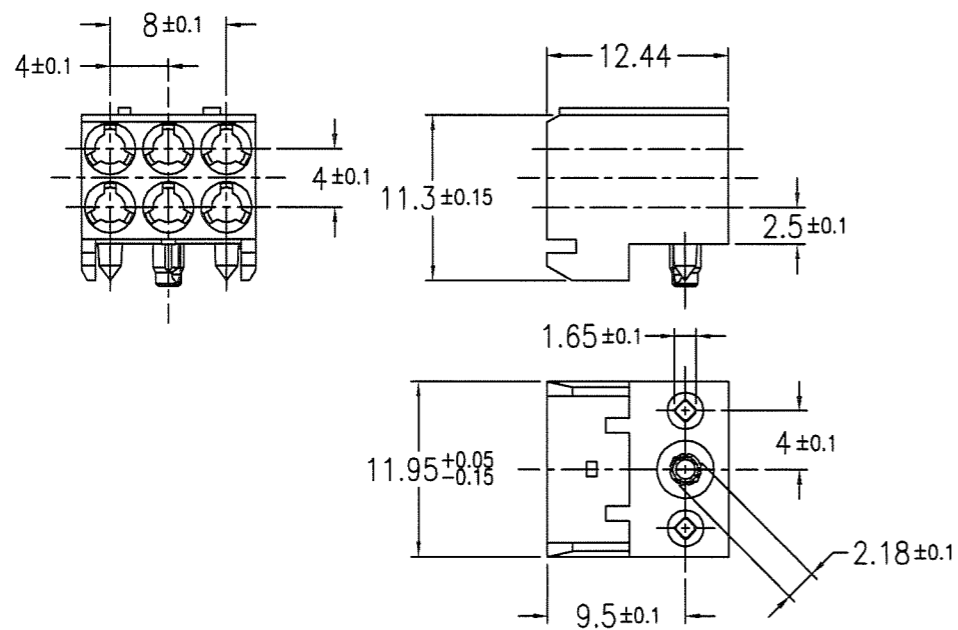
| KIT PART No. | ① HOUSING P/N | QTY. | ② CONTACT P/N | QTY. |
|--------------|---------------|------|---------------|------|
| 62576-011 | 85939-122 | 1 | 62525-101 | 1 |
| -011LF | | | -101LF | |
| 62576-111 | 85939-122 | 1 | 62525-101 | 1 |
| -111LF | | | -101LF | |
| 62576-211 | 85939-122 | 1 | 62525-101 | 1 |
| -211LF | | | -101LF | |
| 62576-021 | 85939-122 | 1 | 62525-101 | 2 |
| -021LF | | | -101LF | |
| 62576-0211 | 85939-1221 | 1 | 62525-101 | 2 |
| -0211LF | | | -101LF | |
| 62576-031 | 85939-122 | 1 | 62525-101 | 3 |
| -031LF | | | -101LF | |



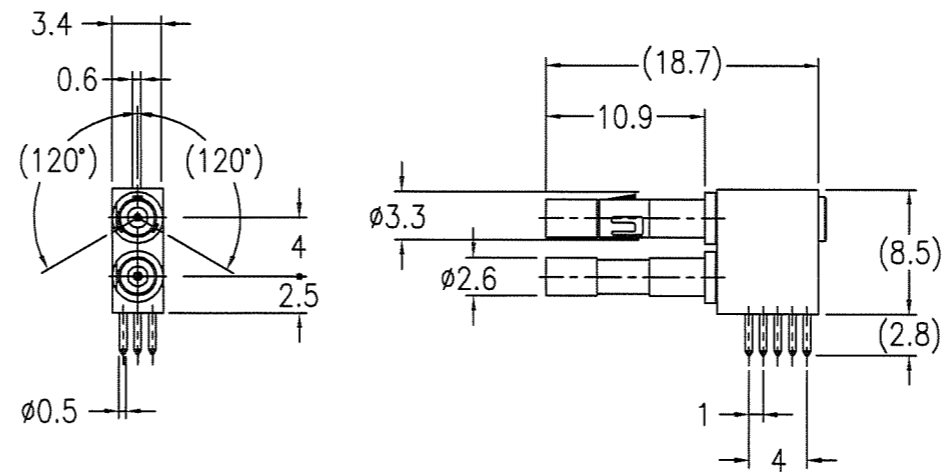
NOTE
 1. FOR LEAD FREE P/N, THE PRODUCT MEET EUROPEAN UNION DIRECTIVES AND OTHER COUNTRY REGULATIONS AS DESCRIBED IN GS-22-008
 2. THE HOUSING WILL WITHSTAND EXPOSURE TO 260°C PEAK TEMPERATURE FOR 10 SECONDS IN A CONVECTION, INFRA-RED OR VAPOR PHASE REFLOW OVEN.



① R/A FEMALE HOUSING MINI COAX PRESS PEG



② R/A FEMALE CONTACT MINI COAX



| mat'l. code | | surface | | tolerance | | projection | | product family | | CODE | |
|-------------|----------------|------------|-----|---------------------|---------------------------------------|-------------|----------|----------------|--------------------------|------------------|------|
| --- | | ISO 1302 ✓ | | ISO 406 ISO 1101 | | | | METRAL | | JP | |
| ltr | description | ecn no | dr | date | tolerances unless otherwise specified | | MM | | title | | |
| A | RELEASED | J00009 | Y.K | 1/14/'00 | angles | linear | 0.X | ±0.2 | METRAL MINI COAX | | |
| B | REVISED | J00330 | Y.K | 5/10/'00 | 0°±3' | | 0.XX | ±0.2 | R/A FEMALE CONNECTOR KIT | | |
| C | REVISED | J10491 | Y.K | 9/18/'01 | | | 0.XXX | ±0.2 | scale 2:1 | | |
| D | REVISED | J05-0673 | T.S | 10/21/'05 | dr | Y.KODAIRA | 1/14/'00 | dwg no | | sheet 1 of 1 | size |
| E | REVISED | J07-0030 | S.O | 1/18/'07 | enrg | S.OKUDAIRA | 1/18/'07 | 62576 | | A3 | |
| | | | | | chr | R. Shoji | 1/18/09 | type | | Customer Drawing | |
| | | | | | appd | S. Okudaira | 1/18/07 | Rev. | | E | |
| sheet index | revision sheet | | | | | | | | | | |