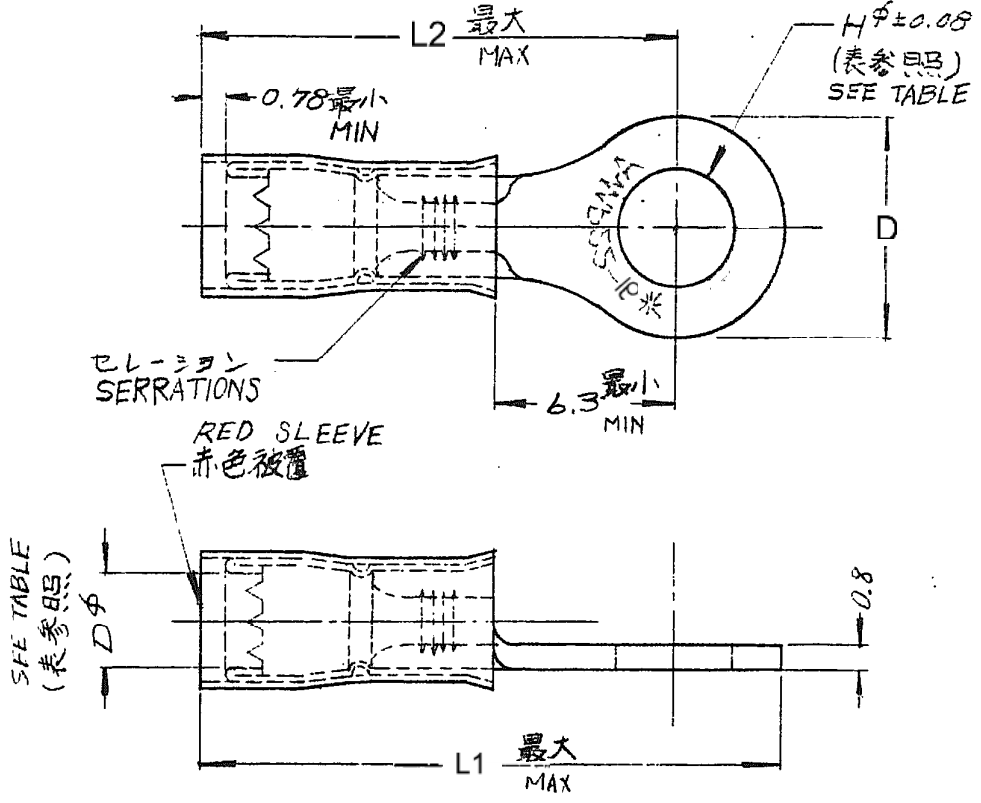


⚠ OBSOLETE PARTS: OBSOLETE CIS STREAMLINING PER D.RENAUD/D.SINISI



所製品番号	STUD SIZE		INSULATION DIA			
	スタッドサイズ	Hφ	被覆外径 D	L1	L2	D
171508-1	#6	3.68	2.03~3.18	20.3	16.7	7.1
-2	#8	4.34	2.03~3.18	20.3	16.7	7.1
-3	#10	5	2.03~3.18			
-4	#6	3.68	2.67~3.56	20.3	16.7	7.1
-5	#8	4.34	2.67~3.56	20.3	16.7	7.1
-6	#10	5	2.67~3.56			
-7	5mm	5.26	2.03~3.18			
-8	5mm	⑤ 5.2	2.67~3.56	21.4	17.5	7.9
171508-9	#4	3.02	2.03~3.18			

K	REVISED PER ECR-17-018225	Y.O	E.T	27DEC17	参考図面 (CUSTOMER COPY REFERENCE ONLY)		
J	REVISED PER ECR-17-007066	T.G	N.Y	26MAY17	MATERIAL: 電線銅 COPPER		
H	OBSOLETE	Y.O	N.Y	14APR17	FINISH: ANNEAL TIN PL 焼付乳 錫めっき		
G	Change Applicable Body	Y.O	N.Y	23JAN17	WIRE RANGE: 0.26~1.04 mm (AWG 22-16)		
F2	REVISED PER ECO-11-005030	RK	HMR	23MAR11	INSULATION DIA: 表参照 SEE TABLE		
LTR	変更 REVISION RECORD	DR	CHK.	DATE	FORM TYPE: P.I.D.G		
DR	2/6/13	DE	J. Suzuki		FORM NO: JAC-171508		
CHK	Y. Takano 1/13	APP	J. Bato 1/13		REV: K		
				TOLERANCE EXCEPT AS NOTED: ±0.4 / ±1.0		SCALE: 4-1	
				FILE NAME: 丸型端子 WIRE TERMINAL ASSEMBLY			

C-171508

単位: 純 寸法 公差 単位: 純 寸法 公差 DO NOT SCALE PRINT