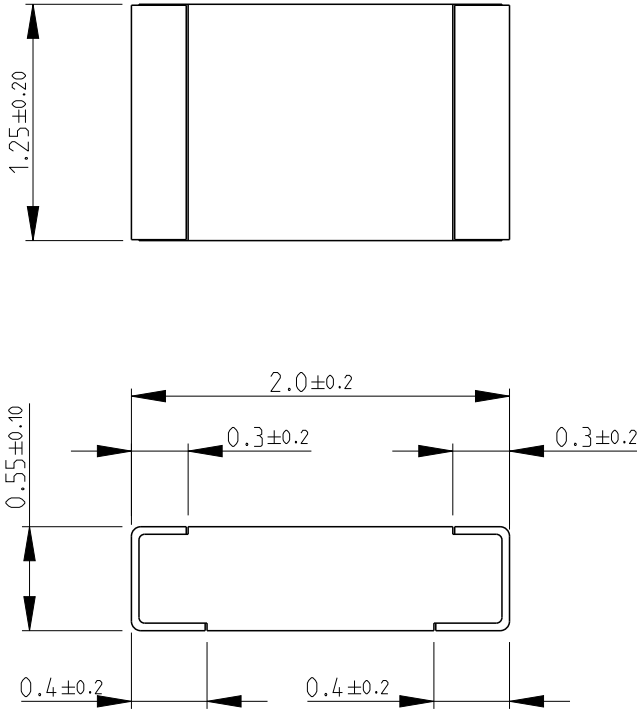
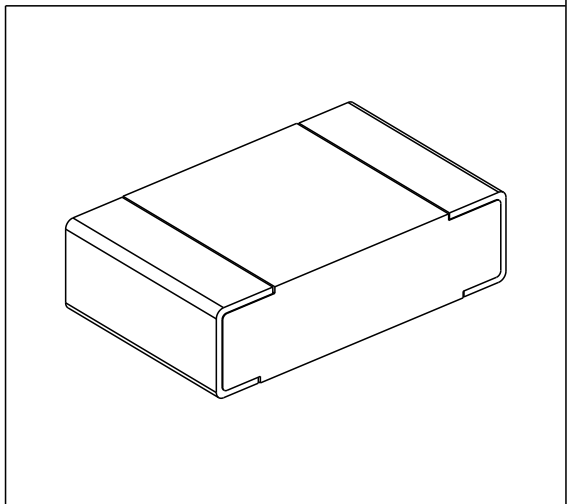


LOC	DIST	REVISIONS					
E	B	P	LTR	DESCRIPTION	DATE	DWN	APVD
		BA2		REVISED PER ECO-11-005150	29MAR2011	RK	HMR
		BA3		ECR-16-000106	05JAN2016	KR	TN

FOR FURTHER INFORMATION SEE DATA SHEET FOR  
CPF SERIES-THIN FILM PRECISION CHIP RESISTORS



RoHS Compliant




2008

RELEASED FOR PUBLICATION

ALL RIGHTS RESERVED.

© COPYRIGHT 2008

THIS DRAWING IS UNPUBLISHED.

DIMENSIONS: mm	DWN	SUBHASH.M	22-Sep-08	MATERIAL	-	FINISH	-
	CHK	PRAKASH.S	22-Sep-08	 TE Connectivity			
TOLERANCES UNLESS OTHERWISE SPECIFIED:	APVD	STEPHEN.P	22-Sep-08				
	0 PLC	$\pm 0.2$	PRODUCT SPEC	-	SIZE	CAGE CODE	DRAWING NO
1 PLC	$\pm 0.1$	APPLICATION SPEC	-	A 4	00779	© = 1614883	-
2 PLC	$\pm -$	WEIGHT	-	CUSTOMER DRAWING			
3 PLC	$\pm -$			SCALE	25:1	SHEET	1 OF 1
4 PLC	$\pm -$						REV BA3
ANGLES	$\pm 5^\circ$						

