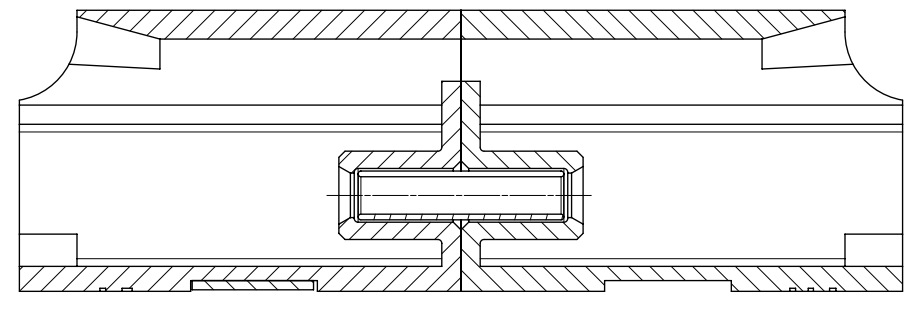
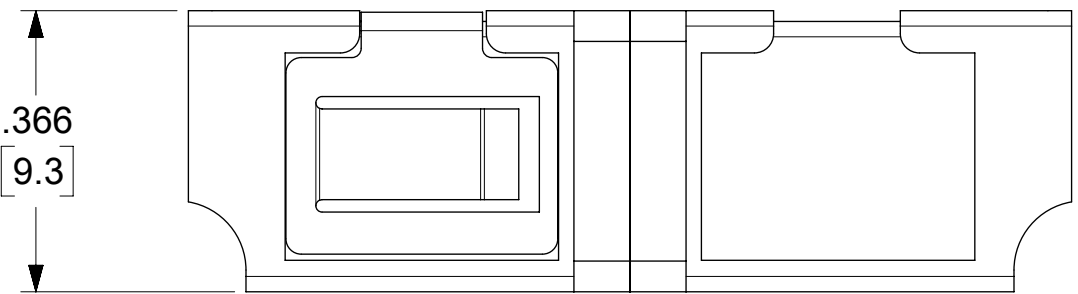
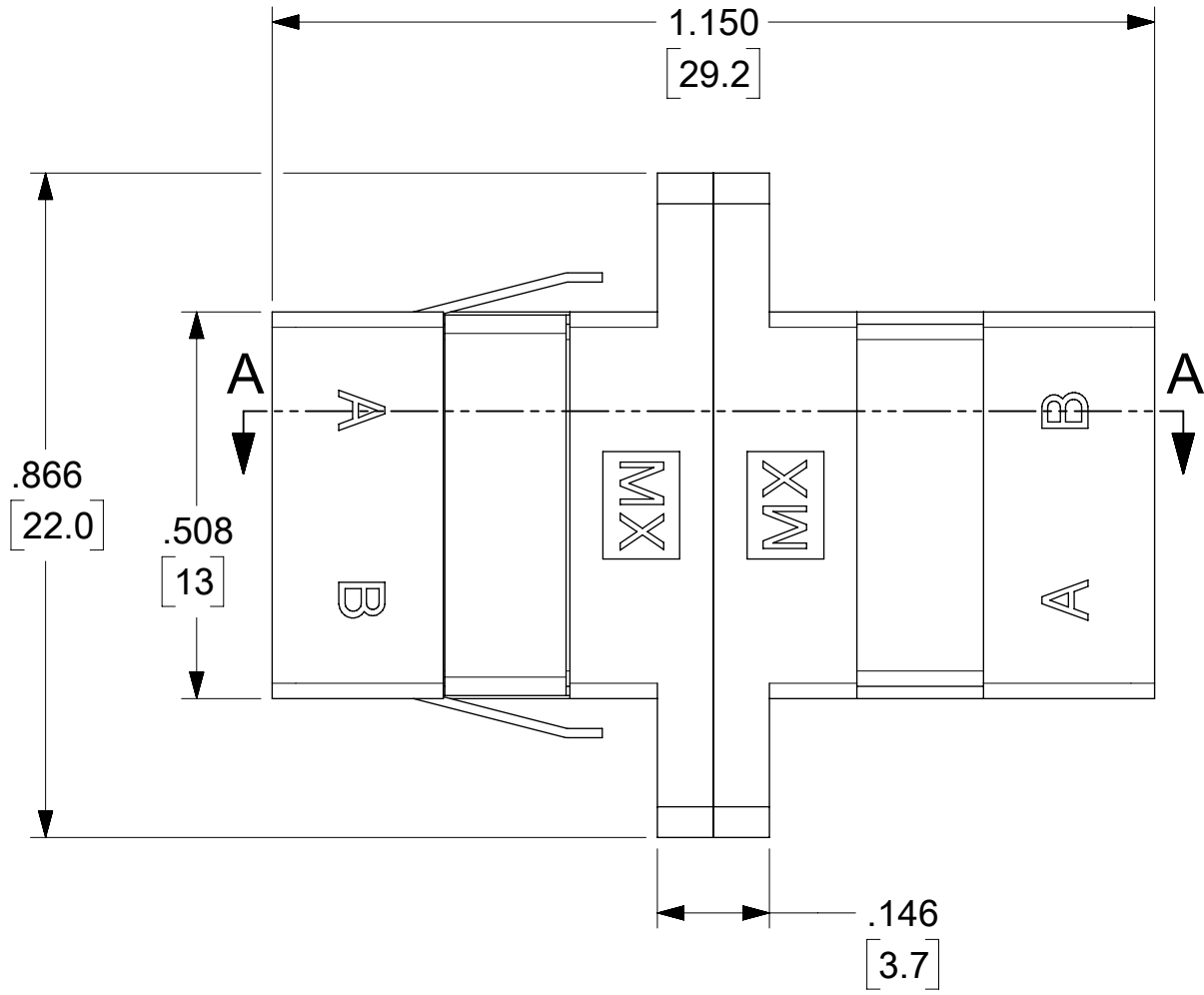
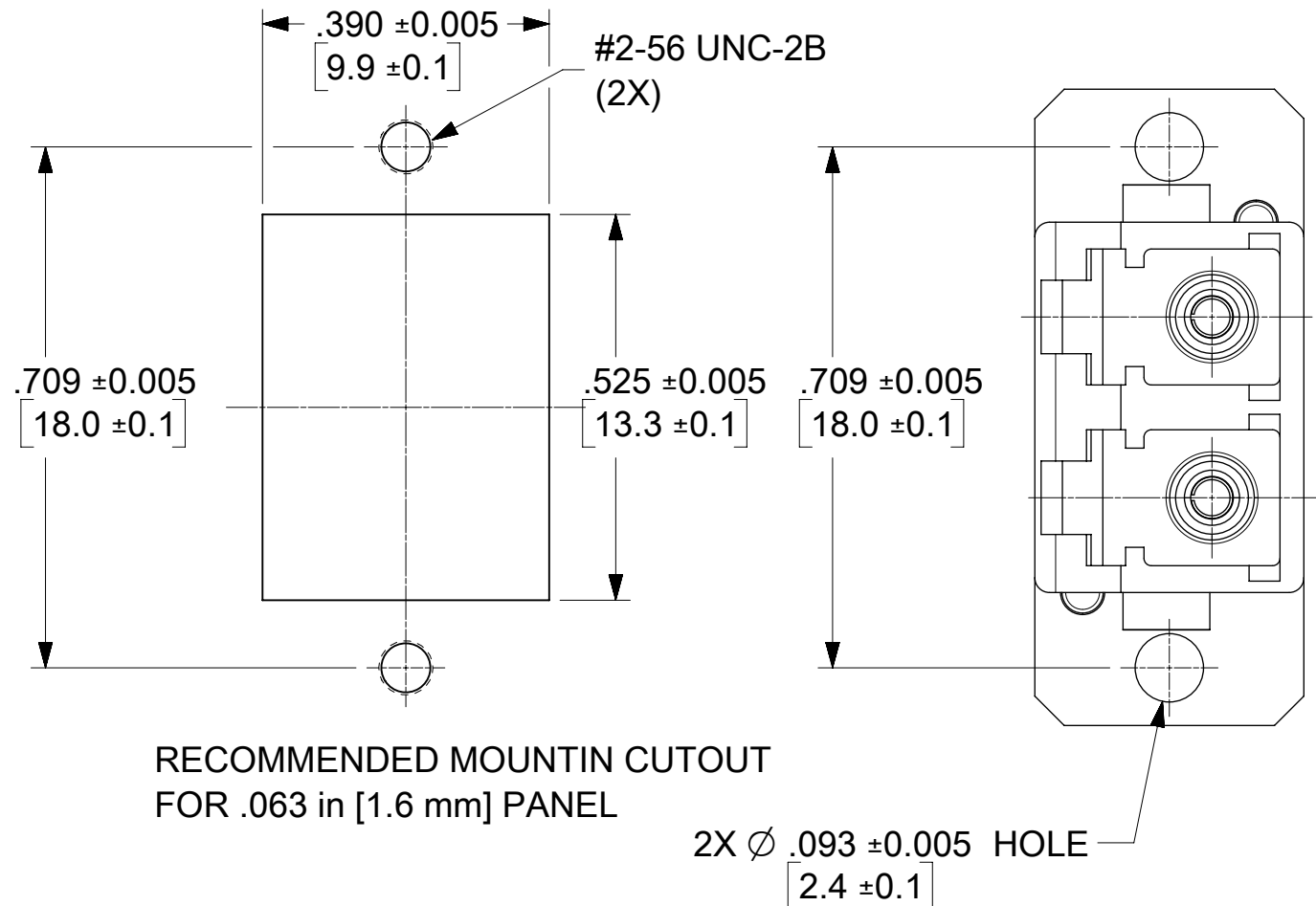
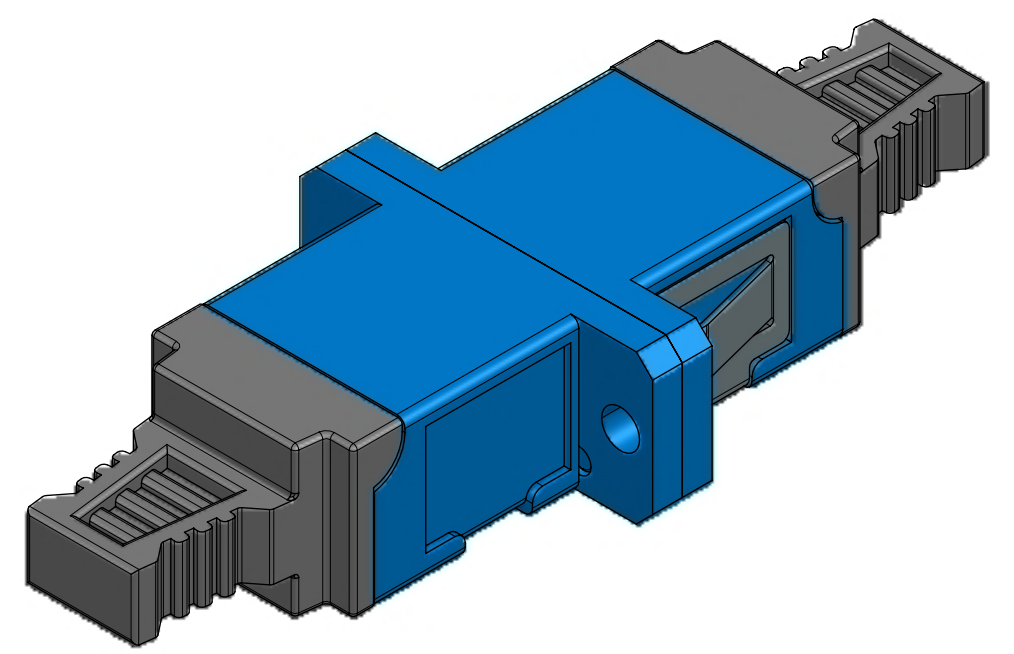
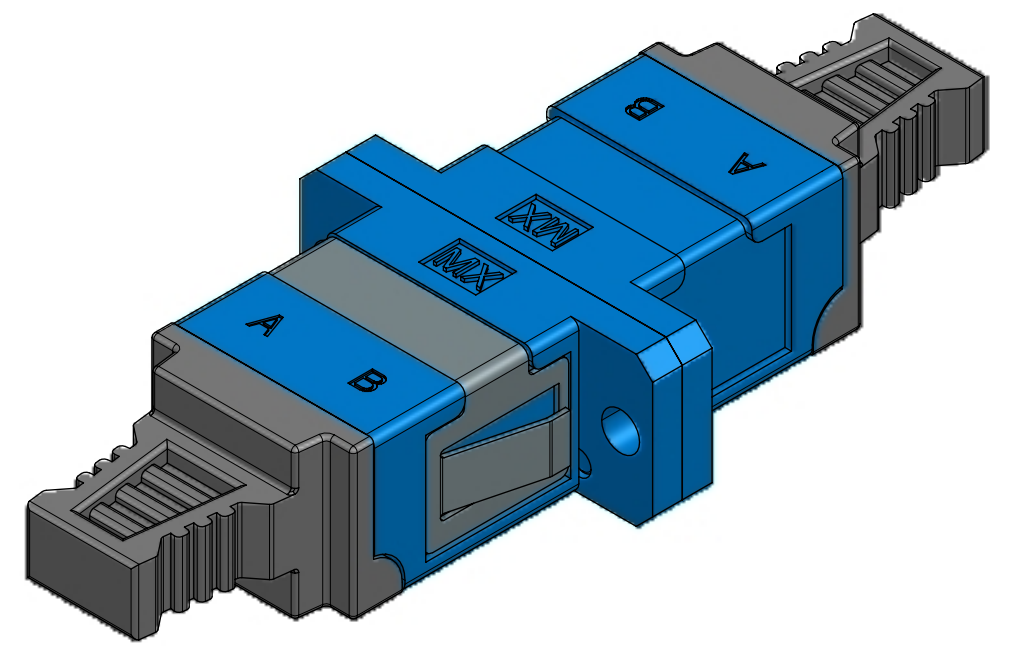


LC ADAPTER P/N	ADAPTER COLOR	LC SLEEVE MATERIAL
1061261300	BLUE	ZR
1061261310 (see note 3)		
1061260310	BEIGE	
1061260320 (see note 3)		
1061261350	GREEN	
1061261320 (see note 3)		
1061261330	BEIGE	
1061261340	BLACK	



SECTION A-A



- NOTES:
1. ALL DIMENSIONS WITHOUT TOLERANCE ARE FOR REFERENCE ONLY.
 2. DUST CAPS ARE SHOWN IN ISOMETRIC VIEWS ONLY.
 3. P/NS 1061260320 & 1061261310 ARE BULK PACKED IN QUANTITIES OF 100 pcs.
P/N 1061261320 IS BULK PACKED IN QUANTITY OF 25pcs.

FUNCTIONAL SYMBOLS		THIS DRAWING CONTAINS INFORMATION THAT IS PROPRIETARY TO MOLEX ELECTRONIC TECHNOLOGIES, LLC AND SHOULD NOT BE USED WITHOUT WRITTEN PERMISSION		CURRENT REV DESC:		molex			
DIMENSION UNITS		SCALE		EC NO: 652962					
INCH/MM		4:1		DRWN: SKRISHNAMU01		PRODUCT CUSTOMER DRAWING			
GENERAL TOLERANCES (UNLESS SPECIFIED)		ANGULAR TOL ± °		CHK'D: WCHEN		DOCUMENT NUMBER			
4 PLACES ±		3 PLACES ± 0.005		APPR: WCHEN		SD-106126-X3X0			
DIVISIONAL SYMBOLS		1 PLACE ±		INITIAL REVISION:		DOC TYPE DOC PART REVISION			
3 PLACES ±		0 PLACES ±		DRWN: PGIBLIN		PSD 001 B			
DRAFT WHERE APPLICABLE MUST REMAIN WITHIN DIMENSIONS		THIRD ANGLE PROJECTION		APPR: IGUMIN		SHEET NUMBER			
C-SIZE		SERIES		MATERIAL NUMBER		CUSTOMER			
106126		SEE TABLE		1 OF 1					