



MAKER WORKS TECHNOLOGY INC

Technical support: support@makeblock.cc

www.makeblock.cc



:@Makeblock



: @Makeblock



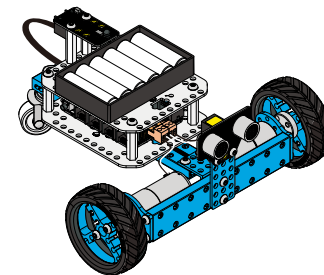
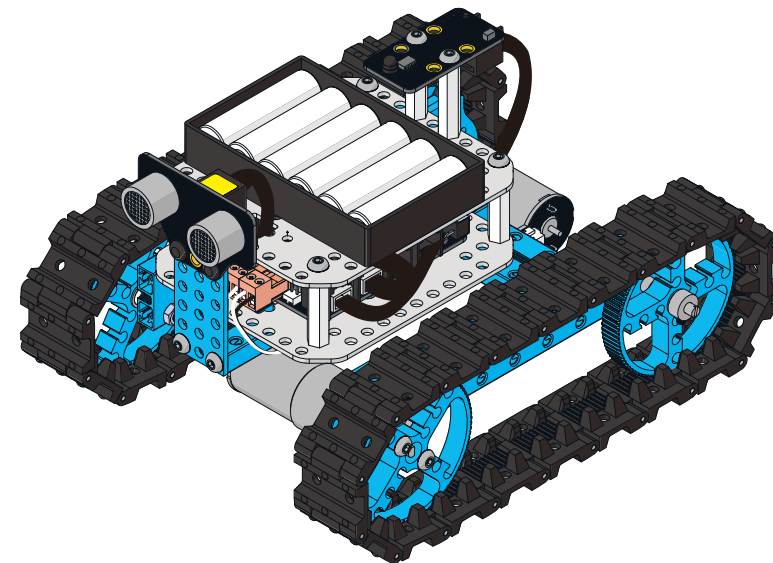
: +Makeblock



Starter Robot Kit **IR Version**

Robot Tank

Three-Wheeled Robot Car



Quick Guide

Warning: Keep this kit out of the reach of small children or animals. Small parts may cause choking or serious injury if swallowed.

Makeblock Starter Robot Kit contains mechanical parts and electronic modules for you to start exploring the robot world which can be used to build a robot tank or a three-wheel robot car. It is also a great tool to learn mBlock and Scratch programming.



Please visit

<http://learn.makeblock.cc/starter-robot-kit/>

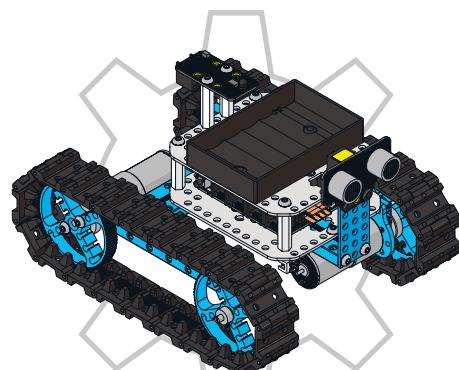
to view the build and programming guide.



Parts List



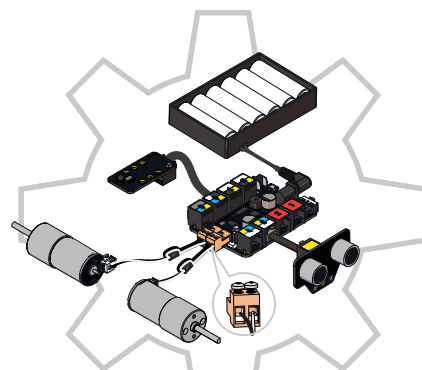
Check all components in parts list, please contact Makeblock or the distributor if any component lacked.



Build the Robot Tank



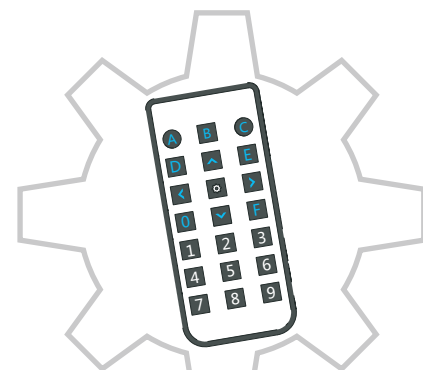
Follow our manual to build the Robot Tank.



Wiring



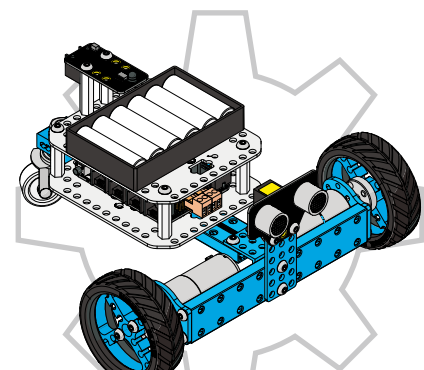
Do wiring. Install batteries for your robot and remote control.



Remote control



Turn on the power of your robot, control your robot with remote control. **Now it's time to play your robot!**



Build three-wheeled Robot Car



Try another style: Follow our manual to build the Three-wheeled Robot Car.



Programming Guide—Further exploration

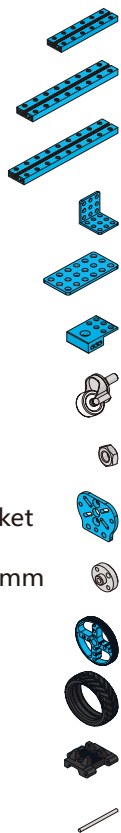


Advanced player can re-program to the robot by mBlock or Arduino to explore the wonderful robotic world.

Parts List

Pictures for reference only

- 1× Beam 0824-96
- 1× Beam 0824-128
- 2× Beam 0824-144
- 1× Bracket 3×3
- 1× Plate 3×6
- 1× Bracket P3
- 1× Caster Wheel
- 1× Nut M8
- 2× DC Motor-25 Bracket
- 2× Shaft Connector 4mm
- 4× Timing Pulley 90T
- 2× Tire 68.5×22mm
- 36× Track
- 36× Track Axle



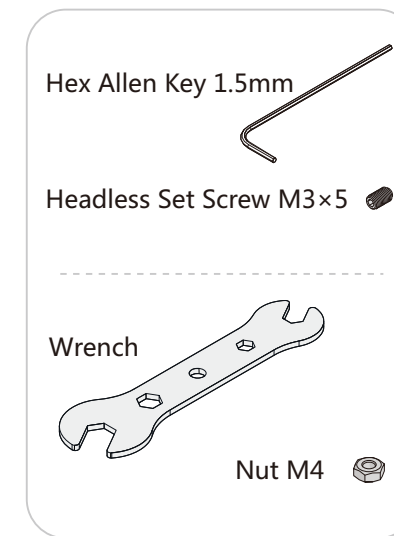
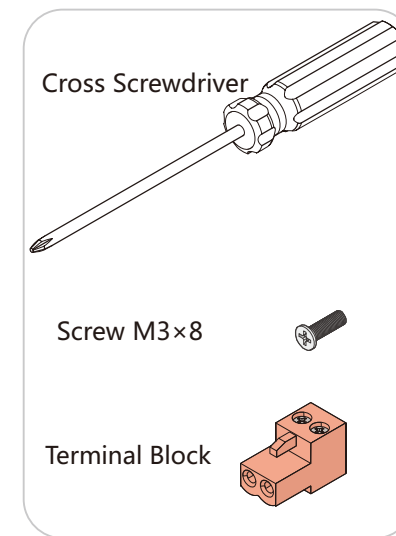
- 2× Threaded Shaft 4×39mm
- 2× Shaft Collar 4mm
- 4× Flange Bearing 4×8×3mm
- 1× Hex Screwdriver
- 1× Cross Screwdriver
- 1× Hex Allen Key 2.5mm
- 2× Hex Allen Key 1.5mm
- 1× Wrench
- 20× Screw M4×8
- 12× Screw M4×14
- 4× Screw M4×22
- 12× Nut M4
- 4× Headless Set Screw M3×5
- 4× Screw M3×8
- 6× Plastic Ring 4×7×2mm
- 6× Nylon Stud M4×30



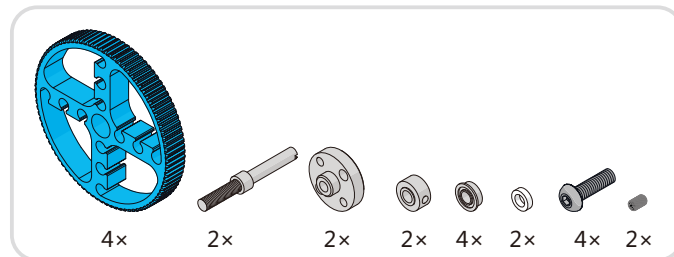
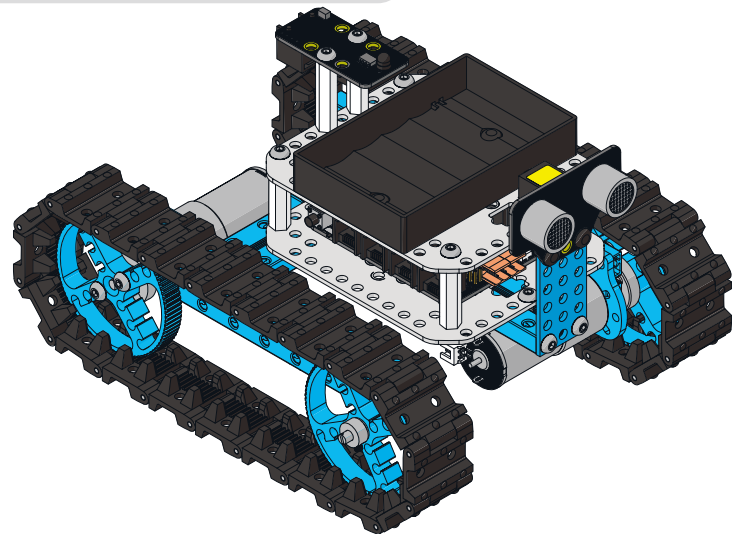
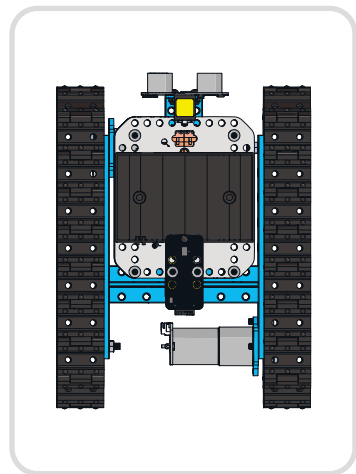
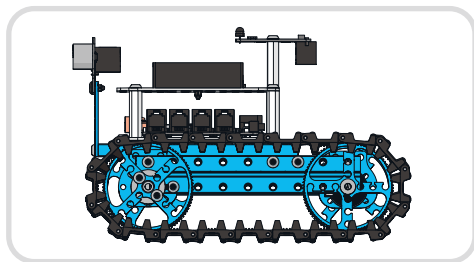
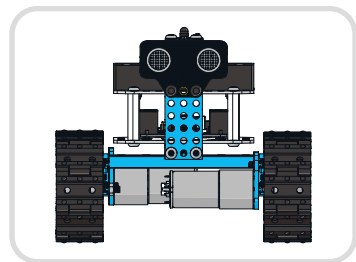
- 2× BaseBracket
- 1× Battery Holder for (6) AA
- 2× DC Motor-25
- 2× Terminal Block
- 2× Motor Cable
- 2× Ferrite Ring
- 1× Makeblock Orion
- 1× Me Ultrasonic Sensor
- 1× Me Infrared Receiver Sensor
- 1× Me IR Remote Controller
- 1× Micro USB cable
- 1× 6P6C RJ25 Cable-20cm
- 1× 6P6C RJ25 Cable-35cm



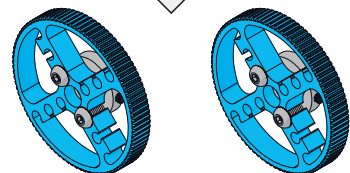
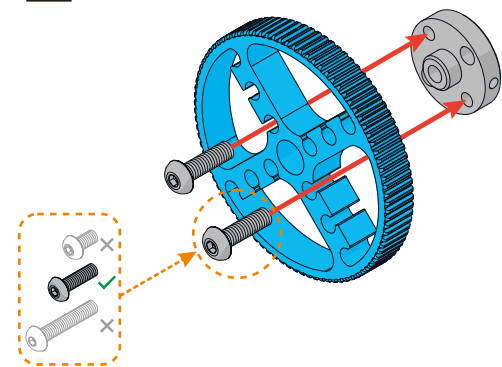
Tool Tips



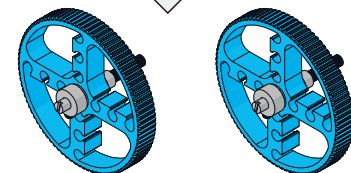
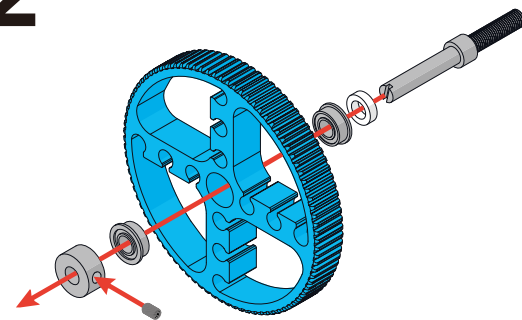
Build the Robot Tank

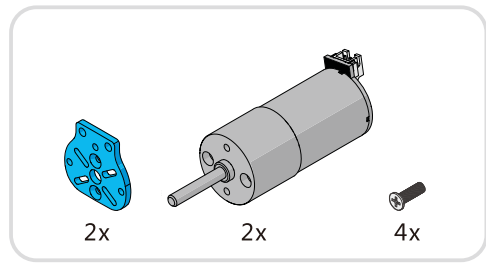


1

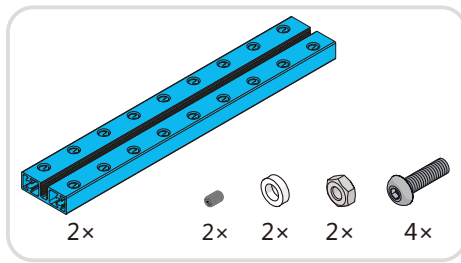
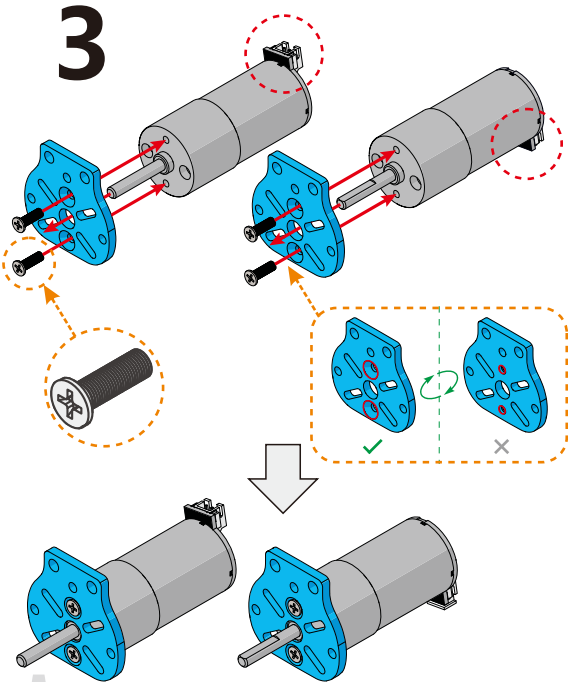


2



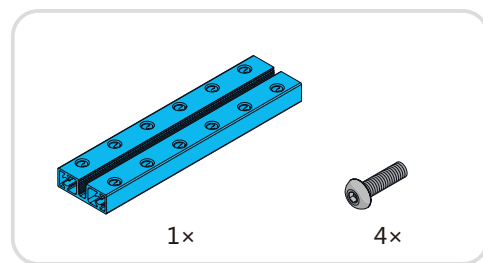
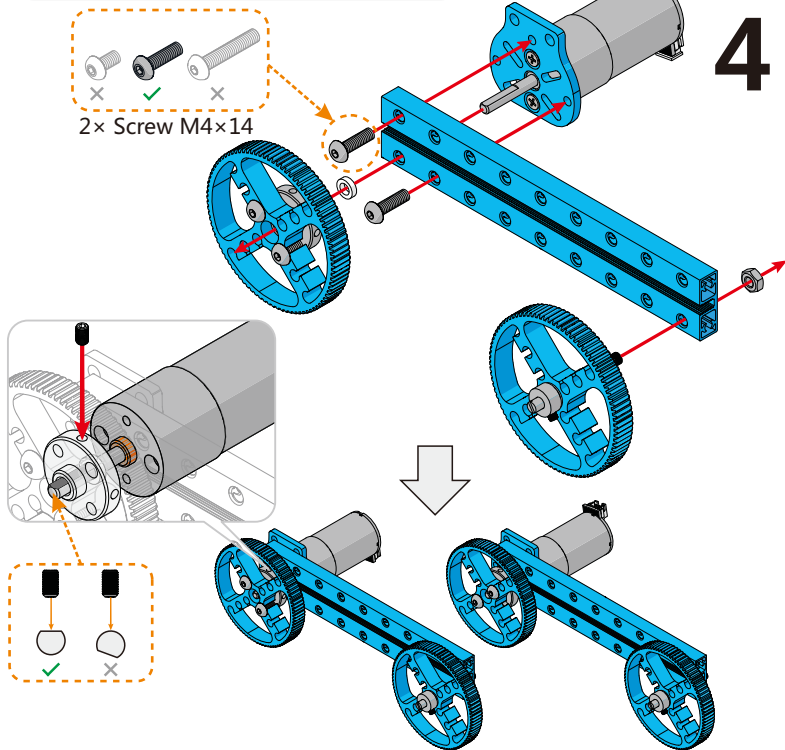


3

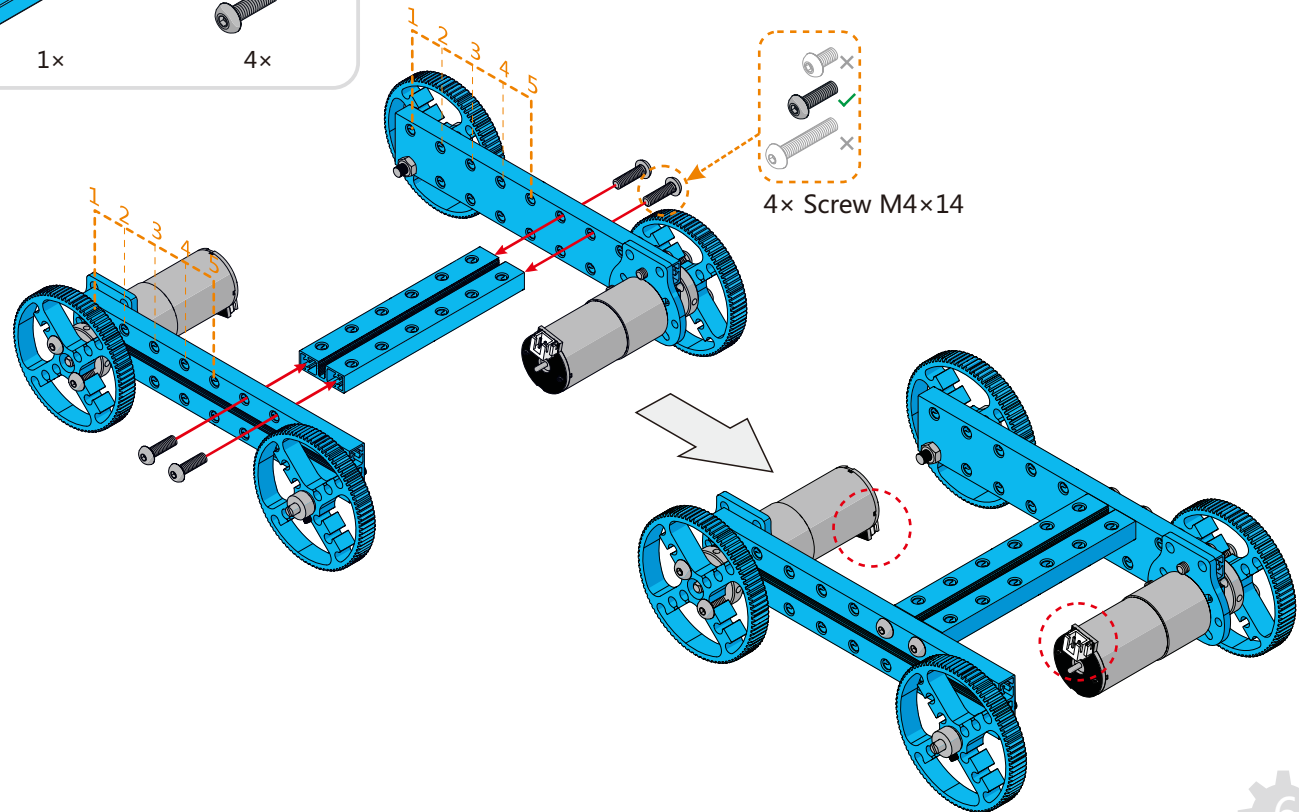


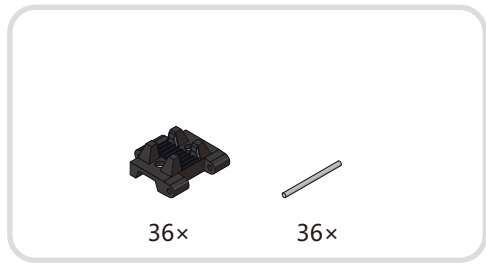
Tips: Identify the right mechanical parts from similar ones with different hole quantity included.

4

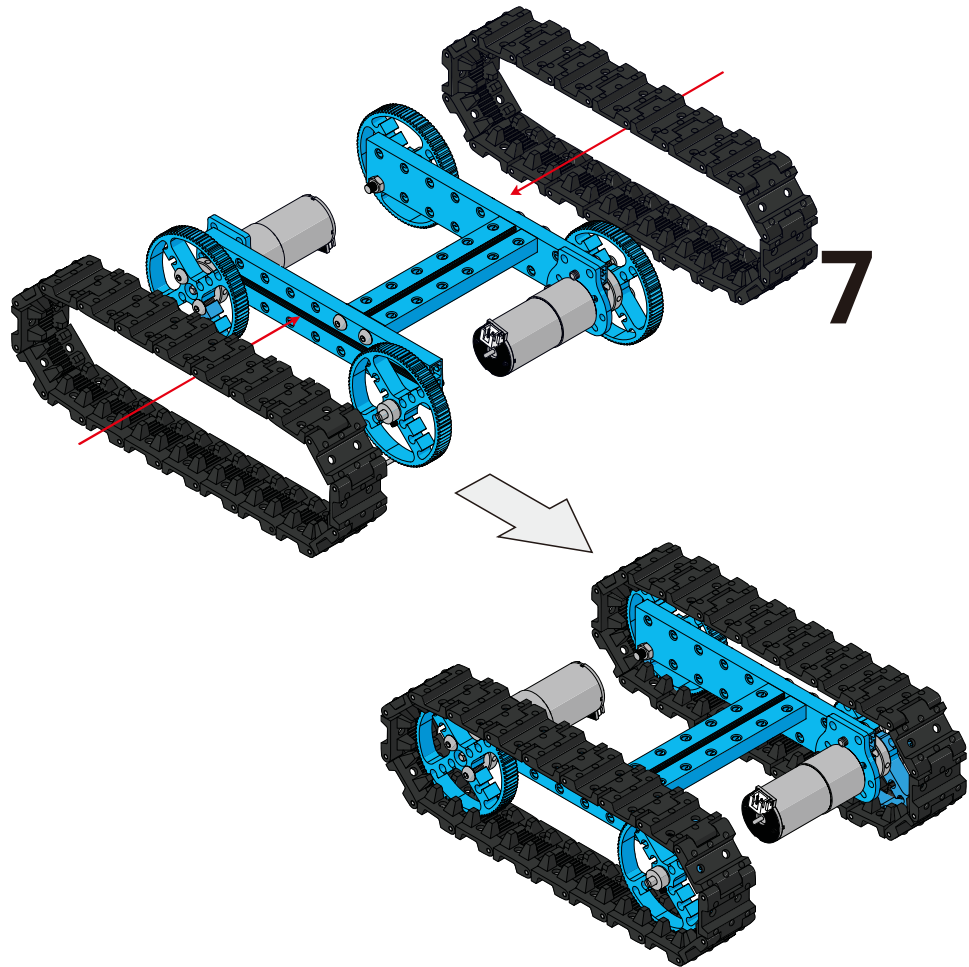
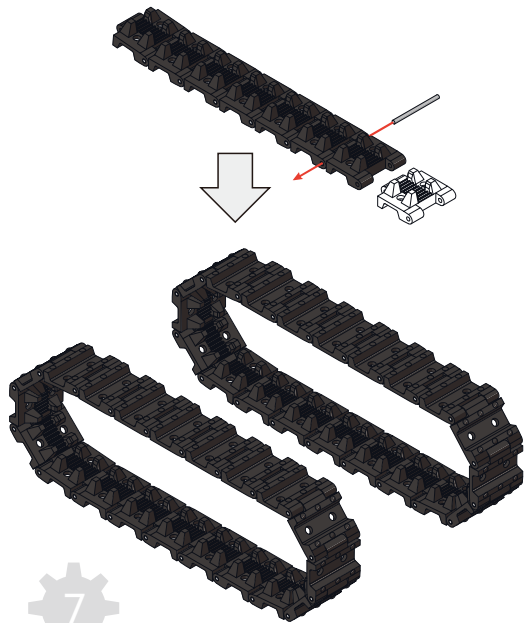


5

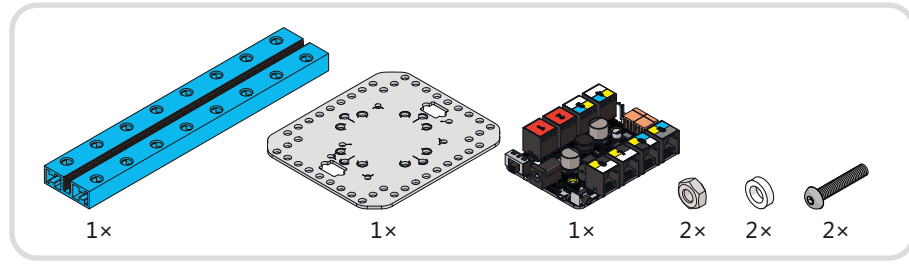




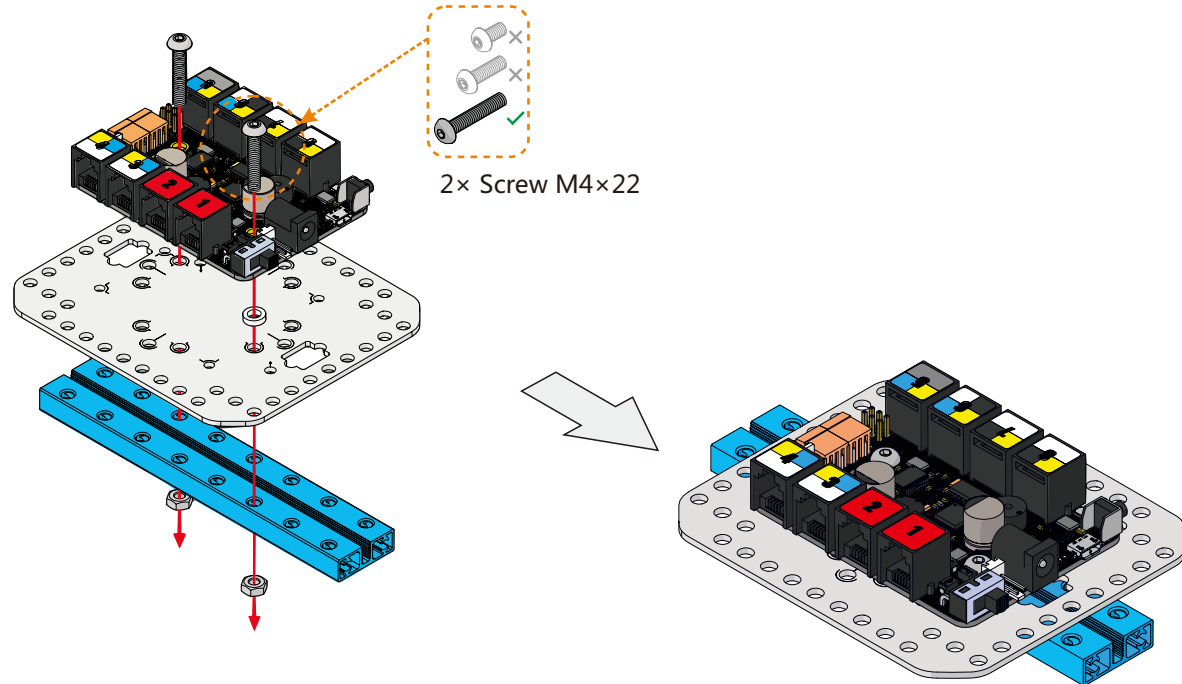
6

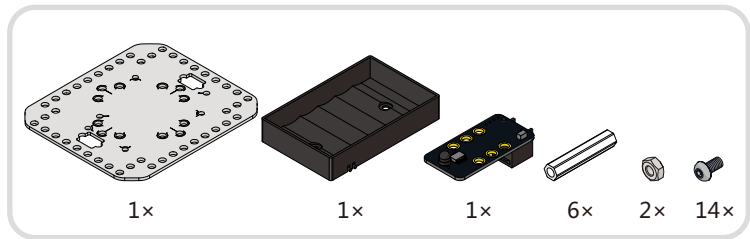


7

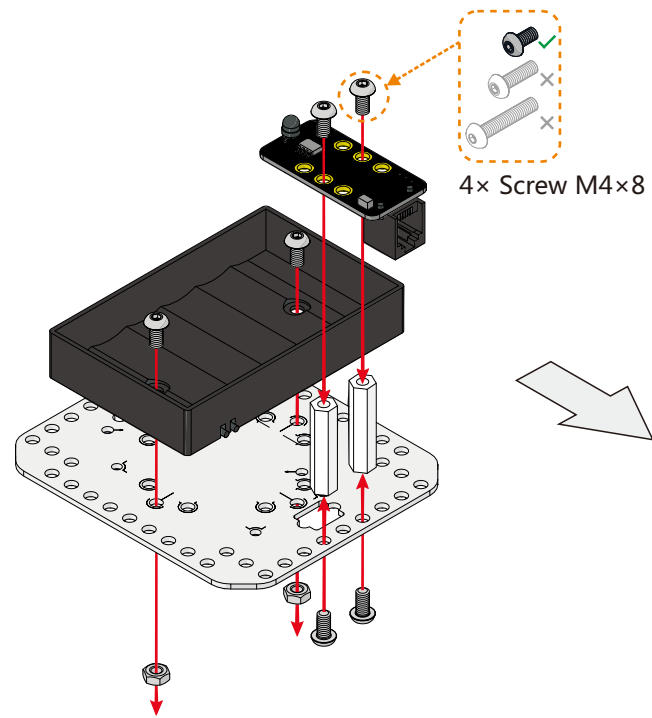


8

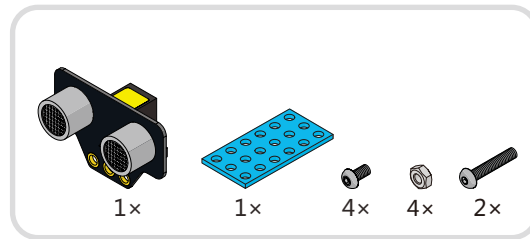
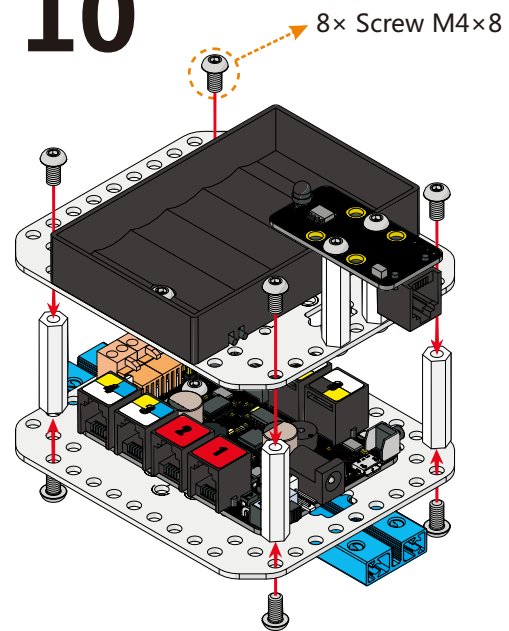




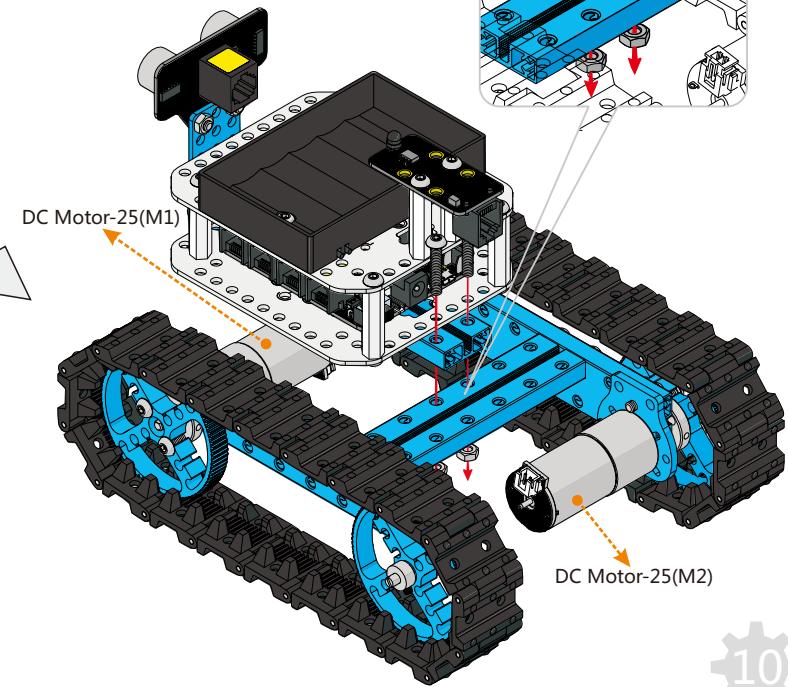
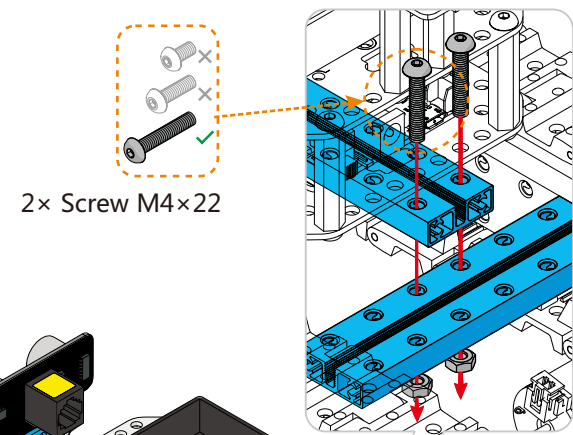
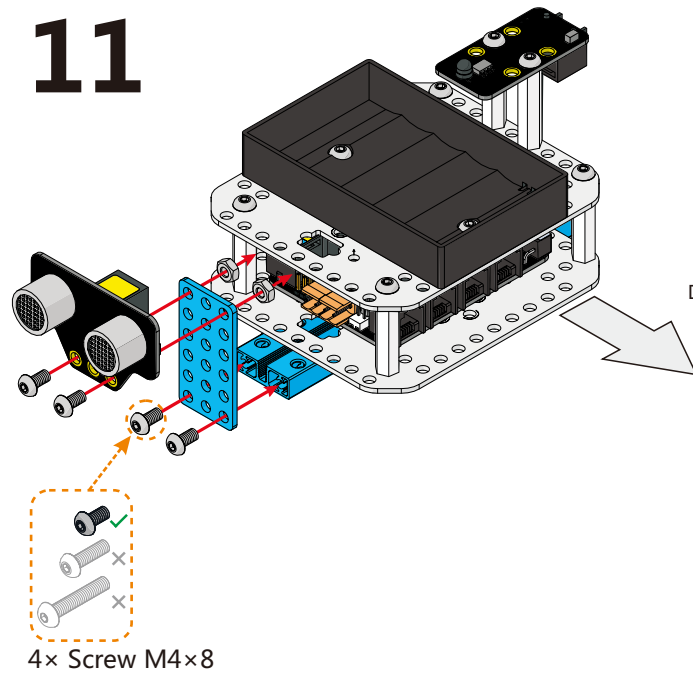
9



10

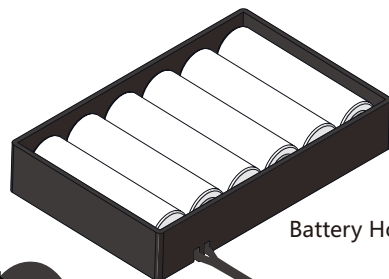
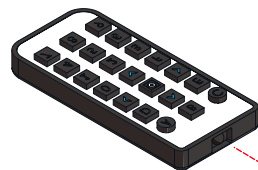


11



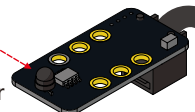
Wiring

Me IR Remote Control(CR2025 battery,**not included**)

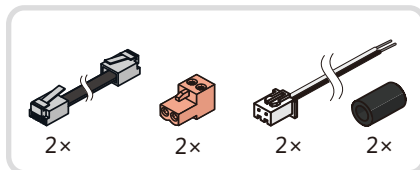


Battery Holder(6 x AA batteries , **not included**)

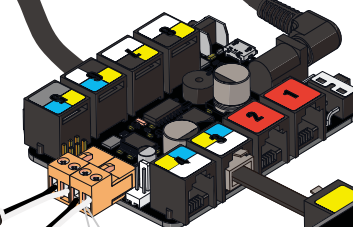
Me Infrared Receiver Sensor



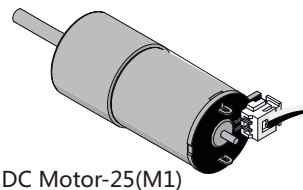
To reduce the electromagnetic interference, please add ferrite ring for the wires which connected to motors.



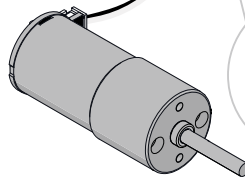
Makeblock Orion



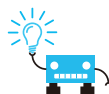
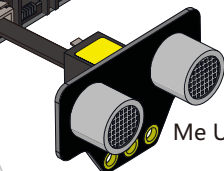
DC Motor-25(M1)



DC Motor-25(M2)



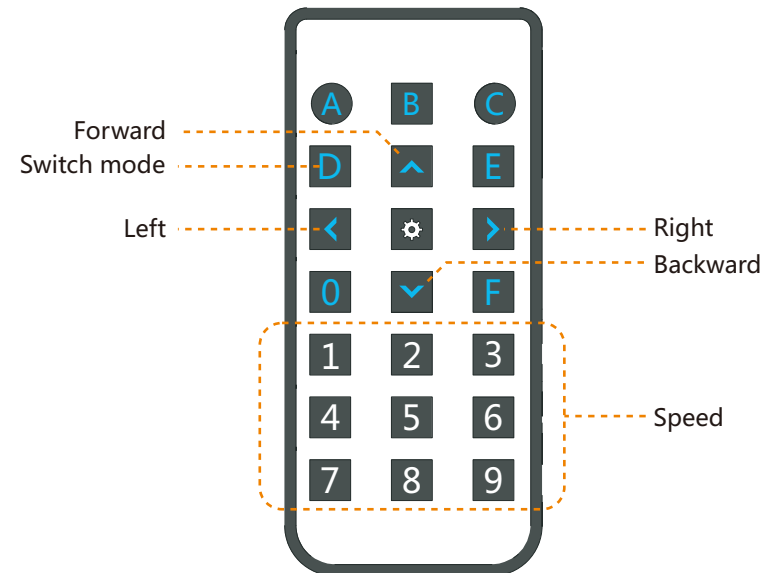
Me Ultrasonic Sensor



You may need to switch the order of two wires to correct the rotation direction.

Working with remote control

—Construct It Once, Control It Everywhere



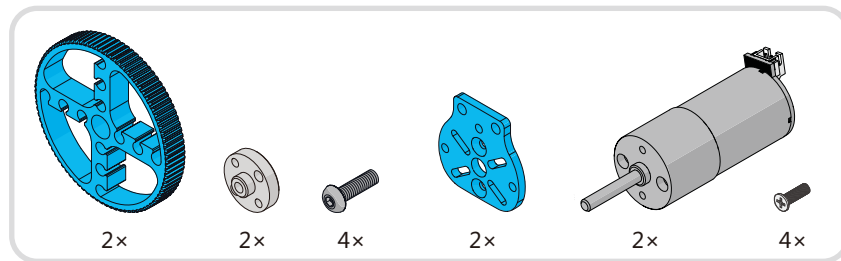
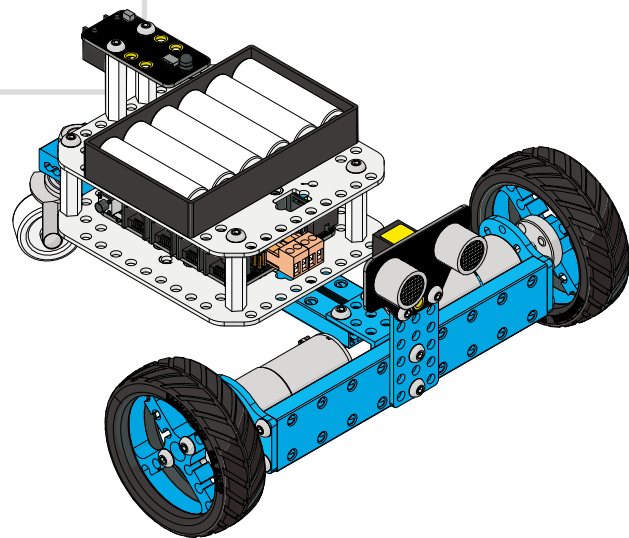
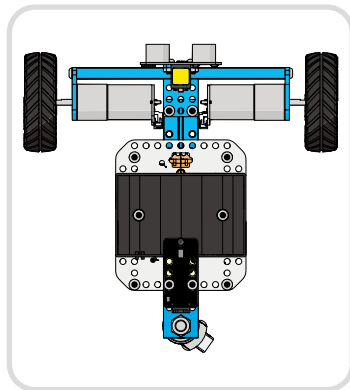
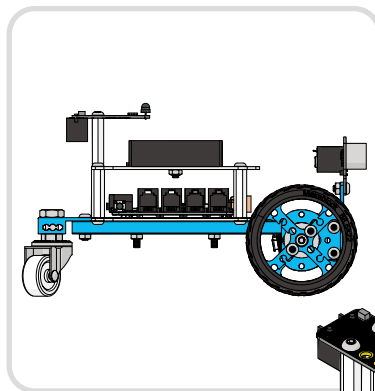
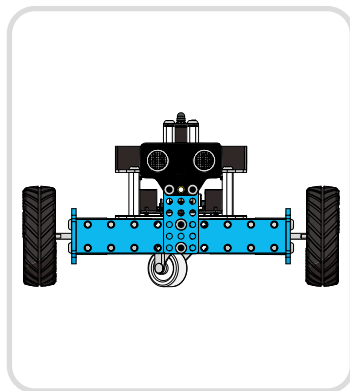
Remote control :
Press key **D** to switch modes

Manual mode :
Press direction keys for car direction and number keys for speed.

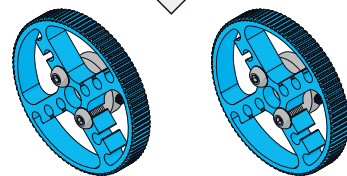
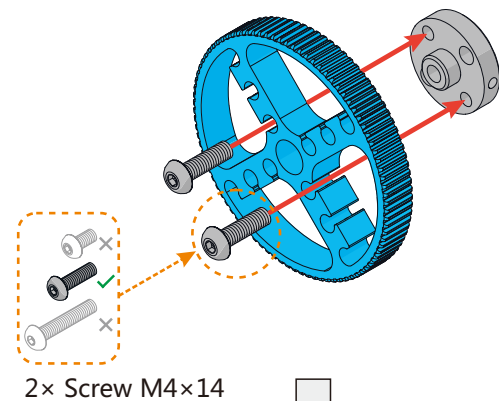
Ultrasonic obstacle avoidance mode:
The car will run and avoid obstacle automatically. No response when press any keys until you switch mode.

Now it's time to play your robot!

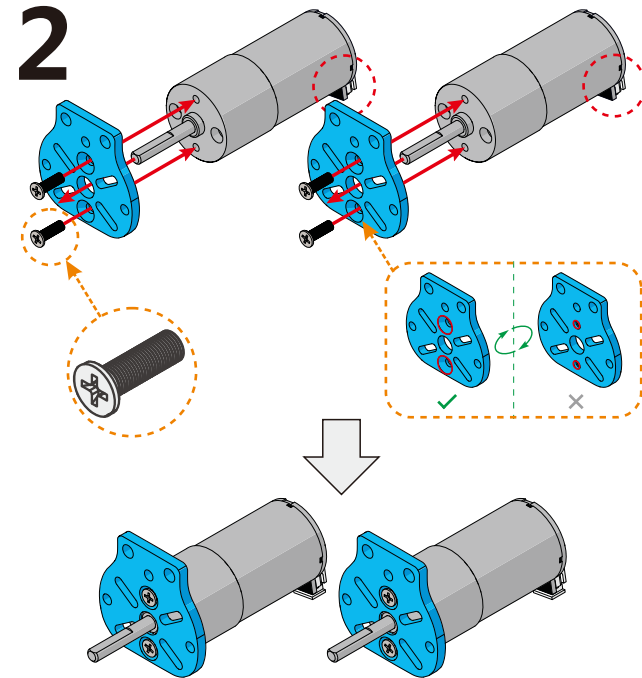
Build three-wheeled Robot Car

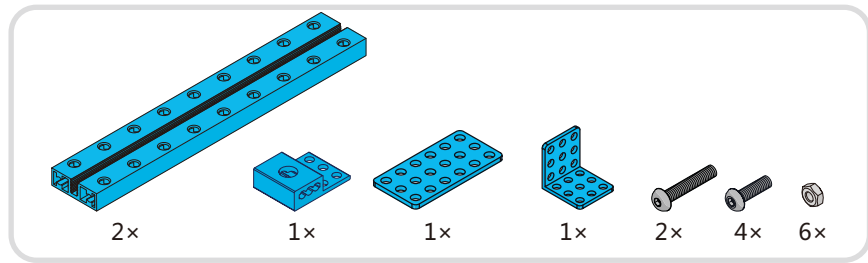


1

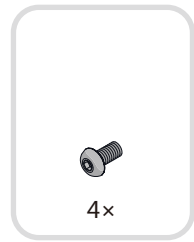
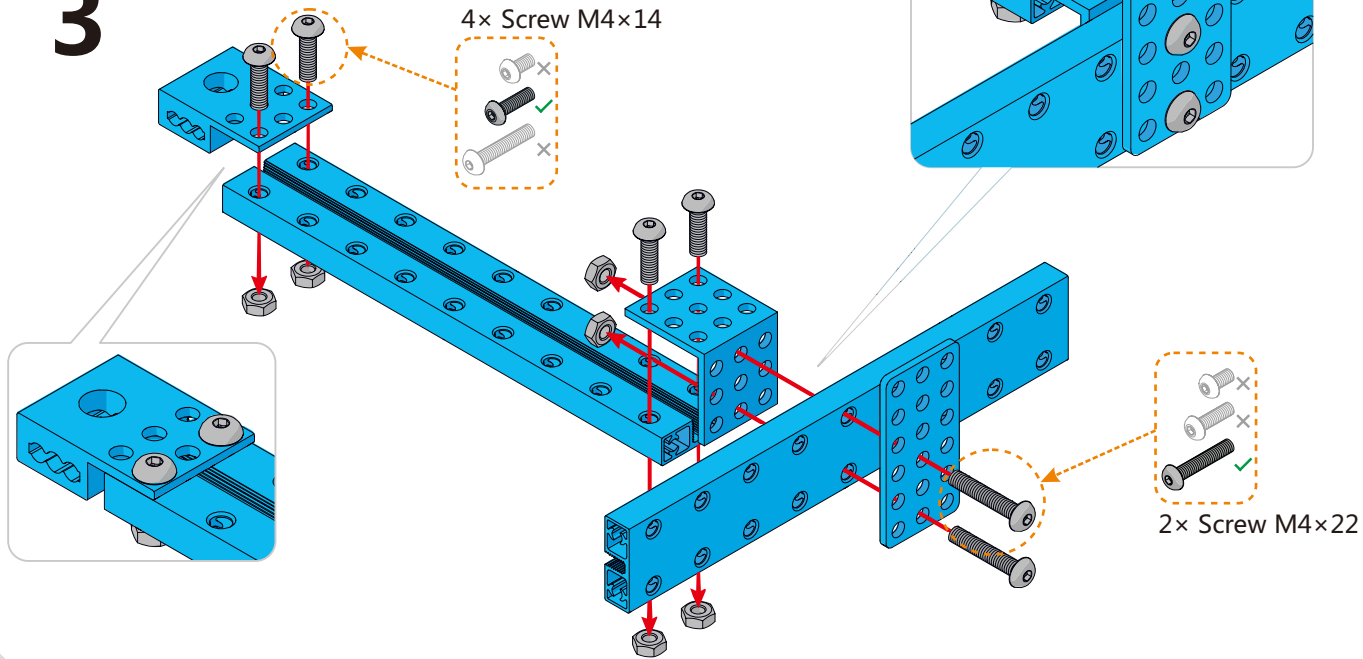


2

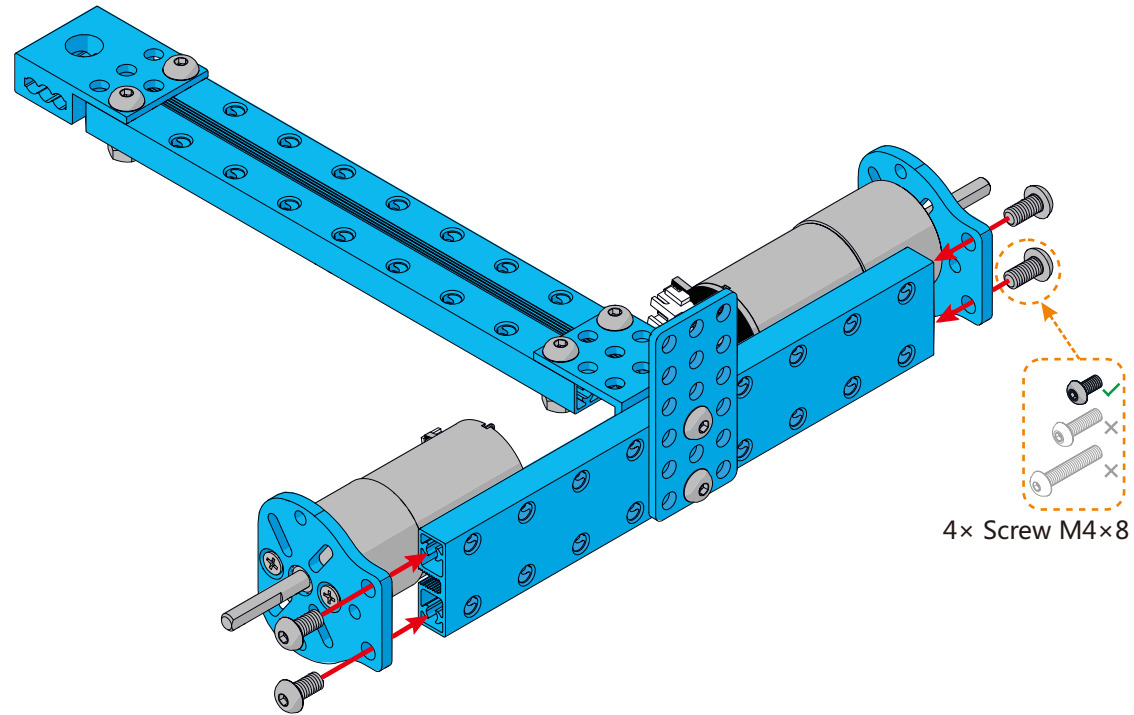


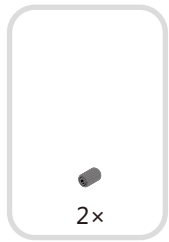


3

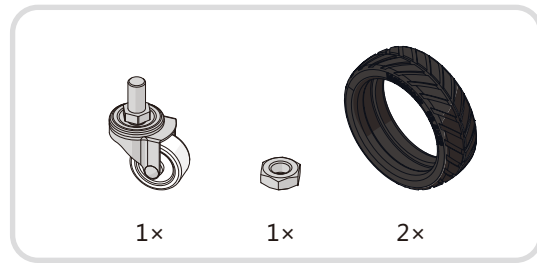
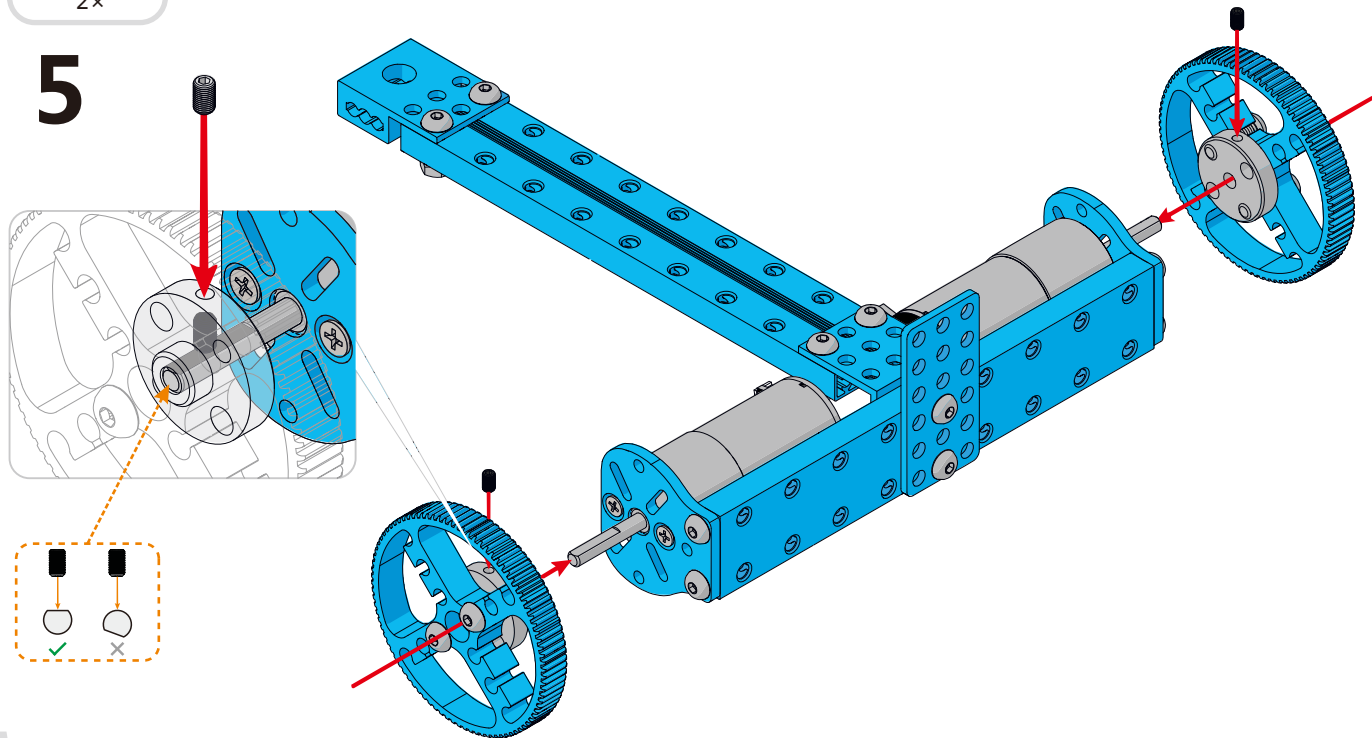


4

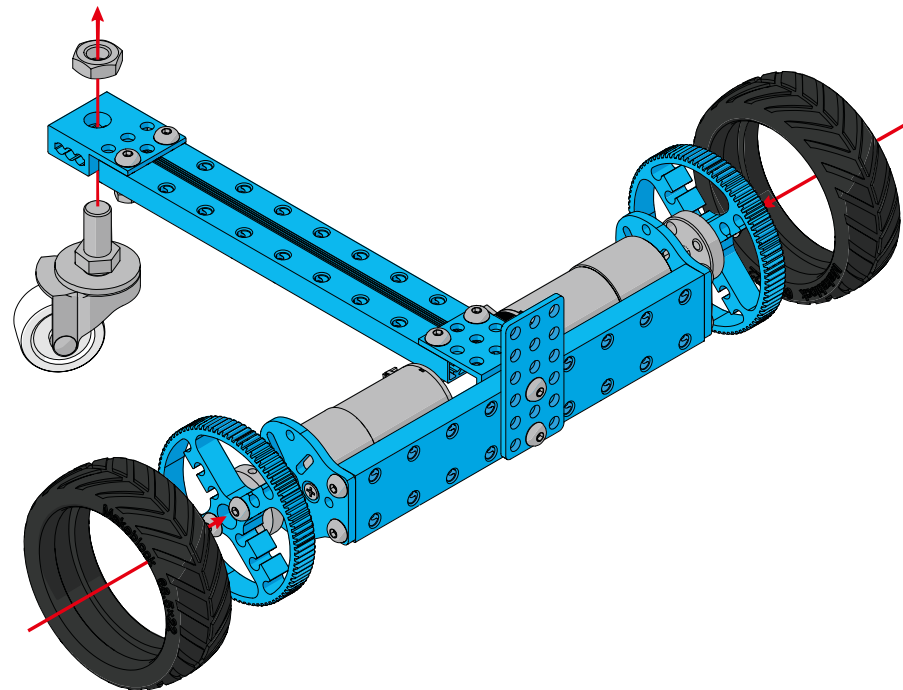


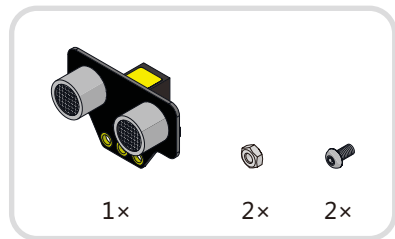


5

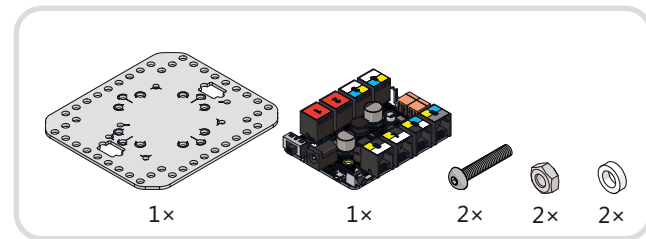
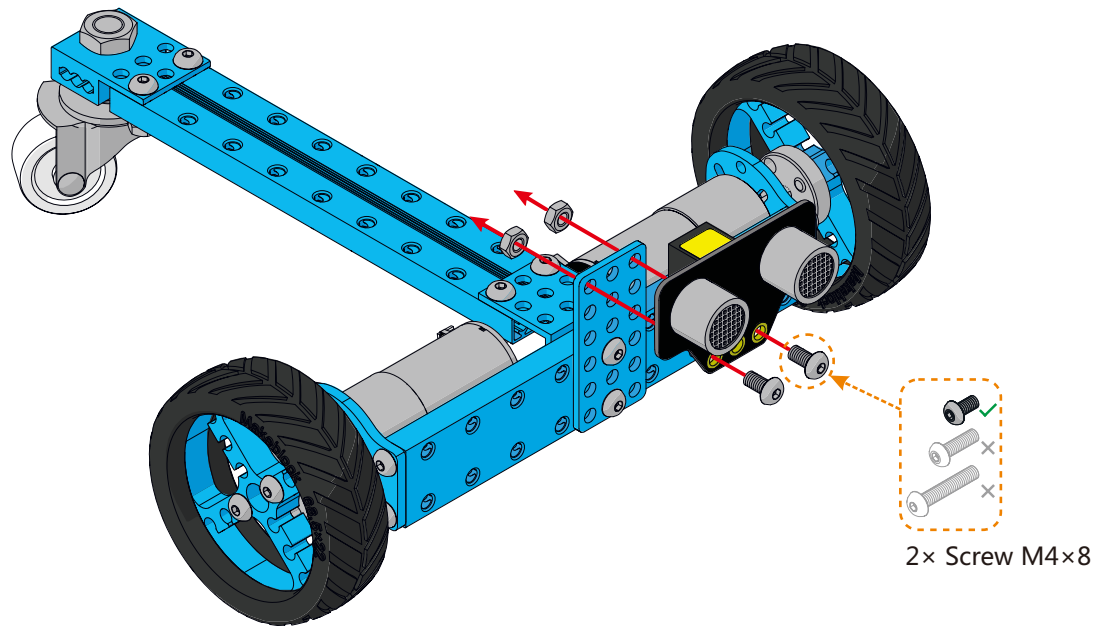


6

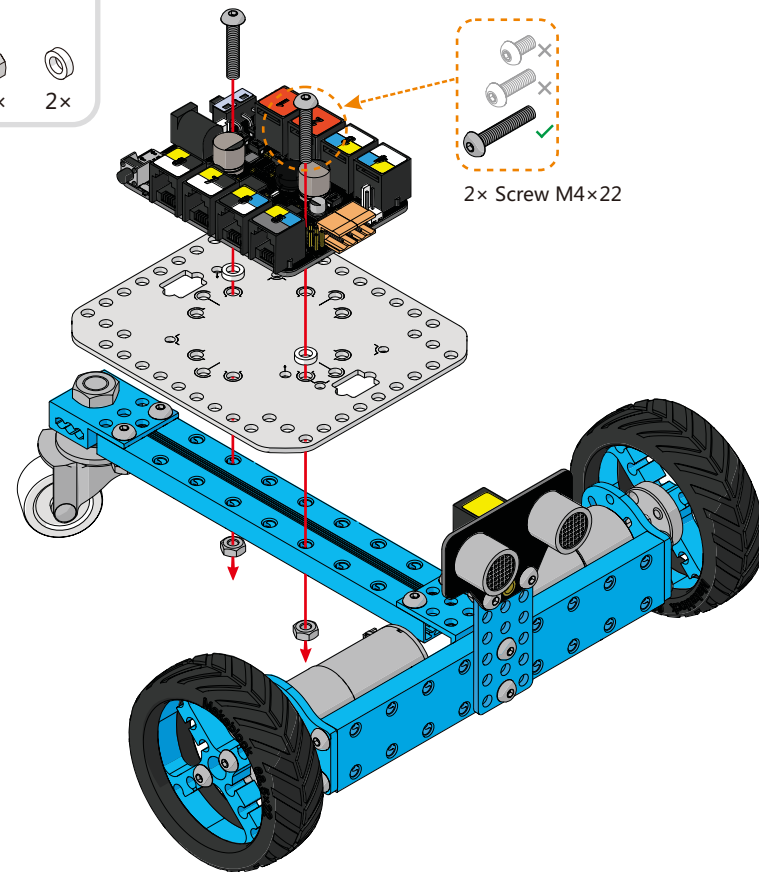


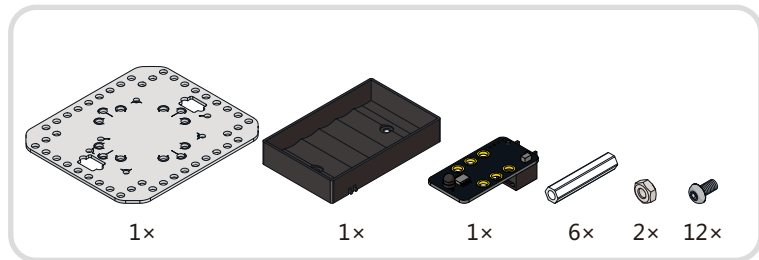


7



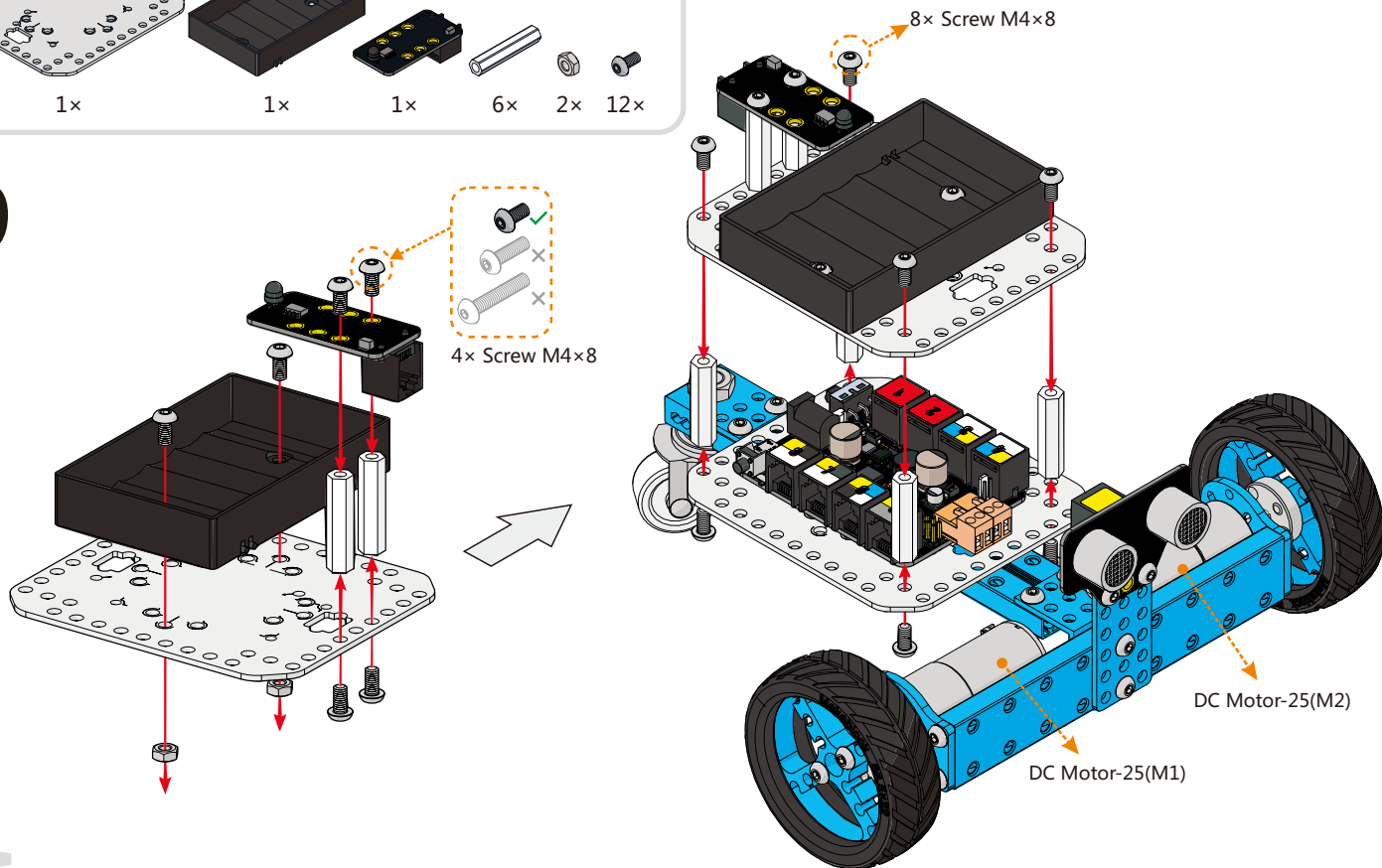
8





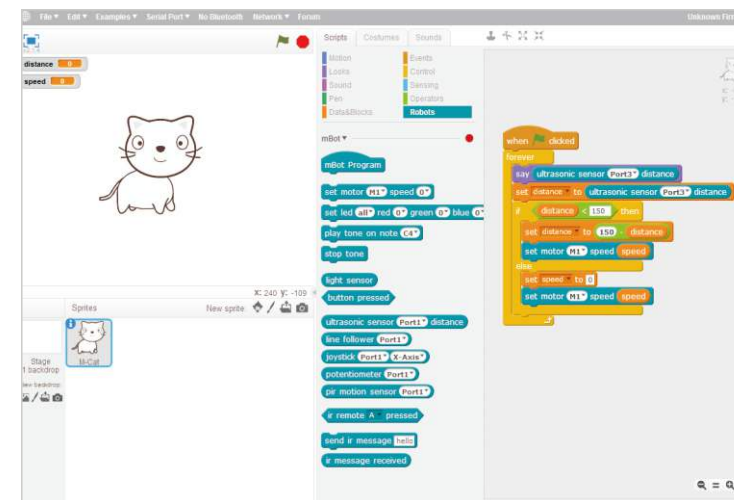
Please follow page 11 for wiring and remote control.

9



Programming--Further exploration

Working with mBlock--Hack the Physical World



The Starter Robot Kit support mBlock perfectly which allow you re-programming your robot by simply drag and joint the blocks of mBlock. No more difficult coding.

mBlock is a free modified version of Scratch 2.0 developed by MIT Media Lab, mBlock add some hardware-related blocks in the original Scratch, with these blocks, users can read sensors, control motors and even a whole robot.

Besides blocks for the basic microcontroller functionalities, analog and digital writes and reads, PWM outputs. There are also blocks for each specific electronic modules, such as ultrasonic sensor, temperature sensor, light sensor, DC motor driver, stepper driver, etc. With these blocks, it's simple to interact with many kinds of electronic modules.


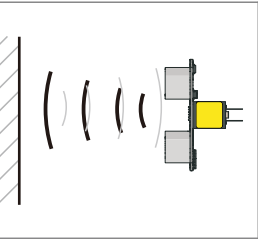



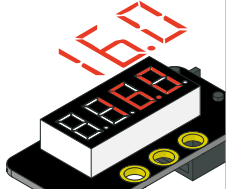





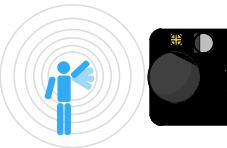


Visit the following URL for more details:
<http://learn.makeblock.cc/learning-scratch>

Working with Arduino IDE --Learn Programming the Fun Way

Arduino is an open-source electronics prototyping platform based on flexible , easy-to-use hardware and software.The Arduino software consists of a development environment (IDE) and the core libraries. The IDE is written in Java and based on the Processing development environment.

Visit the following URL for more details: <http://learn.makeblock.cc/learning-Arduino>
 Download the library zip package: <https://github.com/Makeblock-official/Makeblock-Library/archive/master.zip>

Electronic modules on makeblock--Further exploration

	<p>Ultrasonic module works for measuring distance from 3cm to 400cm.</p>			<p>Me Sound Sensor can measure the volume. It can be used in some sound interactive projects, such as a voice operated switch.</p>	
	<p>Me 7-Segment Display is a display module with four digit tube which can show some data, such as speed, time, score etc.</p>			<p>Me Temperature Sensor is a stainless steel tube sensor which is used for measuring temperature.</p>	
	<p>Me RGB LED module contains four programmable RGB LEDs. Color of each LED can be set by editing components of red, green, and blue.</p>			<p>Me PIR Motion Sensor can detect infrared ray which derives from animals/humans in less than 6 meters.</p>	
	<p>Me Joystick is normally used to control the move direction of object.</p>		<p>see more on makeblock platform</p>		

Kits on Makeblock--Further exploration

