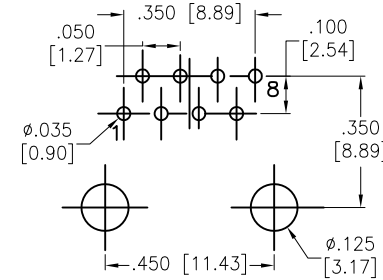
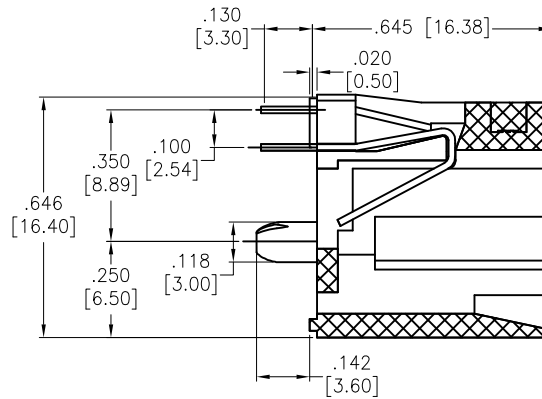
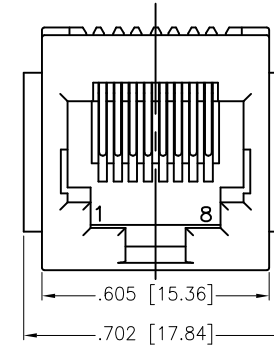
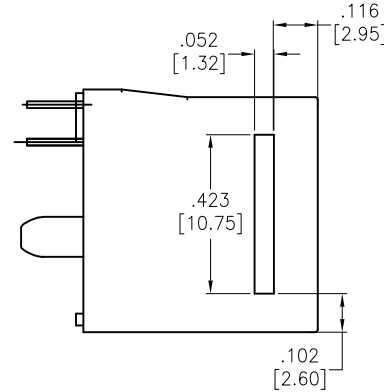
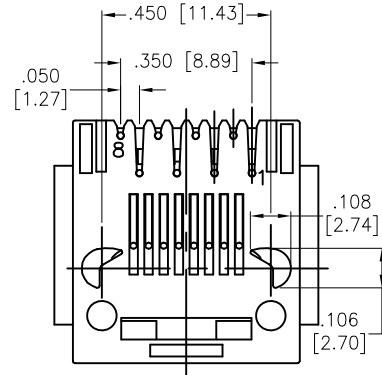


APPROVED: _____
 DATE: _____ TITLE: _____

Rev	AWO #	Description	Date	Appr
-		RELEASED	3/6/07	
A		REDRAWN	11/15/11	
B		UPDATED PLATING SPECS	3/19/13	
C		ADDED DIMENSIONS	11/8/16	SS
D		UPDATE DRAWING	3/11/22	WX/RL



RECOMMENDED PCB LAYOUT

SPECIFICATIONS:

Material:
 Insulator: PBT, rated UL 94V-0
 Insulator color: Black
 Contacts: .018" [0.46] Dia. Round, Phosphor Bronze
 Plating:
 Gold over Nickel underplate overall
 Electrical:
 Voltage rating: 150 VAC
 Current rating: 1.5 Amps max
 Contact Resistance: 20 mohms max
 Insulation resistance: 500 Mohms min
 Dielectric withstanding voltage: 1,000 VDC or AC Peak for 1 minute
 Temperature Rating:
 Operating temperature: -40°C to +85°C
 Environmental:
 Lead free, RoHS compliant.



UNLESS OTHERWISE SPECIFIED ALL DIMENSIONS ARE INCHES [MM]. TOLERANCES: EXCEPT AS NOTED		
INCHES	HOLES	
.X ± .10	ØX	± .10
.XX ± .020	ØXX	± .015
.XXX ± .015	ØXXX	± .010



909 Rahway Avenue,
 Union, NJ 07083
 Phone: 908-687-5000
 Fax: 908-687-5710

DRAWN	SS	3/6/2007
CHECKED		
APPROVED		
THIS DRAWING CONTAINS INFORMATION THAT IS PROPRIETARY AND SHOULD NOT BE USED WITHOUT PRIOR WRITTEN PERMISSION FROM ADAM TECH		

TITLE		MODULAR TELEPHONE JACK, 8P8C TOP ENTRY, 0.46MM ROUND PCB CONTACT	
SIZE	PART NO.	REV.	
X	MTJ-883X1	D	
REF:	S00005C	SCALE:	NTS
		SHEET	1 OF 1