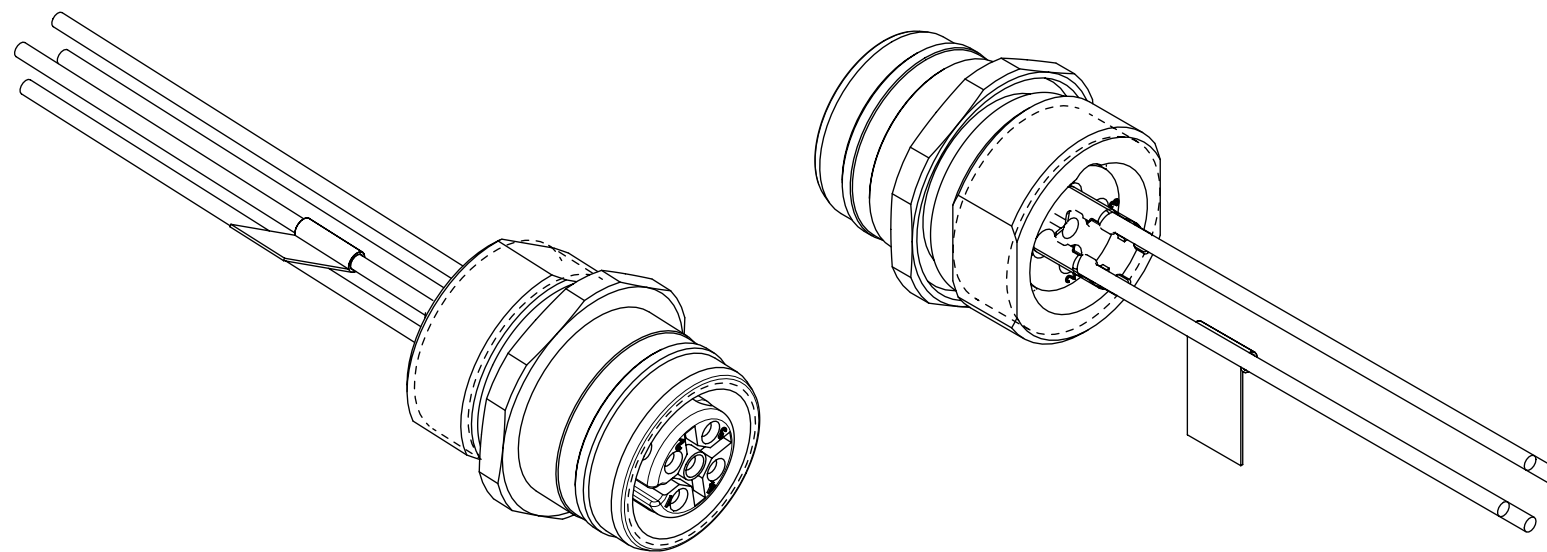
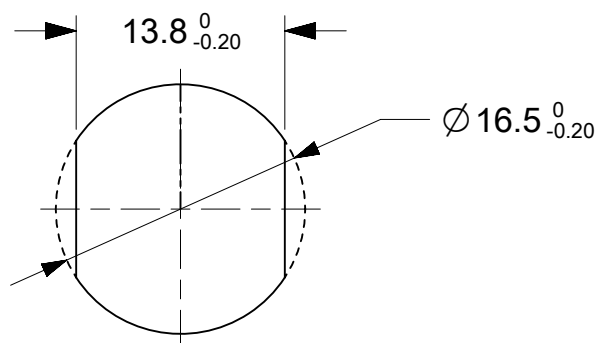


Panel Cutout:



NOTE :

- 1. POS. 8 LABEL - ON WHITE WIRE FOR 4 POL. VERSIONS
- ON GREEN/YELLOW OR GREY WIRE FOR 5 AND 8 POL, VERSIONS
- NO LABEL FOR 12 POL. VERSIONS

BILL OF MATERIAL

ITEM	COMPONENT	MATERIAL	FINISH
1	REC SHELL	BRASS	NICKEL PLATED
2	INSERT	PUR	BLACK
3	CONTACT	BRASS /GOLD	CuZn Ni/Au
4	WIRES	COPPER/PVC	NONE
5	O-RING	NBR	BLACK
6	O-RING	VITON	RED
7	POTTING MATERIAL	WEVO	NONE
8	LABEL	-	YELLOW

DOCUMENT STATUS	P1	RELEASE DATE	2022/07/22	12:02:27
-----------------	----	--------------	------------	----------

SYMBOLS	THIS DRAWING CONTAINS INFORMATION THAT IS PROPRIETARY TO MOLEX ELECTRONIC TECHNOLOGIES, LLC AND SHOULD NOT BE USED WITHOUT WRITTEN PERMISSION		CURRENT REV DESC: NEW P/N ADDED		
	DIMENSION UNITS	SCALE			
▽ = 0	mm	2:1			
▽ = 0	GENERAL TOLERANCES (UNLESS SPECIFIED)				
▽ = 0	ANGULAR TOL ± 1.0°				
▽ = 0	4 PLACES ±		EC NO: 714426		
▽ = 0	3 PLACES ±		DRWN: RSILLER 2022/07/15		
▽ = 0	2 PLACES ± 0.05		CHK'D: THAERDT 2022/07/22		
▽ = 0	1 PLACE ± 0.3		APPR: THAERDT 2022/07/22		
▽ = 0	0 PLACES ± 0.5		INITIAL REVISION:		
□ = 0	DRAFT WHERE APPLICABLE MUST REMAIN WITHIN DIMENSIONS		DRWN: SSM 2017/09/26		
▽ = 0	THIRD ANGLE PROJECTION		APPR: RSILLER 2017/12/15		
		DRAWING	SERIES	MATERIAL NUMBER	CUSTOMER
		A3-SIZE	120084	SEE SHEET 3	GENERAL MARKET
			DOCUMENT NUMBER	DOC TYPE	DOC PART
			1200845107	PSD	000
			REVISION		
			A6		
				SHEET NUMBER	
				1 OF 3	

molex

REC U12 XP AC FE XM M16 FM WIR BRA AU

PRODUCT CUSTOMER DRAWING

4 POLE VERSIONS

PIN	WIRE COLOR
1	BROWN
2	WHITE
3	BLUE
4	BLACK

5 POLE VERSIONS

PIN	WIRE COLOR
1	BROWN
2	WHITE
3	BLUE
4	BLACK
5	GREEN/YELLOW OR GREY

8 POLE VERSIONS

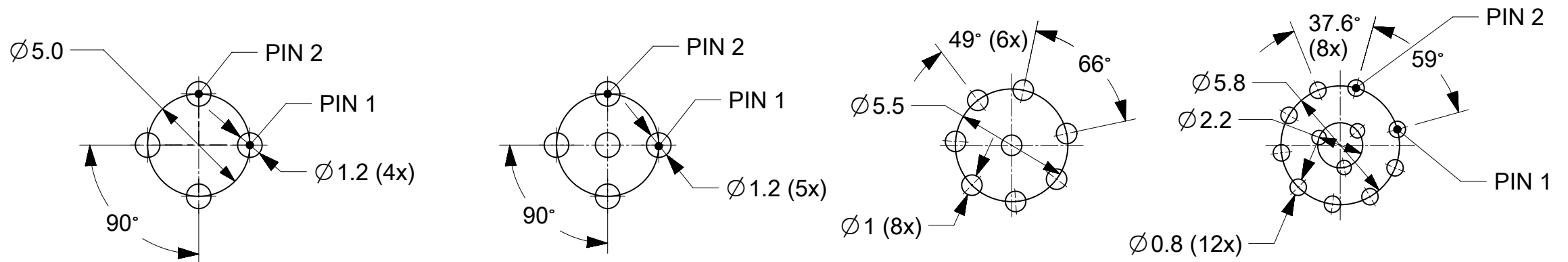
PIN	WIRE COLOR
1	WHITE
2	BROWN
3	GREEN
4	YELLOW
5	GREY
6	PINK
7	BLUE
8	RED

12 POLE VERSIONS

PIN	WIRE COLOR
1	WHITE
2	BROWN
3	GREEN
4	YELLOW
5	GREY
6	PINK
7	BLUE
8	RED
9	BLACK
10	VIOLET
11	GRAY/PINK
12	RED/BLUE

TABLE 3

POLES	4 POLE	5 POLE	8 POLE	12 POLE
LAYOUT				
VOLTAGE RATING	250V	60V	30V	30V
CODING	A - Code	A - Code	A - Code	A - Code
AMPERE RATING	4A	4A	2A	1.5A
PROTECTION CLASS CONNECTOR INTERFACE SHELL TO ENCLOSURE	IP 67/69K (in mated condition / when properly installed)			
OPERATING TEMP.	-25°C / 85°C			
CSA CERTIFICATION	FILE NO. LR6837			
WIRE LEAD	0.34 mm² PVC	0.34 mm² PVC	0.25 mm² PVC	0.14 mm² PVC
PIN DIAMETER	1.0 mm	1.0 mm	0.8 mm	0.6 mm
WIRE COLOR	ACCORDING TO IEC 60947-5-2		ACCORDING TO DIN 47100	



DRILL LAYOUT BACKSIDE

SYMBOLS DIMENSION UNITS: mm SCALE: 2:1 GENERAL TOLERANCES (UNLESS SPECIFIED): ANGULAR TOL ± 1.0° 4 PLACES ± 3 PLACES ± 2 PLACES ± 0.05 1 PLACE ± 0.3 0 PLACES ± 0.5 DRAFT WHERE APPLICABLE MUST REMAIN WITHIN DIMENSIONS THIRD ANGLE PROJECTION DRAWING: A3-SIZE SERIES: 120084	THIS DRAWING CONTAINS INFORMATION THAT IS PROPRIETARY TO MOLEX ELECTRONIC TECHNOLOGIES, LLC AND SHOULD NOT BE USED WITHOUT WRITTEN PERMISSION CURRENT REV DESC: NEW P/N ADDED		 REC U12 XP AC FE XM M16 FM WIR BRA AU PRODUCT CUSTOMER DRAWING		
	EC NO: 714426 DRWN: RSILLER 2022/07/15 CHK'D: THAERDT 2022/07/22 APPR: THAERDT 2022/07/22	INITIAL REVISION: DRWN: SSM 2017/09/26 APPR: RSILLER 2017/12/15			
	MATERIAL NUMBER: SEE SHEET 3 CUSTOMER: GENERAL MARKET SHEET NUMBER: 2 OF 3	DRWING: A3-SIZE SERIES: 120084 MATERIAL NUMBER: SEE SHEET 3 CUSTOMER: GENERAL MARKET SHEET NUMBER: 2 OF 3			

PART LIST

4 POLE VERSIONS

MOLEX P/N	ENGINEERING NR.	L [mm]	TOL
1200845107	WR4U20E03C3003	300	±10
1200250006	WR4U20E03C300	300	±10
1200848085	WR4U20E03C500	500	±10
1200848242	WR4U20E03M0203	2000	±10

5 POLE VERSIONS


MOLEX P/N	ENGINEERING NR.	L [mm]	TOL	PIN 5
1200845113	WR5U20E03C3003	300	±10	GN/YE
1200848027	WR5U20E03C500	500	±10	GN/YE
1200848037	WR5U20E03M020	2000	±10	GREY
1200848124	WR5U20E03M010	1000	±10	GN/YE

8 POLE VERSIONS

MOLEX P/N	ENGINEERING NR.	L [mm]	TOL
1200845002	WR8U20E02M010	1000	±10
1200845095	WR8U20E02C300	300	±10

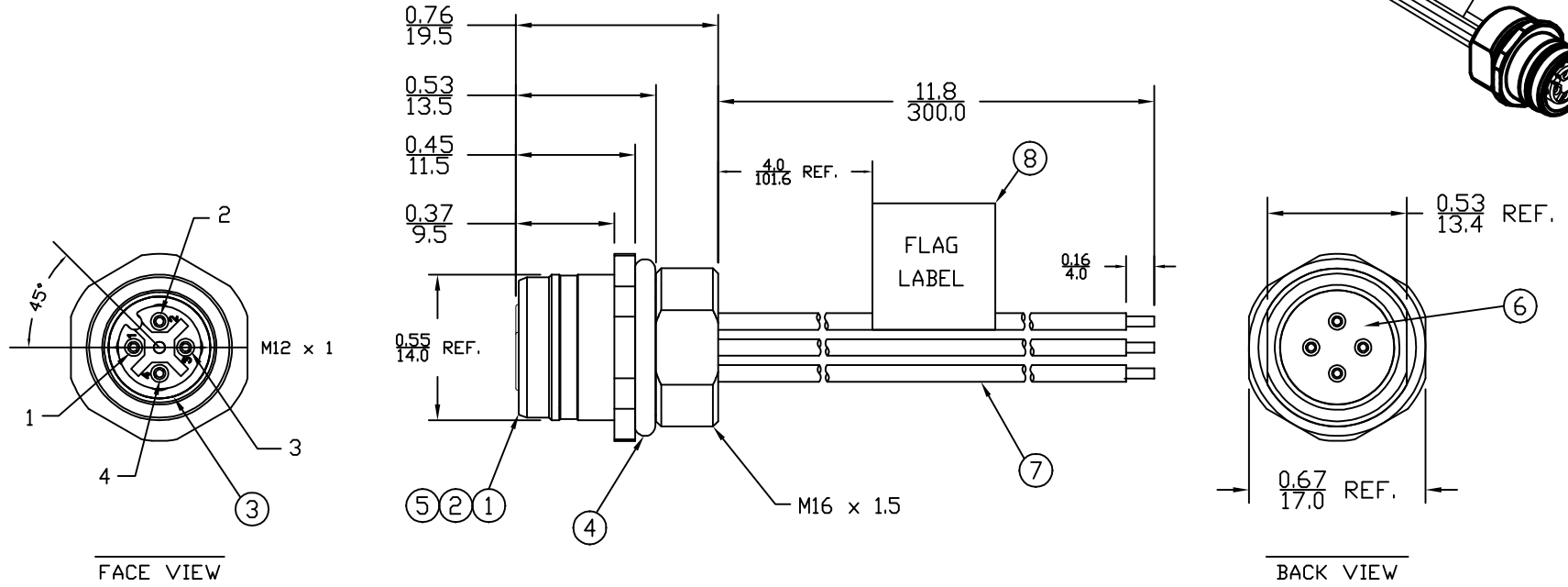
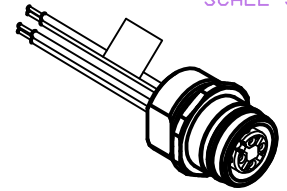
12 POLE VERSIONS

MOLEX P/N	ENGINEERING NR.	L [mm]	TOL
1200845012	WRCU20E01C200	200	±10
1200845013	WRCU20E01C300	300	±10

SYMBOLS ▽ = 0 ▽ = 0 ▽ = 0 ▽ = 0 ▽ = 0 ▽ = 0 ▽ = 0 ▽ = 0 ▽ = 0 ▽ = 0	THIS DRAWING CONTAINS INFORMATION THAT IS PROPRIETARY TO MOLEX ELECTRONIC TECHNOLOGIES, LLC AND SHOULD NOT BE USED WITHOUT WRITTEN PERMISSION		CURRENT REV DESC: NEW P/N ADDED		 REC U12 XP AC FE XM M16 FM WIR BRA AU			
	DIMENSION UNITS	SCALE	EC NO: 714426					DOCUMENT NUMBER
	mm	1:1	DRWN: RSILLER 2022/07/15		1200845107	PSD	000	A6
	GENERAL TOLERANCES (UNLESS SPECIFIED)		CHK'D: THAERDT 2022/07/22		PRODUCT CUSTOMER DRAWING			
	ANGULAR TOL ± 1.0°		APPR: THAERDT 2022/07/22		INITIAL REVISION:			
	4 PLACES ±		DRWN: SSM 2017/09/26		DRAFT WHERE APPLICABLE MUST REMAIN WITHIN DIMENSIONS			
	3 PLACES ±		APPR: RSILLER 2017/12/15		THIRD ANGLE PROJECTION			
	2 PLACES ± 0.05		DRAWING		SERIES			
	1 PLACE ± 0.3		A3-SIZE		MATERIAL NUMBER			
	0 PLACES ± 0.5		120084		CUSTOMER			
DRAFT WHERE APPLICABLE MUST REMAIN WITHIN DIMENSIONS		SEE PART LIST		SHEET NUMBER				
		GENERAL MARKET		3 OF 3				

SAP P/N#	ENGINEERING NO.	LENGTH ± TOLERANCE
1200250006	WR4U20E03C300	11.81" +0.75"/-0" [30cm +1.90/-0 cm]

AUX VIEW
SCALE 3:4

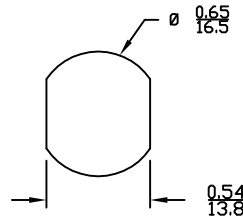


FACE VIEW

BACK VIEW

1	BROWN
2	WHITE
3	BLUE
4	BLACK

WIRING DIAGRAM



TYPICAL KNOCKOUT
(SCALE 1:1)

- NOTES:
- 1) MATERIAL: SEE TABLE
 - 2) FINISHES: SEE TABLE
 - 3) WIRE: #22-1 PVC
 - 4) ELECTRICAL DATA:
MAX. VOLTAGE: 250V
MAX. CURRENT: 4A
 - 5) ENVIRONMENTAL:
PROTECTION IP67
 - 6) ASSEMBLY IS RoHS COMPLIANT.

ITEM	QTY.	DESCRIPTION	MATERIAL	FINISH
8	1	LABEL	PLASTIC FILM	BLACK/YELLOW
7	4	WIRE	PVC	-
6	1	POTTING MATERIAL	EPDXY	-
5	4	SOCKET CONTACT	COPPER ALLDY	NICKEL
4	1	O-RING	NITRILE	BLACK
3	1	O-RING	VITON	RED
2	1	INSERT: A-CODE	NYLON	BLACK
1	1	SHELL: FRONT PANEL MOUNT	BRASS	NICKEL

SD RELEASE
EC NO: WELU2010-0046
8/28/09
DRWN: VOU
CHKD: BWOODMAN/09/08/31
APPR: JFMURPHY 2009/08/31

QUALITY SYMBOLS
▽=0
▽C=0

GENERAL TOLERANCES (UNLESS SPECIFIED)

	mm	INCH
4 PLACES	±----	±----
3 PLACES	±----	±.005
2 PLACES	±----	±.010
1 PLACE	±----	±.020

ANGULAR ±1°

DRAFT WHERE APPLICABLE
MUST REMAIN
WITHIN DIMENSIONS

DIMENSION STYLE
INCH/MM

DRAWN BY: VOU DATE: 2009/08/28

CHECKED BY: BWOODMAN DATE: 2009/08/31

APPROVED BY: JFMURPHY DATE: 2009/08/28

SEE CHART

SIZE A

SCALE 3:2 DESIGN UNITS INCH

THIRD ANGLE PROJECTION

TITLE: ULTRA-LOCK RECPT FPM M16 FEMALE 4P M12 A-CODE #22-1 PVC WIRES

MOLEX INCORPORATED

DOCUMENT NO. SD-120025-003 SHEET NO. 1 OF 1

THIS DRAWING CONTAINS INFORMATION THAT IS PROPRIETARY TO MOLEX INCORPORATED AND SHOULD NOT BE USED WITHOUT WRITTEN PERMISSION