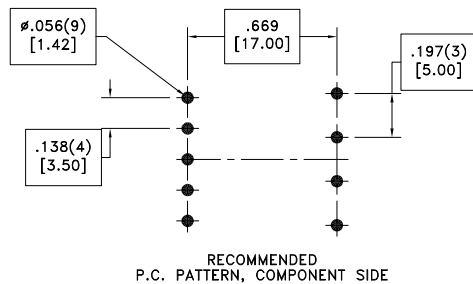
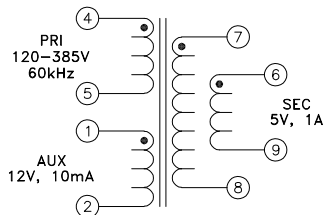
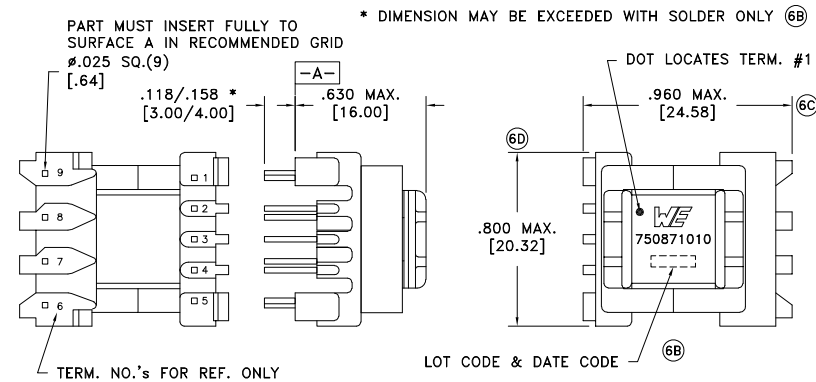


CUSTOMER TERMINAL	RoHS	LEAD(Pb)-FREE
Sn96%, Ag4%	Yes	Yes



ELECTRICAL SPECIFICATIONS @ 25°C unless otherwise noted:

PARAMETER	TEST CONDITIONS	VALUE
D.C. RESISTANCE	1-2 @20°C	1.05 ohms max.
D.C. RESISTANCE	4-5 @20°C	6.00 ohms max.
D.C. RESISTANCE	6-9 @20°C	0.052 ohms max.
D.C. RESISTANCE	7-8 @20°C	0.066 ohms max.
INDUCTANCE	4-5 10kHz, 100mVAC, Ls	3.30mH ±10%
LEAKAGE INDUCTANCE	4-5 tie(1+2, 6+7+8+9), 100kHz, 100mVAC, Ls	40uH max.
DIELECTRIC	4-6 tie(1+5, 6+7), 5000VAC, 1 second	4000VAC, 1 minute
DIELECTRIC	1-4 1875VAC, 1 second	1500VAC, 1 minute
URNS RATIO	(4-5):(6-9)	14.36:1, ±1%
URNS RATIO	(4-5):(7-8)	14.36:1, ±1%
URNS RATIO	(4-5):(1-2)	6.32:1, ±1%

GENERAL SPECIFICATIONS:

OPERATING TEMPERATURE RANGE: -40°C to +125°C.

(6B) Wire insulation & RoHS status not affected by wire color. Wire insulation color may vary depending on availability.

REV.	DATE	Packaging Specifications		Tolerances unless otherwise specified: Method: ±1°      Decimals: ±.005 [.13] Fractions: ±1/64      Footprint: ±.005 [.13]	DRAWING TITLE	PART NO.	
6D	3/20	Method: Tray			This drawing is dual dimensioned. Dimensions in brackets are in millimeters.	<b>TRANSFORMER</b>	<b>750871010</b>
6C	4/17	PKG-0735					
6B	6/16	www.we-online.com/midcom					
6A	10/08	SEE REVISION SHEET FOR REVISION LEVEL					
					eiSos p/n: 750871010		SPECIFICATION SHEET 1 OF 1