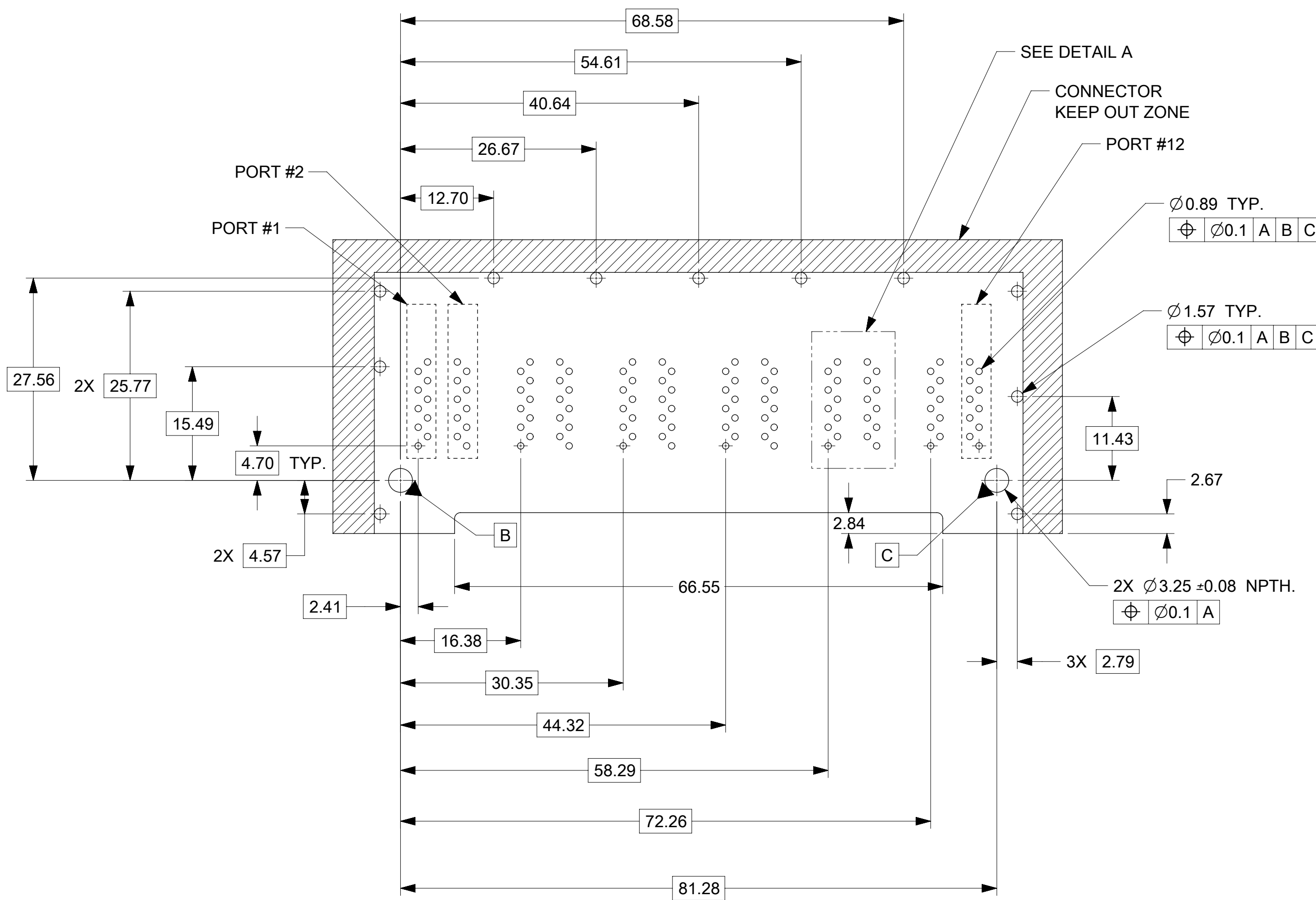
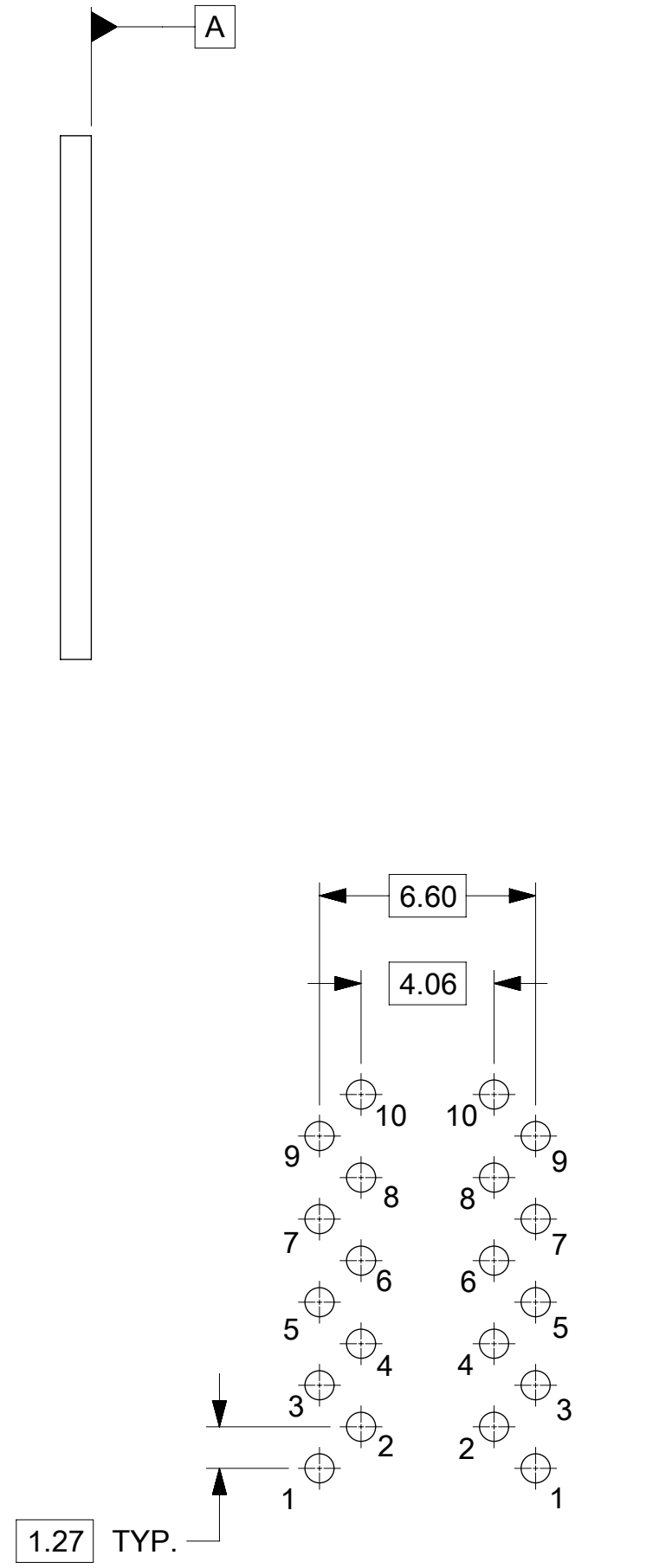


- NOTES:
- MATERIAL:
 HOUSING: POLYESTER, GLASS FILLED, UL94V-0, COLOR: BLACK
 CONTACT BEAMS: COPPER ALLOY, SHIELD: BRASS, PCB PINS: COPPER ALLOY.
 - PLATING:
 CONTACT BEAMS: 50 MICROINCHES MIN. GOLD OVER 150 MICROINCHES MIN NICKEL UNDERPLATE
 SHIELD: NICKEL WITH SELECT TIN DIP ON GROUND TABS
 PCB PINS: TIN DIP
 - PRODUCT SPECIFICATION: PS-46030-003
 - PRODUCT IS TRAY PACKAGED PER PACKAGING SPECIFICATION: PK-46030-001.
 - CONFORMS TO FCC REGULATION PART 68.5 SPECIFICATION FOR MODULAR JACKS.
 - MOLEX PART NUMBER, REVISION LETTER, AND DATE CODE ARE LOCATED IN AREA SHOWN. MANUFACTURING DATE CODE IS 3 DIGIT JULIAN DAY AND 1 DIGIT YEAR (EXAMPLE: 0337 IS FEBRUARY 2, 2007).
 - SHIELD SURFACE FINISHES (CLASS A, B OR C) COMPLY WITH THE REQUIREMENTS FOR VISUAL ACCEPTANCE PER COSMETIC SPECIFICATION ES-46030-006.

FUNCTIONAL SYMBOLS	THIS DRAWING CONTAINS INFORMATION THAT IS PROPRIETARY TO MOLEX ELECTRONIC TECHNOLOGIES, LLC AND SHOULD NOT BE USED WITHOUT WRITTEN PERMISSION		CURRENT REV DESC: 1.REMOVE OBSOLETE PART NUMBER 463171003/1004. 2.ADD RECOMMENDED KEEP OUT ZONE SEE SHEET 3.		molex								
	DIMENSION UNITS	SCALE											
$\nabla_A = 0$	mm	2:1	GENERAL TOLERANCES (UNLESS SPECIFIED)		2X6 STACKED MAGNETIC JACK NON POE VERSION								
$\nabla_E = 0$	ANGULAR TOL ± 0.5°		4 PLACES ±		PRODUCT CUSTOMER DRAWING								
$\nabla_P = 0$	3 PLACES ±		2 PLACES ± 0.05		DOCUMENT NUMBER								
DIVISIONAL SYMBOLS	1 PLACE ± 0.25		0 PLACES ±		SD-46317-002		DOC TYPE		DOC PART		REVISION		
DRAFT WHERE APPLICABLE MUST REMAIN WITHIN DIMENSIONS		THIRD ANGLE PROJECTION		DRAWING		SERIES		MATERIAL NUMBER		CUSTOMER		SHEET NUMBER	
		C-SIZE		46317		463171002		GENERAL MARKET		1 OF 3			



**SUGGESTED PCB LAYOUT
COMPONENT SIDE**

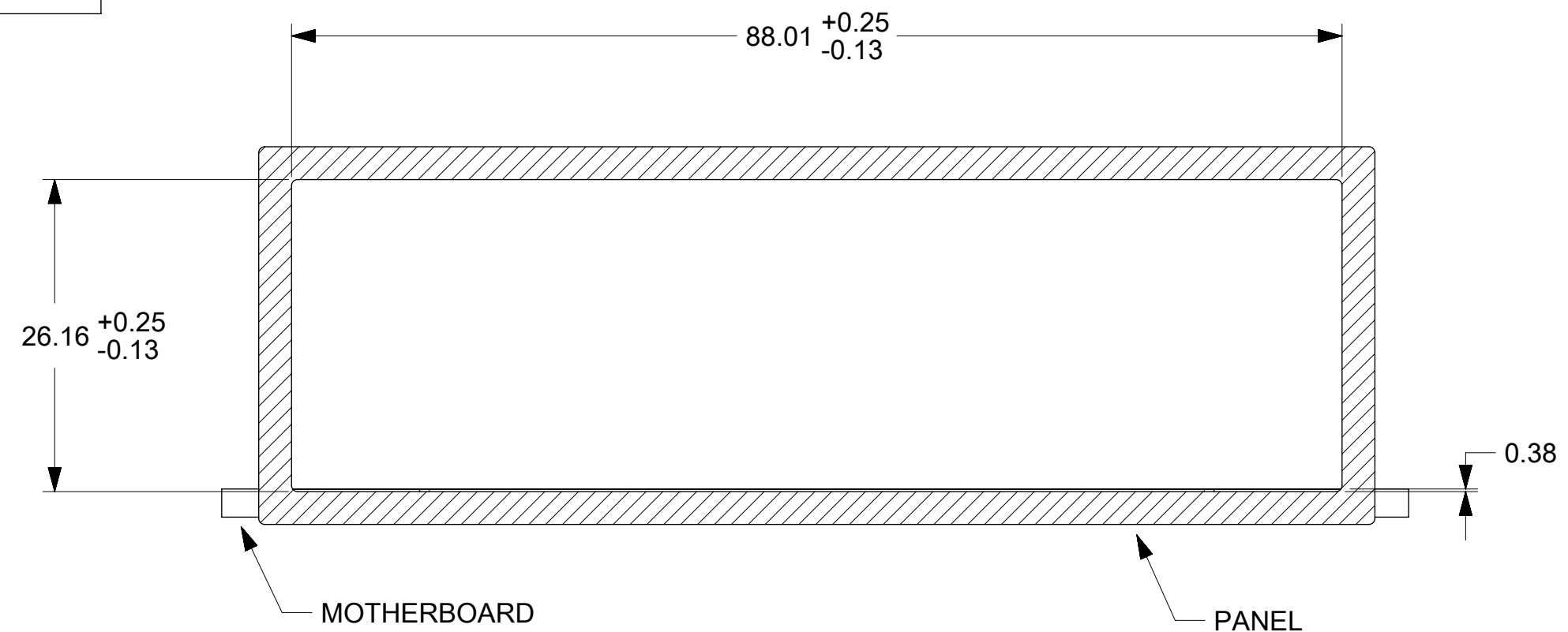
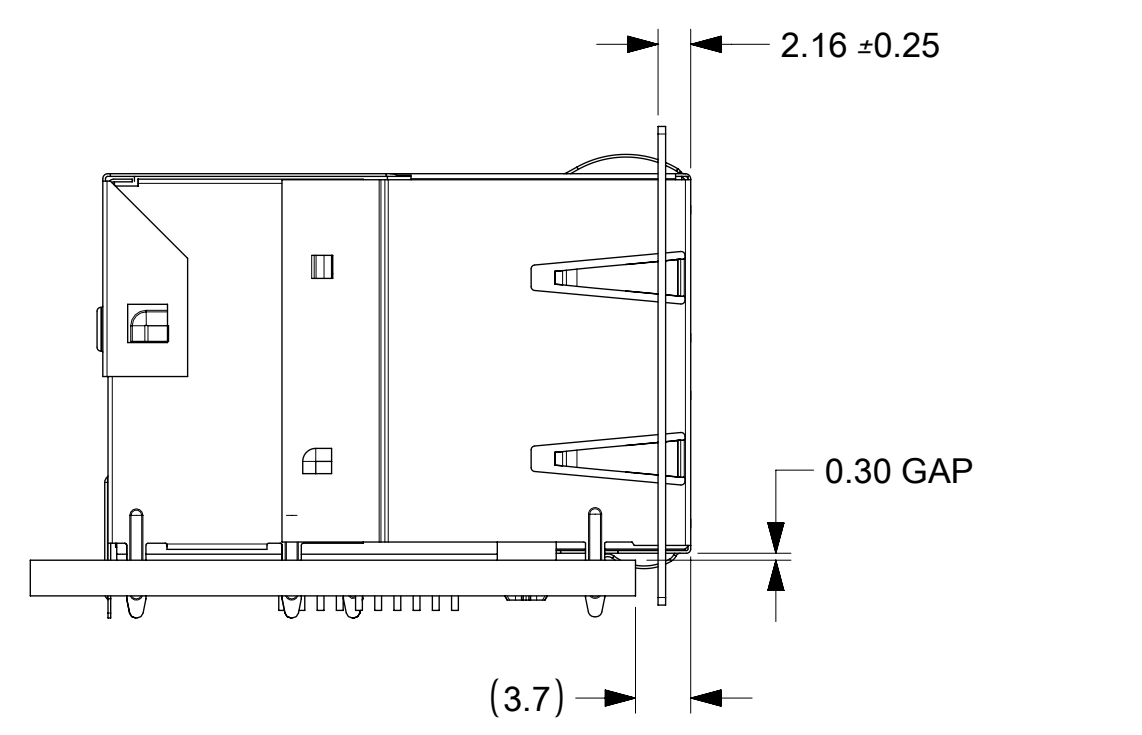
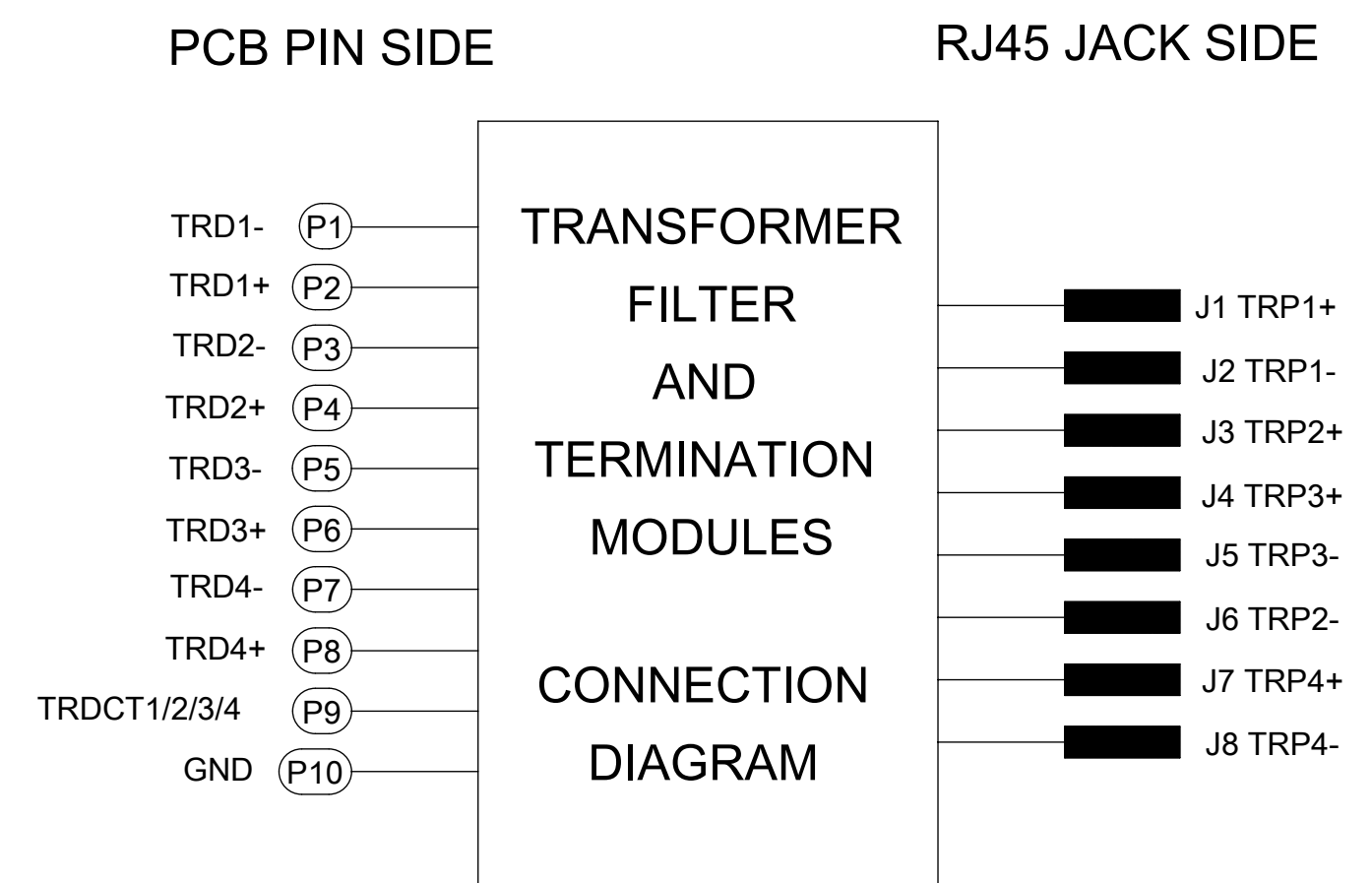


**DETAIL B
SCALE 5:1
PIN-OUT DETAIL
COMPONENT SIDE**

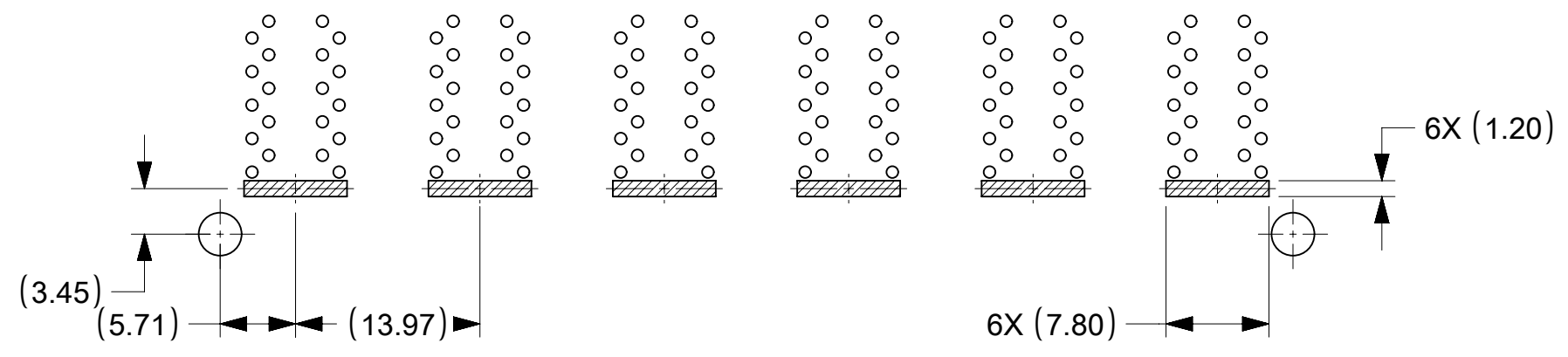
FUNCTIONAL SYMBOLS	THIS DRAWING CONTAINS INFORMATION THAT IS PROPRIETARY TO MOLEX ELECTRONIC TECHNOLOGIES, LLC AND SHOULD NOT BE USED WITHOUT WRITTEN PERMISSION									
	DIMENSION UNITS	SCALE	CURRENT REV DESC: 1.REMOVE OBSOLETE PART NUMBER 463171003/1004. 2.ADD RECOMMENDED KEEP OUT ZONE SEE SHEET 3.							
$\nabla_A = 0$	mm	2:1	EC NO: 638658 DRWN: GWU15 2020/05/12 CHK'D: KLANG 2020/06/10 APPR: KLANG 2020/06/10							
$\nabla_C = 0$	GENERAL TOLERANCES (UNLESS SPECIFIED)									
$\nabla_P = 0$	ANGULAR TOL $\pm 0.5^\circ$		INITIAL REVISION: DRWN: GMINNICK 2016/11/18 APPR: KLANG 2016/11/30							
DIVISIONAL SYMBOLS	4 PLACES \pm									
	3 PLACES \pm		DOCUMENT NUMBER SD-46317-002							
	2 PLACES ± 0.05									
	1 PLACE ± 0.25		MATERIAL NUMBER 463171002		CUSTOMER GENERAL MARKET			SHEET NUMBER 2 OF 3		
	0 PLACES \pm		THIRD ANGLE PROJECTION		DRAWING C-SIZE		SERIES 46317			
DRAFT WHERE APPLICABLE MUST REMAIN WITHIN DIMENSIONS			DRAWING		SERIES		MATERIAL NUMBER		CUSTOMER	

DOCUMENT STATUS	P1	RELEASE DATE	2020/06/10	13:17:59
-----------------	----	--------------	------------	----------

ELECTRICAL CHARACTERISTIC		VALUE AT 25°C
INSERTION LOSS	1 - 40 MHz	0.5 dB MAX
	40 - 100 MHz	1.0 dB MAX
	100 - 125 MHz	1.3 dB MAX
RETURN LOSS	1 - 40 MHz	18 dB MIN
	40 - 100 MHz	12 dB MIN
	100 - 125 MHz	10 dB MIN
OPEN CIRCUIT INDUCTANCE (OCL)	100kHz / 0.1V / 8mA DC	350 μH MIN
TURN RATIO		1.00 ±0.02
HI-POT		2250 VDC
DC HANDLING CAPABILITY FROM CENTER TAP		350 mA CONTINUOUS
		500 mA FOR 400 MILLISECONDS
COMMON MODE TO DIFFERENTIAL MODE	100 kHz - 40 MHz	-50 dB MAX
	40 - 100 MHz	-40 dB MAX
	100 - 200 MHz	-35 dB MAX
COMMON MODE TO COMMON MODE	100 kHz - 40 MHz	-50 dB MAX
	40 - 100 MHz	-40 dB MAX
	100 - 200 MHz	-33 dB MAX
	200 - 300 MHz	-25 dB MAX
	300 - 500 MHz	-20 dB MAX



SUGGESTED PANEL OPENING



RECOMMENDED KEEP OUT ZONE

NOTE: THE SHADED AREA OF CUSTOMER PCB IS RECOMMENDED TO BE CLEAR OFF ANY CIRCUIT TRACE, VIA HOLE OR COMPONENT PAD.

THIS DRAWING CONTAINS INFORMATION THAT IS PROPRIETARY TO MOLEX ELECTRONIC TECHNOLOGIES, LLC AND SHOULD NOT BE USED WITHOUT WRITTEN PERMISSION										
FUNCTIONAL SYMBOLS	DIMENSION UNITS	SCALE	CURRENT REV DESC: 1.REMOVE OBSOLETE PART NUMBER 463171003/1004. 2.ADD RECOMMENDED KEEP OUT ZONE SEE SHEET 3.							
$\nabla_A = 0$	mm	2:1	<p>EC NO: 638658</p> <p>DRWN: GWU15 2020/05/12</p> <p>CHK'D: KLANG 2020/06/10</p> <p>APPR: KLANG 2020/06/10</p> <p>INITIAL REVISION:</p> <p>DRWN: GMINNICK 2016/11/18</p> <p>APPR: KLANG 2016/11/30</p>							
GENERAL TOLERANCES (UNLESS SPECIFIED)										
ANGULAR TOL	± 0.5°									
4 PLACES	±									
DIVISIONAL SYMBOLS			PRODUCT CUSTOMER DRAWING				DOCUMENT NUMBER	DOC TYPE	DOC PART	REVISION
3 PLACES	±		SD-46317-002				PSD	000	A3	
2 PLACES	± 0.05		MATERIAL NUMBER				CUSTOMER			
1 PLACE	± 0.25		463171002				GENERAL MARKET			
0 PLACES	±		SHEET NUMBER				3 OF 3			
DRAFT WHERE APPLICABLE MUST REMAIN WITHIN DIMENSIONS			THIRD ANGLE PROJECTION	DRAWING	SERIES	C-SIZE		46317		