



3.5mm Female to 3.5mm Female Miter Right Angle Adapter

RF Adapters Technical Data Sheet

PE91528

Configuration

- 3.5mm Female Connector 1
- 3.5mm Female Connector 2
- 50 Ohm
- Miter Right Angle Body Geometry

Features

- Max VSWR of 1.35:1 up to 34.5 GHz
- 4 μ m. Minimum contact plating
- Gold over Nickel Plated Beryllium Copper Contact

Applications

- General Purpose Test

Description

Pasternack's PE91528 3.5mm female to 3.5mm female miter right angle adapter is part of our full line of RF components available for same-day shipping. The 3.5mm connector mates mechanically with commercially available SMA and 2.92mm (K) connectors. Our 3.5mm to 3.5mm adapter has a female to female gender configuration built of durable stainless steel. PE91528 3.5mm female to 3.5mm female adapter operates to 34.5 GHz. The Pasternack RF adapter provides good VSWR of 1.35:1 maximum. This miter right angle 3.5mm to 3.5mm adapter allows for easier connections in tight spaces.

RF adapters are often used to enable connections between two connector types that would otherwise not mate. Certain adapter configurations can also be used to protect connectors on expensive equipment where the number of connect/disconnect cycles is high. An RF, microwave or millimeter wave adapter is connected to the equipment, and the commonly changed connection is made with the adapter which can be easily replaced when it wears out after high usage; such adapters are referred to as connector savers. Pasternack also offers bulkhead, panel mount, hermetically sealed, reverse polarity, and isolated ground adapter varieties to serve all of your RF, microwave and millimeter wave needs.

Electrical Specifications

Description	Minimum	Typical	Maximum	Units
Frequency Range	DC		34.5	GHz
VSWR			1.35:1	

Mechanical Specifications

Size

Length	0.653 in [16.59 mm]
Height	0.626 in [15.9 mm]

Description	Connector 1	Connector 2
Type	3.5mm Female	3.5mm Female
Polarity	Standard	Standard

Click the following link (or enter part number in "SEARCH" on website) to obtain additional part information including price, inventory and certifications: [3.5mm Female to 3.5mm Female Miter Right Angle Adapter PE91528](#)



3.5mm Female to 3.5mm Female Miter Right Angle Adapter

RF Adapters Technical Data Sheet

PE91528

Material Specifications

Description	Connector 1		Connector 2	
	Material	Plating	Material	Plating
Type	3.5mm Female		3.5mm Female	
Contact	Beryllium Copper	Gold over Nickel 4 µin. Minimum	Beryllium Copper	Gold over Nickel 4 µin. Minimum
Insulation	Oxide-Noryl		Oxide-Noryl	
Outer Conductor	Passivated Stainless Steel		Passivated Stainless Steel	
Body	Passivated Stainless Steel		Passivated Stainless Steel	

Compliance Certifications (see [product page](#) for current document)

3.5mm Female to 3.5mm Female Miter Right Angle Adapter from Pasternack Enterprises has same day shipment for domestic and International orders. Our RF, microwave and millimeter wave products maintain a 99.4% availability and are part of the broadest selection in the industry.

Click the following link (or enter part number in "SEARCH" on website) to obtain additional part information including price, inventory and certifications: [3.5mm Female to 3.5mm Female Miter Right Angle Adapter PE91528](#)

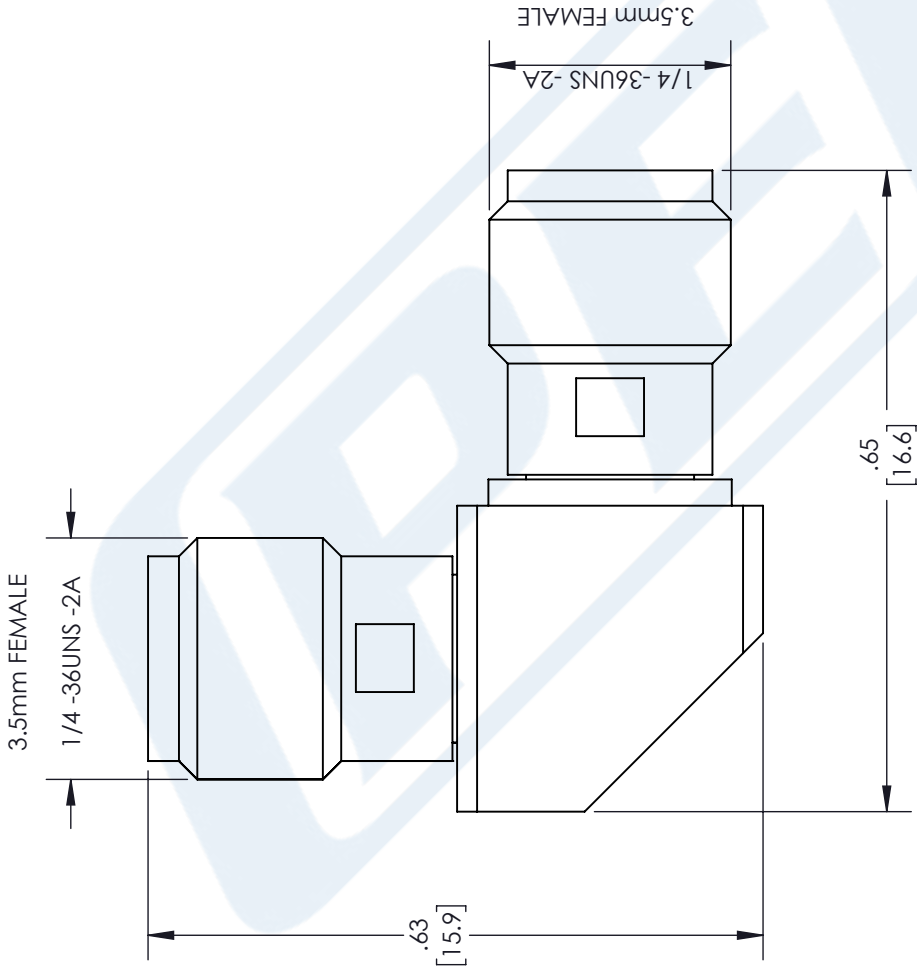
URL: <https://www.pasternack.com/3.5mm-female-3.5mm-female-miter-right-angle-adapter-pe91528-p.aspx>

The information contained in this document is accurate to the best of our knowledge and representative of the part described herein. It may be necessary to make modifications to the part and/or the documentation of the part, in order to implement improvements. Pasternack reserves the right to make such changes as required. Unless otherwise stated, all specifications are nominal. Pasternack does not make any representation or warranty regarding the suitability of the part described herein for any particular purpose, and Pasternack does not assume any liability arising out of the use of any part or documentation.

PE91528 CAD Drawing

3.5mm Female to 3.5mm Female Miter Right Angle Adapter

REVISIONS			
REV.	DESCRIPTION	DATE	APPROVED
A	INITIAL RELEASE	02/15/2021	SELLIS



UNLESS OTHERWISE SPECIFIED
LEADING DIMENSIONS ARE INCHES
DIMENSIONS IN [] ARE MILLIMETERS

TOLERANCES:

.X = ±.2 [5.08] FRACTIONS ± 1/32
.XX = ±.02 [.51] ANGLES ± 1°
.XXX = ±.005 [.13]

CABLE LENGTH (L), TOLERANCES:

L ≤ 12 [305] = +1 [25] / -0
12 [305] < L ≤ 60 [1524] = +2 [51] / -0
60 [1524] < L ≤ 120 [3048] = +4 [102] / -0
120 [3048] < L ≤ 300 [7620] = +6 [152] / -0
300 [7620] < L = +5% / -0

ALL DIMENSIONS SHOWN
ARE FOR REFERENCE ONLY.

PE PASTERNAK
an INFINITI brand

Pasternack Enterprises, Inc.
P. O. Box 16759, Irvine, CA 92623.
Phone: 1.949.261.1920 | 1.866.727.8376
Fax: 1.949.261.7451
Website: www.pasternack.com
E-mail: sales@pasternack.com

ITEM NO. PE91528
DRAWN BY MVEERAPPAN
CAGE CODE 53919

THIRD-ANGLE PROJECTION

THE INFORMATION AND DESIGN IN THIS DOCUMENT IS THE PROPERTY OF PASTERNAK CORPORATION ALL RIGHTS RESERVED.

SHEET 1 OF 1

SCALE N/A

REV A

THESE COMMODITIES, TECHNOLOGY OR SOFTWARE WERE EXPORTED FROM THE UNITED STATES IN ACCORDANCE WITH THE EXPORT ADMINISTRATION REGULATIONS. DIVERSION CONTRARY TO U.S. LAW PROHIBITED.