

HPI

TE Internal #: 440052-6

PCB Mount Header, Vertical, Wire-to-Board, 6 Position, 2.5 mm [.098 in] Centerline, Partially Shrouded, Tin, Through Hole - Solder, Signal, HPI

[View on TE.com >](#)


Connectors > PCB Connectors > PCB Headers & Receptacles > AMP HPI 2.5 mm Headers

Connector System: **Wire-to-Board**Number of Positions: **6**Number of Rows: **1**Centerline (Pitch): **2.5 mm [.098 in]**PCB Mount Orientation: **Vertical**
[All AMP HPI 2.5 mm Headers \(78\)](#)

Features

Product Type Features

Connector System	Wire-to-Board
Header Type	Partially Shrouded
Sealable	No
Connector & Contact Terminates To	Printed Circuit Board
PCB Connector Assembly Type	PCB Mount Header

Configuration Features

Number of Positions	6
Number of Rows	1
PCB Mount Orientation	Vertical

Electrical Characteristics

Operating Voltage	250 VAC
-------------------	---------

Body Features

Primary Product Color	Natural
-----------------------	---------

Contact Features

Contact Mating Area Length	3.45 mm[.136 in]
Mating Square Post Dimension	.64 mm[.025 in]



Contact Mating Area Plating Material Thickness	2.032 μ m[80 μ in]
Contact Shape & Form	Square
Contact Mating Area Plating Material Finish	Bright
PCB Contact Termination Area Plating Material	Tin
Contact Base Material	Brass
Contact Mating Area Plating Material	Tin
Contact Type	Pin
Contact Current Rating (Max)	3 A

Termination Features

Square Termination Post & Tail Dimension	.64 mm[.025 in]
Terminations per Post (Max)	3
Termination Post & Tail Length	3.4 mm[.134 in]
Termination Method to Printed Circuit Board	Through Hole - Solder

Mechanical Attachment

Mating Alignment Type	Polarization
Mating Retention	Without
PCB Mount Retention Type	Kinked Tines
Connector Mounting Type	Board Mount
Mating Alignment	With
PCB Mount Alignment	Without
PCB Mount Retention	With

Housing Features

Housing Material	Nylon 66 GF
Centerline (Pitch)	2.5 mm[.098 in]

Dimensions

Connector Length	17.5 mm[.689 in]
Connector Height	6 mm[.236 in]
Connector Width	3.8 mm[.15 in]
PCB Thickness (Recommended)	1 – 1.6 mm[.039 – .063 in]

Usage Conditions

Operating Temperature Range	-25 – 85 $^{\circ}$ C[-13 – 185 $^{\circ}$ F]
-----------------------------	---

Operation/Application



Circuit Application	Signal
---------------------	--------

Industry Standards

UL Flammability Rating	UL 94V-0
------------------------	----------

Packaging Features

Packaging Quantity	250
--------------------	-----

Packaging Type	Bag
----------------	-----

Product Compliance

[For compliance documentation, visit the product page on TE.com>](#)

EU RoHS Directive 2011/65/EU	Compliant
------------------------------	-----------

EU ELV Directive 2000/53/EC	Compliant
-----------------------------	-----------

China RoHS 2 Directive MIIT Order No 32, 2016	No Restricted Materials Above Threshold
---	---

EU REACH Regulation (EC) No. 1907/2006	Current ECHA Candidate List: JUNE 2023 (235) Candidate List Declared Against: JUL 2021 (219) Does not contain REACH SVHC
--	--

Halogen Content	Low Halogen - Br, Cl, F, I < 900 ppm per homogenous material. Also BFR/CFR/PVC Free
-----------------	---

Solder Process Capability	Wave solder capable to 240°C
---------------------------	------------------------------

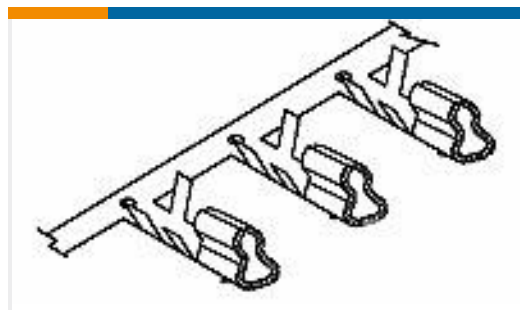
Product Compliance Disclaimer

This information is provided based on reasonable inquiry of our suppliers and represents our current actual knowledge based on the information they provided. This information is subject to change. The part numbers that TE has identified as EU RoHS compliant have a maximum concentration of 0.1% by weight in homogenous materials for lead, hexavalent chromium, mercury, PBB, PBDE, DBP, BBP, DEHP, DIBP, and 0.01% for cadmium, or qualify for an exemption to these limits as defined in the Annexes of Directive 2011/65/EU (RoHS2). Finished electrical and electronic equipment products will be CE marked as required by Directive 2011/65/EU. Components may not be CE marked. Additionally, the part numbers that TE has identified as EU ELV compliant have a maximum concentration of 0.1% by weight in homogenous materials for lead, hexavalent chromium, and mercury, and 0.01% for cadmium, or qualify for an exemption to these limits as defined in the Annexes of Directive 2000/53/EC (ELV). Regarding the REACH Regulation, the information TE provides on SVHC in articles for this part number is based on the latest European Chemicals Agency (ECHA) 'Guidance on requirements for substances in articles' posted at this URL: <https://echa.europa.eu/guidance-documents/guidance-on-reach>

Compatible Parts



TE Part # 440133-6
2.5MM,HSG,6POS

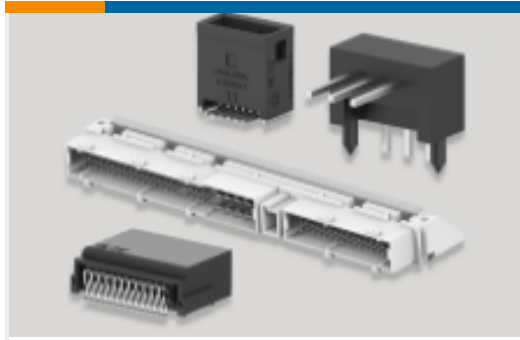


TE Part # 440134-1
2.5mm,Crimp Contact



TE Part # 1-1565715-9
2.5MMPITCH HPI VERTICAL POST H

Also in the Series | HPI



PCB Headers & Receptacles(362)

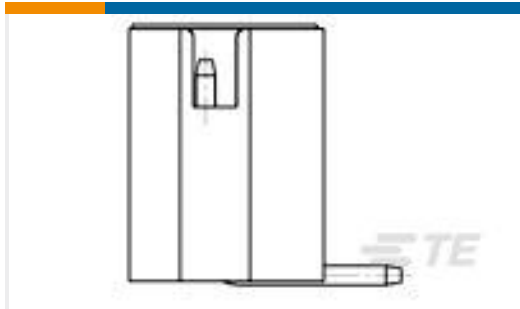


Wire-to-Board Connector Assemblies
& Housings(139)



Wire-to-Board Connector Contacts(2)

Customers Also Bought



TE Part #1775470-4
HPI CONN., 2.0MM, V/T, SMT, 4P,
80U"



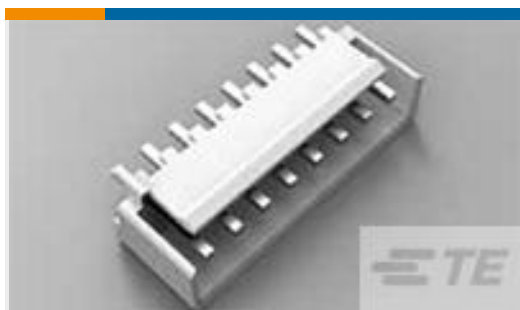
TE Part #440052-4
AMP HPI 2.5 mm Headers



TE Part #440133-5
2.5MM,HSG,5POS



TE Part #1742188-1
250 FASTON,PCB TAB,TCBR



TE Part #1877285-4
04P EP SHRD HDR ASMY, WHITE

Documents

Product Drawings

[2.5MM,HDR,6POS,VERTICAL, CONNECTOR](#)

English

CAD Files

[3D PDF](#)

[3D](#)



Customer View Model

[ENG_CVM_CVM_440052-6_A8.2d_dxf.zip](#)

English

Customer View Model

[ENG_CVM_CVM_440052-6_A8.3d_igs.zip](#)

English

Customer View Model

[ENG_CVM_CVM_440052-6_A8.3d_stp.zip](#)

English

By downloading the CAD file I accept and agree to the [Terms and Conditions](#) of use.

Datasheets & Catalog Pages

[HPI Connectors QRG](#)

English

Product Specifications

[AMP 2.5MM PITCH HPI WIRE TO BOARD SYSTEM.](#)

English

[Application Specification](#)

English

Agency Approvals

[UL Report](#)

English