

## Sub 1GHz Multichannels Radio Transceiver

It is a low cost sub 1GHz multichannels transceiver designed for low-consumption wireless applications. The hardware is based on Texas Instruments CC1101 component.

Programmable from external microcontroller via SPI interface.

SMT Version



XXX : Specified working frequency (433.92MHz. 868)

### Technical Characteristics

Characteristics	MIN	TYP	MAX	UNIT
Supply Voltage	1.8	3	3.6	VDC
Supply Current ( RX mode / TX mode)		18/30		mA
Supply Corrente Power Down mode		0.2		µA
Operative Frequency		433.92/868.30		MHz
RF Power Output 50ohm		+10		dBm
RF Sensitivity (1.2 Kb/sec data rate)		- 112		dBm
Data Rate	1.2		500	Kbit/s
Operating Temperature Range	-20		+70	°C

For more information and details, please refer to the CC1101 Texas Instruments datasheet.

### Applications :

- Wireless security systems
- Home and building automation
- Automatic Measure Reading
- Industrial Control and Monitoring
- Wireless Sensor Network

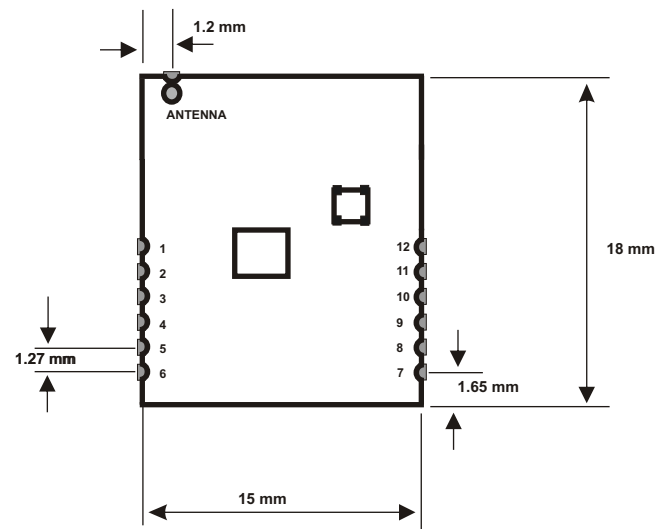
### Feature :

- Bidirectional multichannel Link
- Low consumption technology

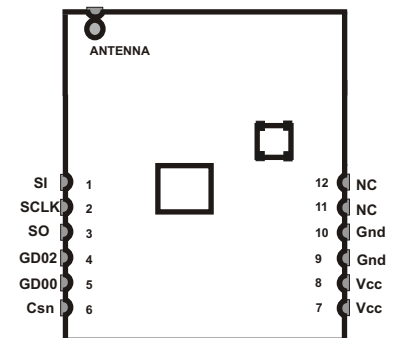
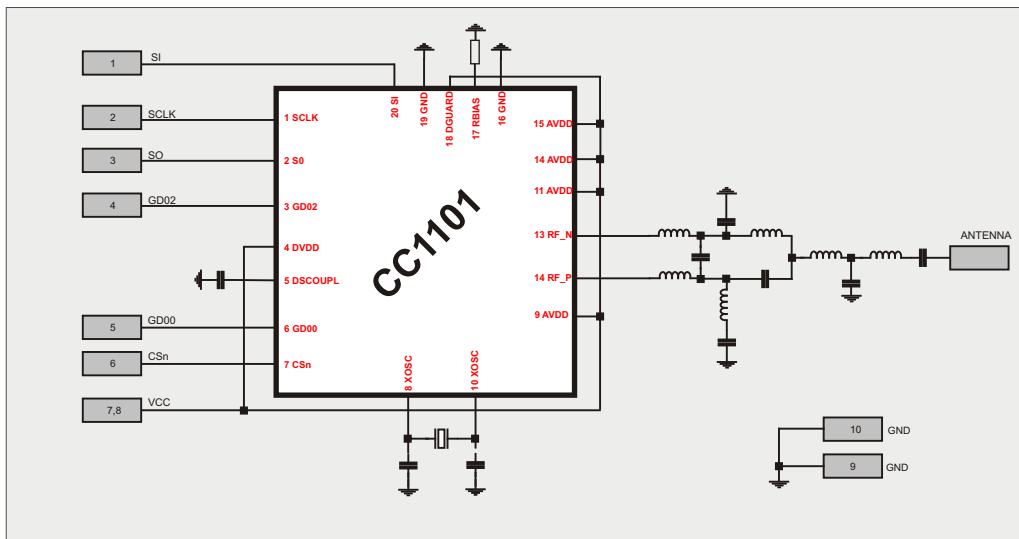
## Pin Out RC-CC1101-SPI-SMT

Pads	Name	Description
1	SI	Serial Configuration interface SPI -----> Data Input
2	SCLK	Serial Configuration Interface SPI -----> Clock Input
3	SO	Serial Configuration Interface SPI -----> Data Output
4	GD02	Digital Output
5	GD00	Digital Output
6	CSn	Serial Configuration Interface SPI -----> Chip Select
7	VCC	Power Supply
8	VCC	Power Supply
9	GND	Gnd
10	GND	Gnd
11	NC	Not Used
12	NC	Not Used

## Mechanicals Dimension



## SCHEMATICS 868MHz VERSION



## SCHEMATICS 433MHz VERSION

