

EV-T2M3S-E-LOCK24V - Locking



1622317

<https://www.phoenixcontact.com/us/products/1622317>

Please be informed that the data shown in this PDF document is generated from our online catalog. Please find the complete data in the user documentation. Our general terms of use for downloads are valid.

CHARX connect modular, Locking, Accessories, with single-core wires, without holder, for locking infrastructure charging sockets when plug is inserted, Type 2, GB/T, IEC 61851-1, Single wires, length: 0.5 m, locking actuator: 24 V, 4-pos.



Product description

Locking actuator with 24 V power supply for infrastructure charging sockets and vehicle charging inlets

Your advantages

- Integrated interlock during charging
- Manual emergency release of the locking actuator
- Developed and produced in accordance with the IATF 16949 automotive standard and ISO 9001
- Uniform, space-saving installation space

Commercial data

Item number	1622317
Packing unit	1 pc
Minimum order quantity	1 pc
Sales key	EM01
Product key	XWBAFC
GTIN	4055626033808
Weight per piece (including packing)	154.8 g
Weight per piece (excluding packing)	95 g
Customs tariff number	85011099
Country of origin	DE

EV-T2M3S-E-LOCK24V - Locking



1622317

<https://www.phoenixcontact.com/us/products/1622317>

Technical data

Product properties

Product type	Locking actuator
Product family	CHARX connect modular
Application	for locking infrastructure charging sockets when plug is inserted
Type	Accessories
Design	with single-core wires without holder
Compatibility	CHARX connect modular CHARX connect basic (additional holder required, see accessories)
Charging standard	Type 2 GB/T
Charging mode	Mode 2, 3, 4

Electrical properties

Locking actuator

Operating voltage	24 V
Note number of positions	4-pos.
Position of the locking actuator	any

Locking actuator

Operating voltage	24 V
Note number of positions	4-pos.
Position of the locking actuator	any
Possible power supply range at the motor	22 V ... 26 V
Maximum voltage for locking detection	30 V
Typical motor current for locking	0.05 A
Reverse current of the motor	max. 0.5 A
Max. dwell time with reverse current	1 s
Recommended adaptation time	600 ms
Pause time after entry or exit path	3 s
Service life insertion cycles	> 10000 load cycles
Lock recognition	available
Mechanical emergency release	available
Ambient temperature (operation)	-30 °C ... 50 °C

Material specifications

Color (Locking)	black (9005)
-----------------	--------------

Cable/line

Cable length	0.5 m
Cable type	Single wires

EV-T2M3S-E-LOCK24V - Locking



1622317

<https://www.phoenixcontact.com/us/products/1622317>

Cable structure	4 x 0.5 mm ²
Single wire, material	PVC
Single wire, color	BU/RD
	BU/GN
	BU/YE
	BU/BN
External cable diameter	1.6 mm ±0.20 mm
Cable resistance	≤ 37.1 Ω/m

Environmental and real-life conditions

Ambient conditions

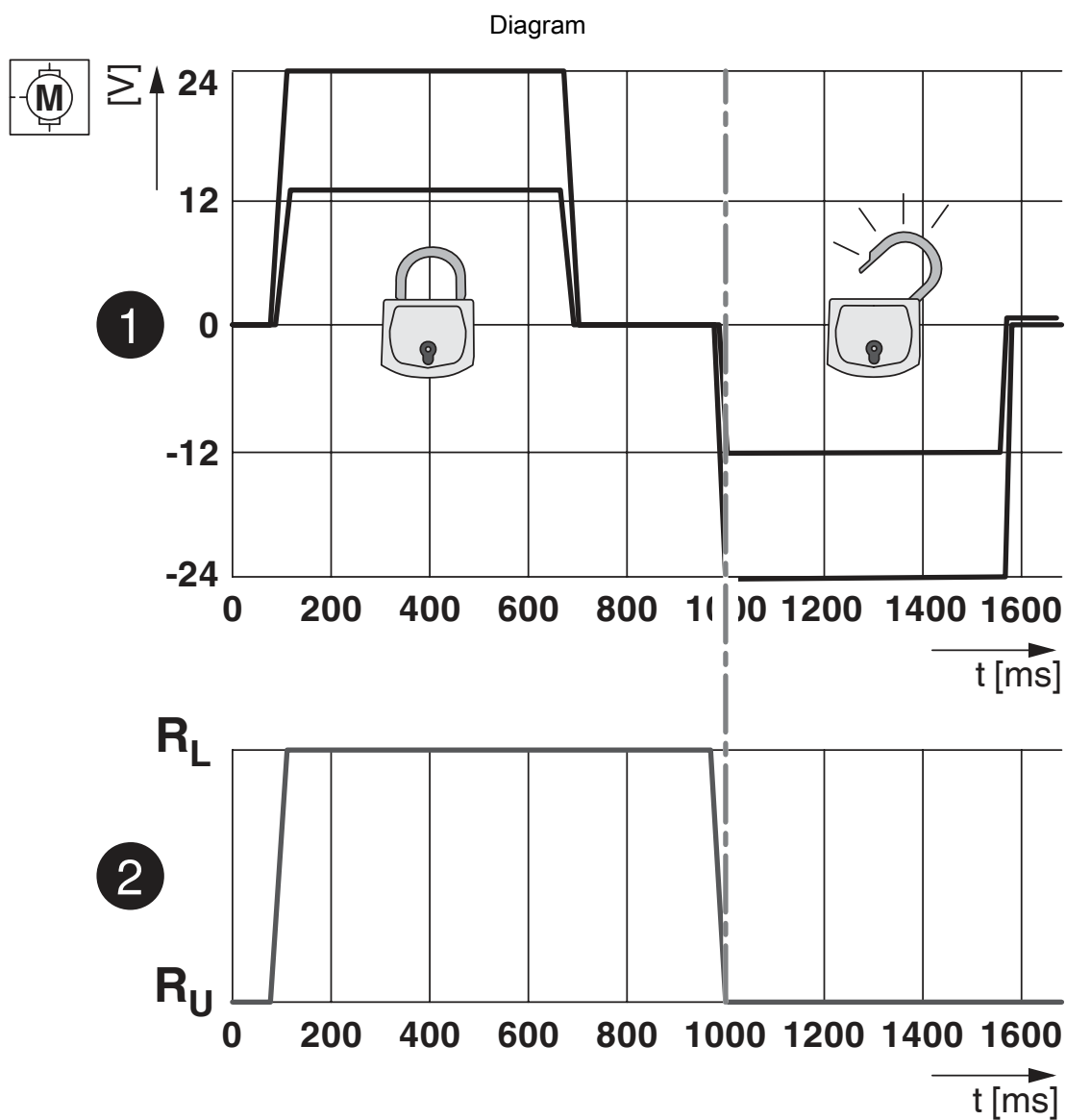
Ambient temperature (operation)	-30 °C ... 50 °C
Ambient temperature (storage/transport)	-40 °C ... 80 °C
Altitude	5000 m (above sea level)

Standards and regulations

Standards

Standards/regulations	IEC 61851-1
-----------------------	-------------

Drawings

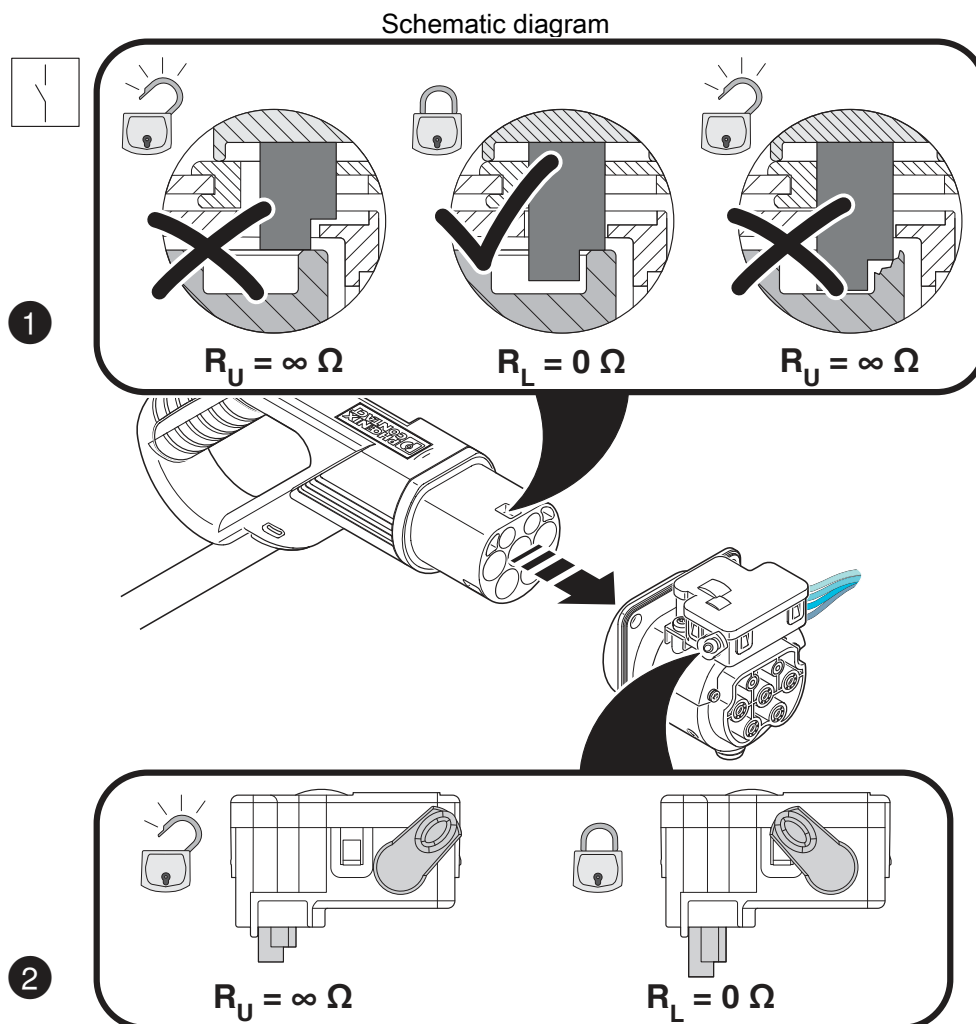


Locking states of the locking actuator

EV-T2M3S-E-LOCK24V - Locking

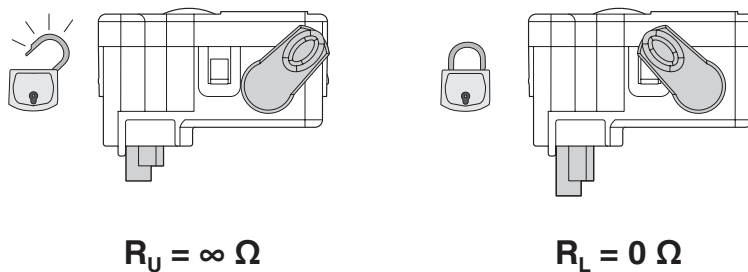
1622317

<https://www.phoenixcontact.com/us/products/1622317>



Detection of the Infrastructure Plug

Schematic diagram



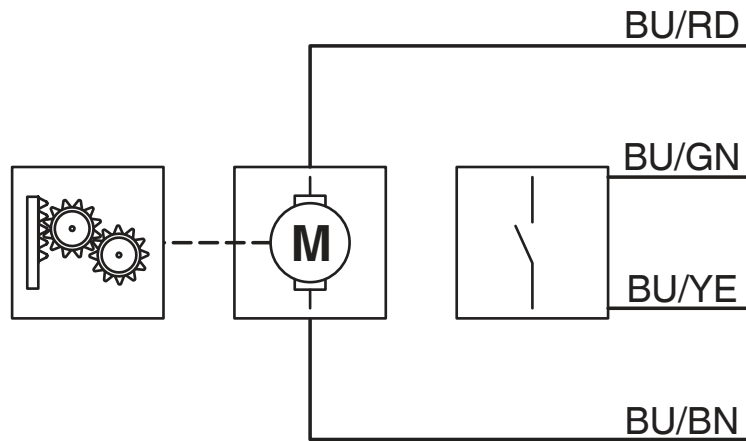
Lever positions for emergency release

EV-T2M3S-E-LOCK24V - Locking

1622317

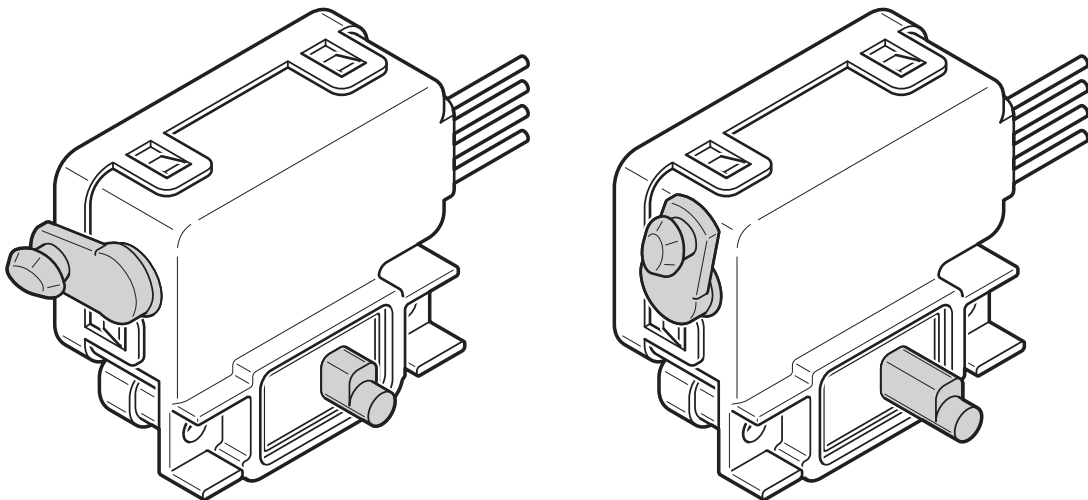
<https://www.phoenixcontact.com/us/products/1622317>

Block diagram



Block diagram of the locking actuator

Schematic diagram



Lever positions for emergency release

EV-T2M3S-E-LOCK24V - Locking



1622317

<https://www.phoenixcontact.com/us/products/1622317>

Classifications

ECLASS

ECLASS-11.0	27144792
ECLASS-12.0	27144792
ECLASS-13.0	27144792

ETIM

ETIM 8.0	EC002884
----------	----------

UNSPSC

UNSPSC 21.0	39121500
-------------	----------

EV-T2M3S-E-LOCK24V - Locking



1622317

<https://www.phoenixcontact.com/us/products/1622317>

Environmental product compliance

China RoHS	Environmentally Friendly Use Period = 10; For information on hazardous substances, refer to the manufacturer's declaration available under "Downloads"
------------	---

EV-T2M3S-E-LOCK24V - Locking



1622317

<https://www.phoenixcontact.com/us/products/1622317>

Accessories

EV-T2M3S-E-LOCK-HOLDER - Holder

1065832

<https://www.phoenixcontact.com/us/products/1065832>

CHARX connect modular, Holder, Accessories, for mounting the 4-pole locking actuator on infrastructure charging sockets, Type 2, GB/T, IEC 61851-1



EV-T2M3S-E-LOCK-HOLDER - Holder

1065832

<https://www.phoenixcontact.com/us/products/1065832>

CHARX connect modular, Holder, Accessories, for mounting the 4-pole locking actuator on infrastructure charging sockets, Type 2, GB/T, IEC 61851-1



Phoenix Contact 2023 © - all rights reserved

<https://www.phoenixcontact.com>

Phoenix Contact USA
586 Fulling Mill Road
Middletown, PA 17057, United States
(+717) 944-1300
info@phoenixcon.com