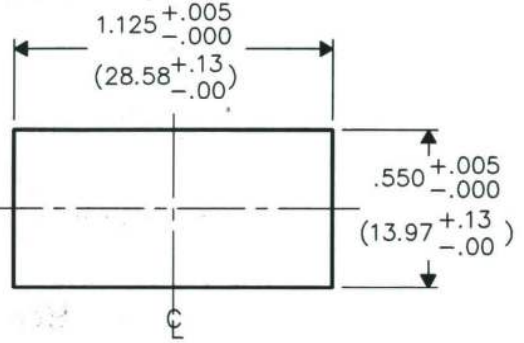
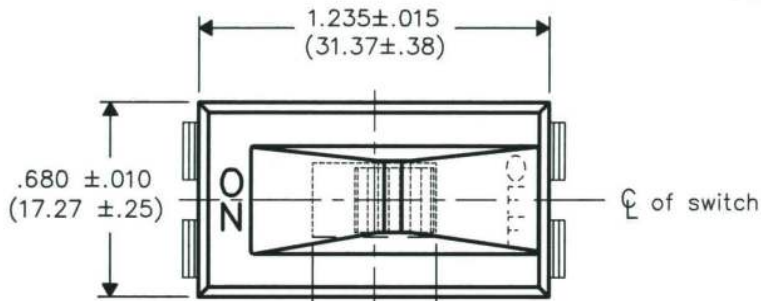


PANEL PIERCING



$.436$ (11.07) Button slot

$.158 \pm .010$ (4.01 ± .25) TRAVEL

$.990 \pm .015$ (25.15 ± .38)

$.050$ (1.27)

$.405 \pm .015$ (10.29 ± .38)

$.050 \pm .010$ (1.27 ± .25)

$.632 \pm .010$ (16.05 ± .25)

$.100 \pm .010$ (2.54 ± .25)

$.032$ (.81) TYP.

$.200 \pm .010$ (5.08 ± .25)

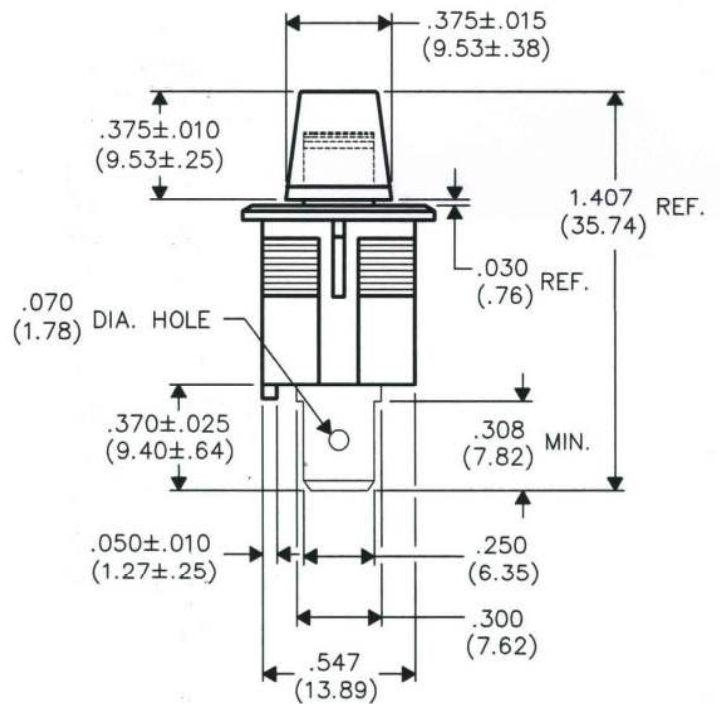
$.375 \pm .010$ (9.53 ± .25)

1.120 (28.45)

$8.0'' \pm .12$ TYP.

BLUE
G-17-003-003

BLACK
G-17-003-004



(LEAD WIRES NOT SHOWN ON THIS VIEW FOR CLARITY)

G-2011-0039