

## Bellows suction cups (round)

SPB1 15 ED-65 G1/8-IG

Part no...:10.01.06.03491

<https://www.schmalz.com/10.01.06.03491>

Home > Vacuum Technology for Automation > Vacuum Components > Vacuum Suction Cups > Suction Cups for the Packaging Industry > Bellows Suction Cups SPB1 (1.5 Folds) > SPB1 15 ED-65 G1/8-IG

### Bellows suction cup (round) for very uneven workpieces



Size: 15

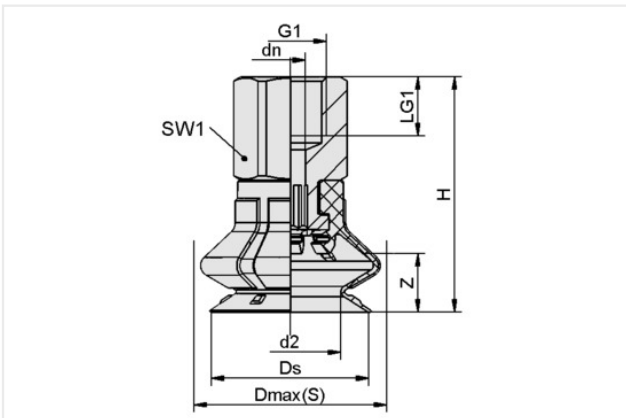
Suction cup material: Elastodur

Material hardness [Shore A]: 65 Shore A

Thread G1: G1/8"-F

Number of folds: 1.5

### Design Data



Attribute	Value
d2	9.50 mm
dn	4.10 mm
Dmax(S)	19.70 mm
Ds	15.40 mm
G1	G1/8"-F
H	29 mm
LG1	8 mm
SW1	14 mm
Z (Stroke)	6 mm

### Technical Data

Attribute	Value
Suction force (-600mbar)	4.30 N
Pull-off force	9 N
Lateral force	5 N
Volume	1.50 cm <sup>3</sup>
Curve radius (min) (convex)	7.50 mm
Hose diameter (empf.) d	4 mm
Size	15
Number of folds	1.50

### Contact Schmalz

Schmalz Inc. | 5850 Oak Forest Drive, Raleigh, NC 27616, United States | +1 (919) 713-0880 | [schmalz.us@schmalz.com](mailto:schmalz.us@schmalz.com)

## Bellows suction cups (round)

SPB1 15 ED-65 G1/8-IG

Part no...:10.01.06.03491

<https://www.schmalz.com/10.01.06.03491>

Suction cup material	Elastodur
Material hardness [Shore A]	65 Shore A
Weight	6.60 g
Product family	SPB1

### Accessories



#### SPI 12 PA SPB1-15

Part no...:10.01.06.03709

Size: 12

Material: Polyamide

Use: SPB1-15

### Spare parts



#### SC 040 G1/8-IG

Part no...:10.01.06.02482

Connection geometry: 040

Connection: G1/8"-F

Length L1: 20.7 mm

Fitting length: 14 mm

Nominal diameter dn: 4.1 mm

## Bellows suction cups (round)

SPB1 15 ED-65 G1/8-IG

Part no...:10.01.06.03491

<https://www.schmalz.com/10.01.06.03491>



**SPB1 15 ED-65 SC040**

Part no...:10.01.06.02783

Size: 15

Suction cup material: Elastodur

Material hardness [Shore A]: 65 Shore A

Number of folds: 1.5