

DO NOT SCALE DRAWING DIMENSION IN METRIC

PROJECT NO. SD-49057-001

SIMILAR ITEM

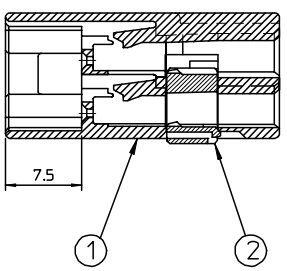
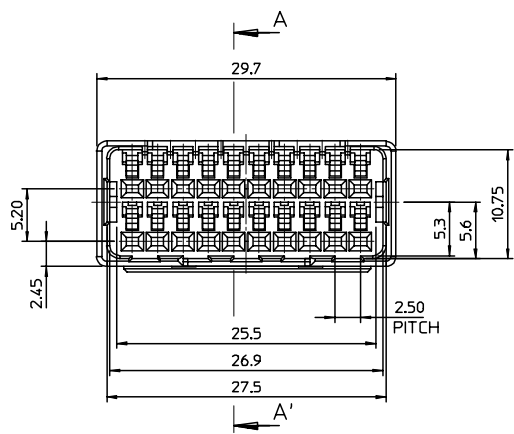
A

B

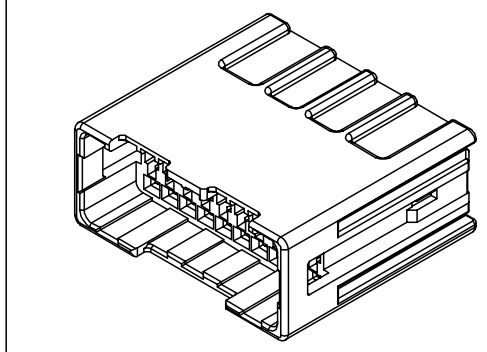
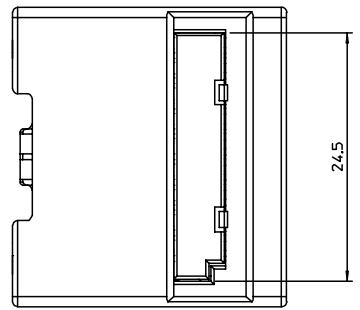
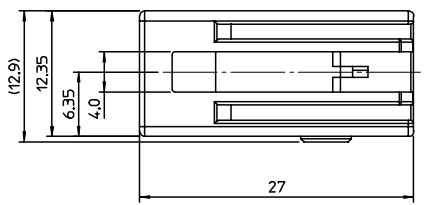
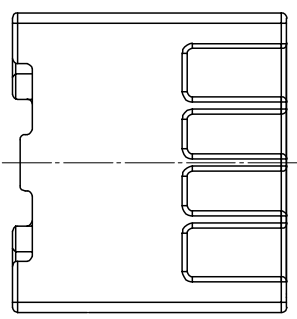
C

8 7 6 5 4 3 2 1

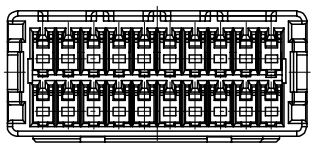
F E D C B A



SECTION A-A'



ISO VIEW



NO.	PART NAME	PART NO.	MATERIAL	REMARKS
1	F/HSG 20P	490572097	POLYESTER	BROWN
2	F/TPA	355642090	POLYESTER	NATURAL

MATERIAL NO.	ENG. NO.
490572017	49057-2017

NEW RELEASE	ECN NO. KOR2005-0006	DRWNS.MKIM 04/09/06	CHK:K.C.YOON 04/09/06	APPR:C.W.LEE
DESCRIPTION	REV			
MAJOR	A			
CRITICAL	C			

QUALITY SYMBOLS
MAJOR
CRITICAL

GENERAL TOLERANCES: (UNLESS SPECIFIED)	
4 PLACES	±0.1
3 PLACES	±0.2
2 PLACES	±0.3
1 PLACE	±0.4
ANGULAR: ± 1 °	
DRAFT WHERE APPLICABLE MUST REMAIN WITHIN DIMENSIONS	

SCALE	DESIGN UNITS
2:1	<input checked="" type="checkbox"/> mm <input type="checkbox"/> INCH
DRAWN BY & DATE	
S.M.KIM 04/03/29	
CHECKED BY & DATE	
B.C.YOON 2004/03/29	
APPROVED BY & DATE	
C.W.LEE 2004/03/29	
CAD FILENAME	
SD49057.MI	

DIMENSIONS:		SHT		REV
<input type="checkbox"/> mm	<input type="checkbox"/> INCH	<input checked="" type="checkbox"/> mm	<input type="checkbox"/> ONLY	REVISE ON CAD ONLY
TITLE:				
JOINT FEMALE CONN. ASS'Y 20P				
MOLEX INCORPORATED				
MATERIAL NO.	DRAWING NO.	SHEET NO.		SIZE
SEE TABLE	SD-49057-001	10F1		B
THIS DRAWING CONTAINS INFORMATION THAT IS PROPRIETARY TO MOLEX INCORPORATED AND SHOULD NOT BE USED WITHOUT WRITTEN PERMISSION.				

8 7 6 5 4 3 2 1 KOREA MX-A3