

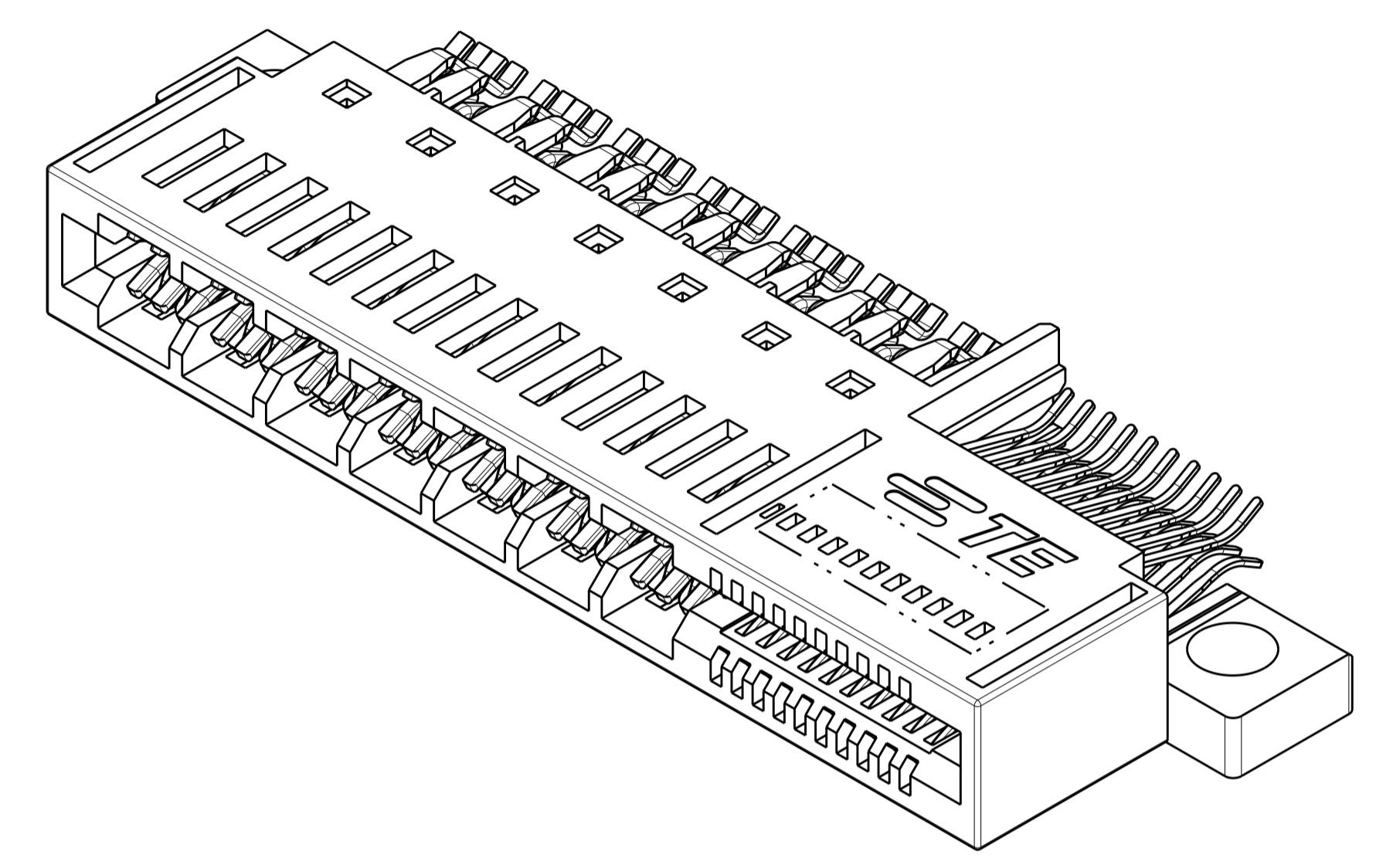
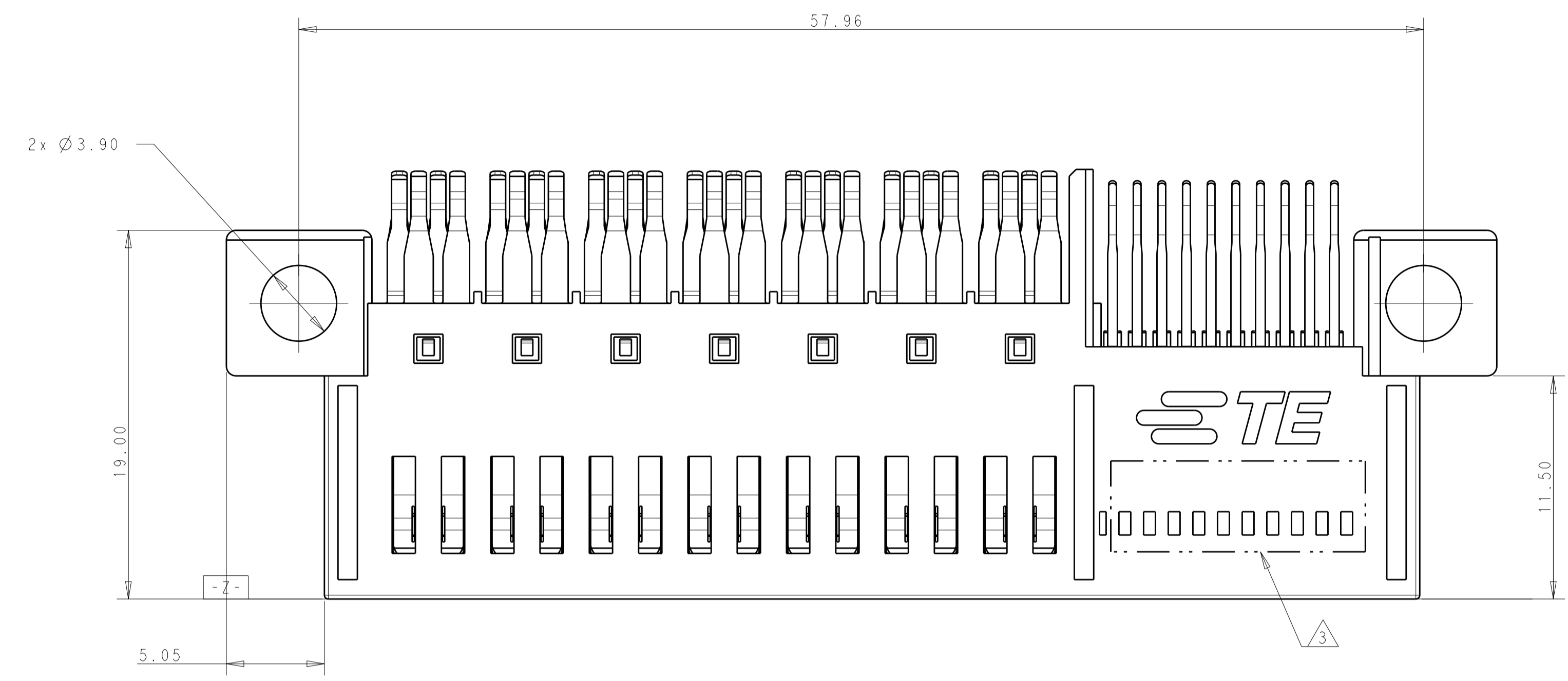
REVISIONS				
P	LTN	DESCRIPTION	DATE	OWN APVD
A		FIRST RELEASE	23JUN2020	SZ SZ

NOTES, UNLESS OTHERWISE SPECIFIED

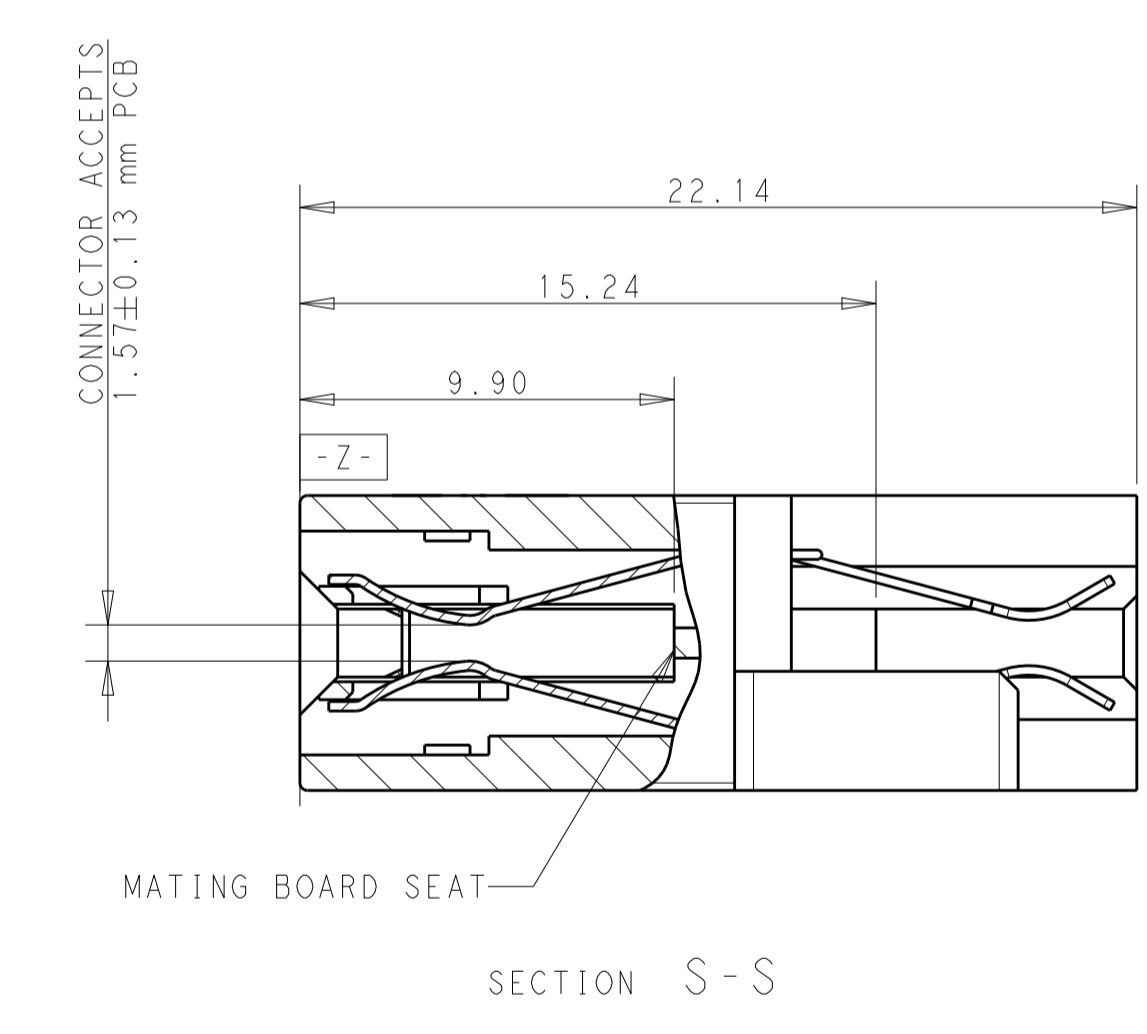
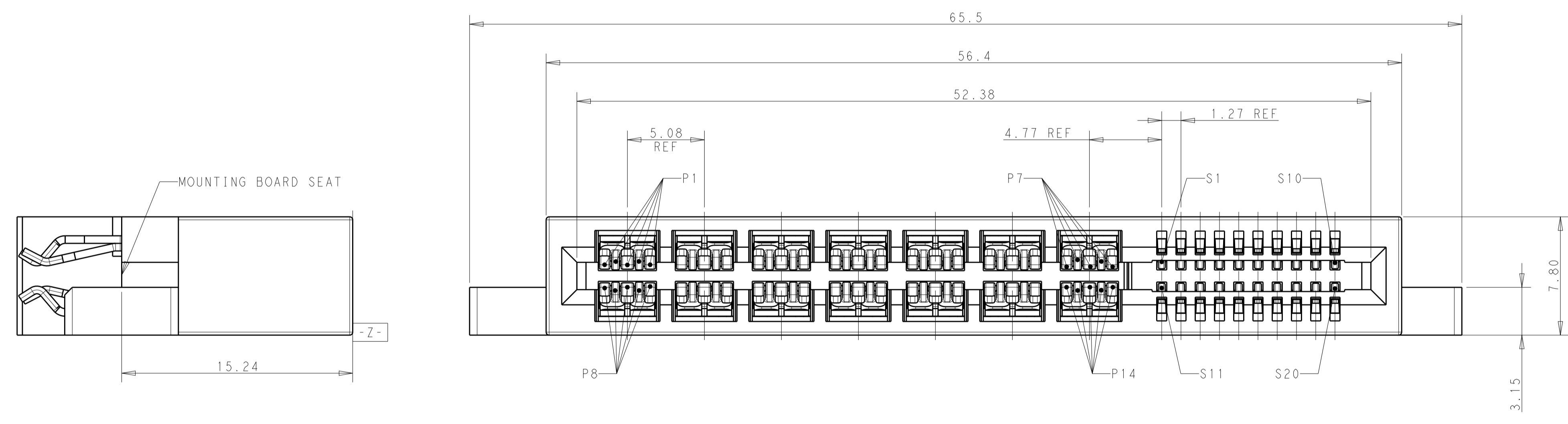
1. MATERIAL:  
 HOUSING - THERMOPLASTIC, GLASS PREINFORCED, COLOR, BLACK, UL 94V-0  
 CONTACTS - COPPER ALLOY.

2. FINISH:  
 MATING AREA - NOBLE METAL OVERALL NICKEL.  
 SOLDER TAIL - MATTE TIN OVERALL NICKEL.

3. MARK P/N AND DATA CODE IN APPROX. AREA AS SHOWN.



SCALE 4:1

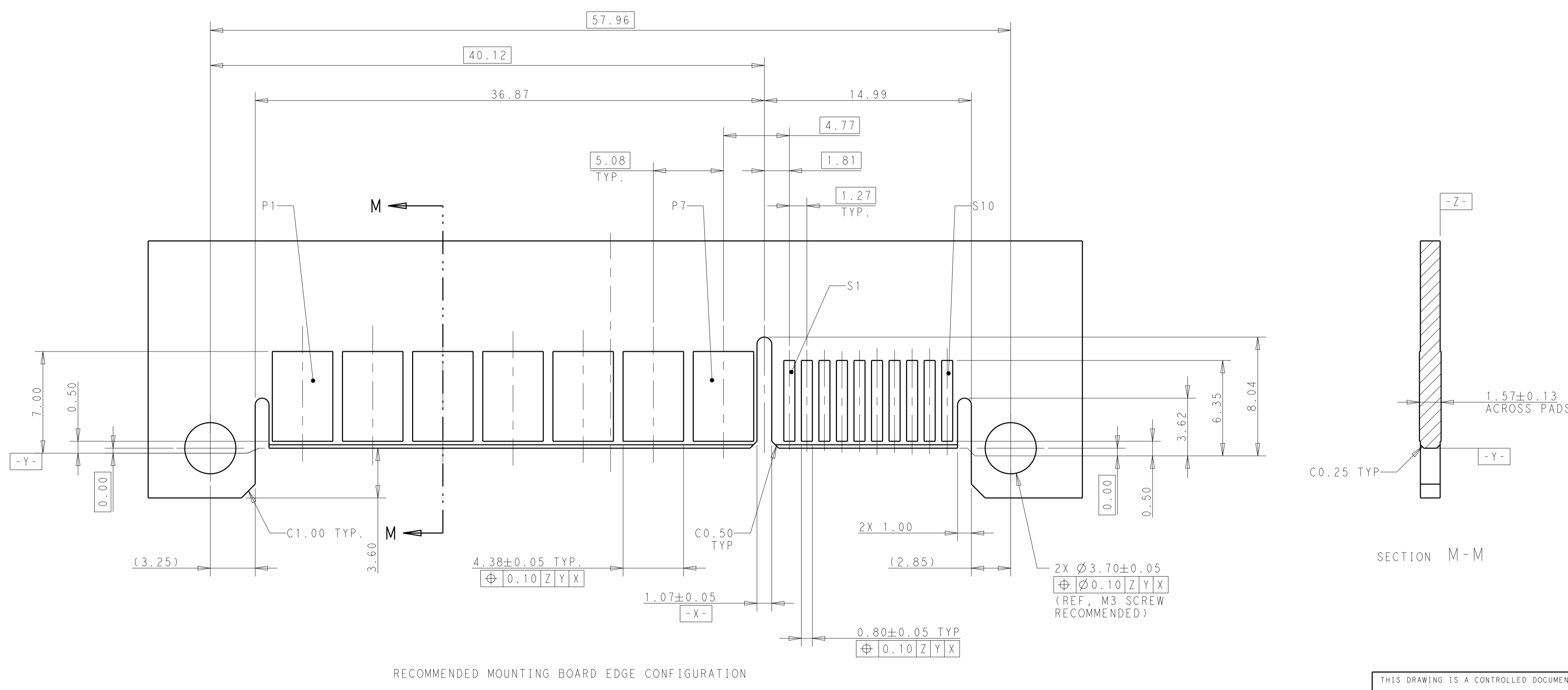
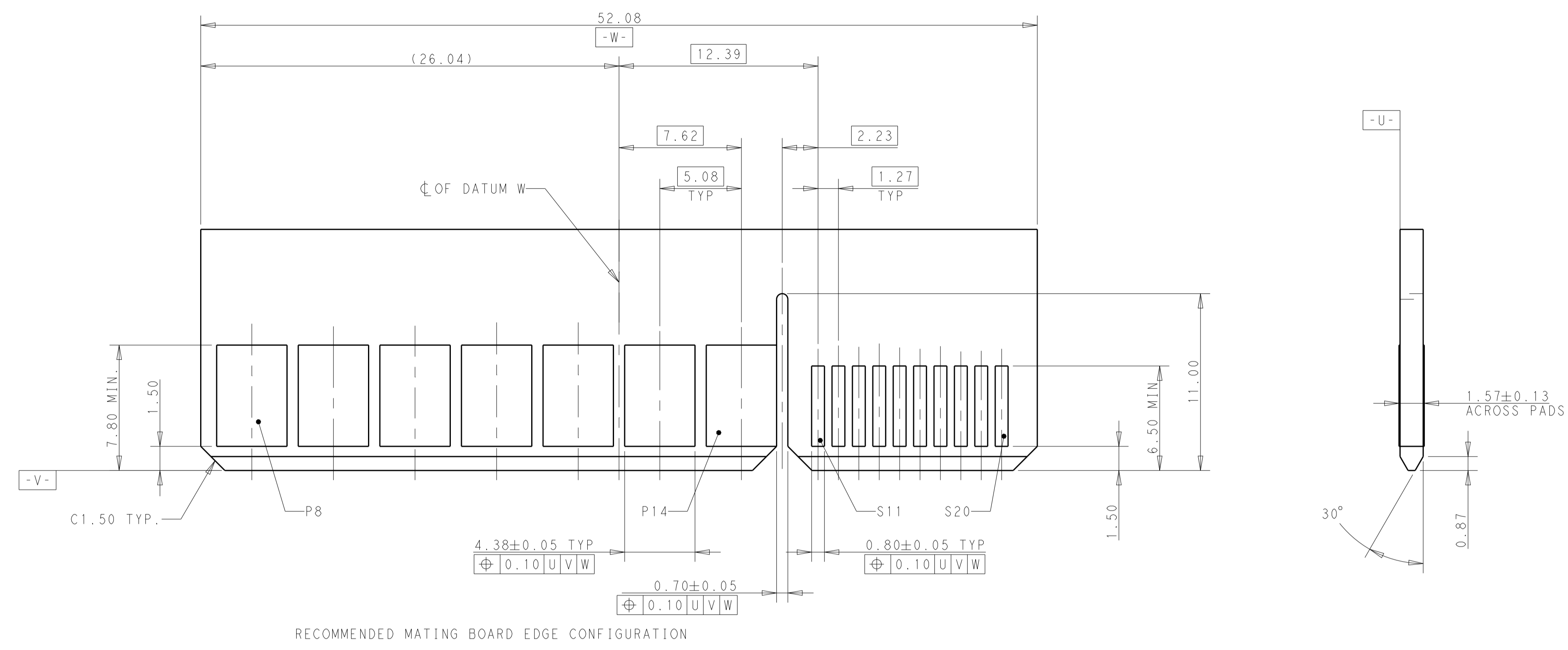


SECTION S-S

PART NUMBER 2360411-1

THIS DRAWING IS A CONTROLLED DOCUMENT.		OWN: SEAN ZHANG 30JUL2019	TE Connectivity	
DIMENSIONS: mm		CHK: SUNY ZHAO 30JUL2019	NAME: HD+ CARD EDGE 2X7P-2X10S, STRA, WITH M-EAR	
TOLERANCES UNLESS OTHERWISE SPECIFIED:		APVD: SUNY ZHAO 30JUL2019	PRODUCT SPEC	
0 PLC ±0.25		APPLICATION SPEC		
1 PLC ±0.5		SIZE: A1		
2 PLC ±0.75		CAGE CODE: C=2360411		
3 PLC ±1.0		DRAWING NO: 2360411-1		
4 PLC ±1.5		RESTRICTED TO: A		
ANGLES ±0.5		SCALE: 2:1		
FINISH		SHEET 1 OF 2		
MATERIAL		REV: A		
CUSTOMER DRAWING		SCALE: 2:1 SHEET 1 OF 2 REV: A		

REVISIONS				
P.	LTH	DESCRIPTION	DATE	APVD
		SEE SHEET 1		



THIS DRAWING IS A CONTROLLED DOCUMENT.		OWN: SEAN ZHANG	30JUL2019	TE Connectivity
DIMENSIONS: mm		CHK: SUNY ZHAO	30JUL2019	
TOLERANCES UNLESS OTHERWISE SPECIFIED:		APVD: SUNY ZHAO	30JUL2019	NAME: HD+ CARD EDGE
0 PLC	±	PRODUCT SPEC		2X7P-2X10S, STRA, WITH M-EAR
1 PLC	±0.10	APPLICATION SPEC		
2 PLC	±0.05			
3 PLC	±			
4 PLC	±			
ANGLES	±			
MATERIAL: TBD		WEIGHT: -	SIZE: A1	RESTRICTED TO: -
		CUSTOMER DRAWING	CAGE CODE: -	DRAWING NO: C=2360411
			SCALE: 2:1	SHEET 2 OF 2
				REV: A