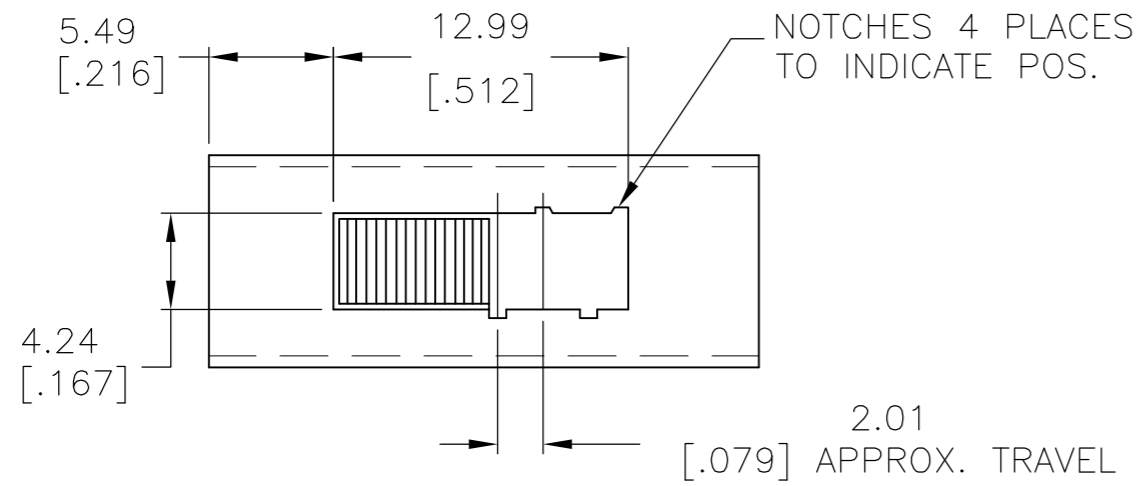


THIS DRAWING IS UNPUBLISHED. RELEASED FOR PUBLICATION  
 © COPYRIGHT - By - ALL RIGHTS RESERVED.

LOC		DIST		REVISIONS			
P	LTR	DESCRIPTION	DATE	DWN	APVD		
A1		REVISED PER ECO-11-005027	11MAR11	RK	HMR		



SPECIFICATIONS:  
 MAKE-BEFORE-BREAK

MATERIALS:

- ACTUATOR - NYLON 66 UL94V-0, BLACK
- FRAME - TIN PLATED STEEL
- TERMINAL BOARD - PHENOLIC LAMINATE UL94HB, NATURAL
- TERMINAL (SILVER) - COPPER ALLOY- SILVER OVER NICKEL PLATE
- TERMINAL (GOLD) - COPPER ALLOY- TIN OVER NICKEL PLATE
- FIXED CONTACT (SILVER) - COPPER ALLOY- SILVER OVER NICKEL PLATE
- FIXED CONTACT (GOLD) - COPPER ALLOY-GOLD OVER NICKEL PLATE
- MIVING CONTACT (SILVER) - COPPER ALLOY- SILVER OVER NICKEL PLATE
- MIVING CONTACT (GOLD) - COPPER ALLOY-GOLD OVER NICKEL PLATE
- DETENT BALL - STAINLESS STEEL
- COIL SPRING - TEMPERED STEEL WIRE
- SEAL - EPOXY

ELECTRICAL:

- CONTACT RATING - .4VA@20VDC OR PEAK AC (GOLD)
- 300mA@125V AC (SILVER)
- INITIAL CONTACT RESISTANCE - 30milliohm max.
- FINAL CONTACT RESISTANCE - 100milliohm max> (AFTER TEST)
- INSULATION RESISTANCE - 1,000Megohms min."
- DIELECTRIC STRENGTH - 500V RMS@SEA LEVEL
- LIFE EXPECTANCY - 15,000 CYCLES MIN."

MECHANICAL:

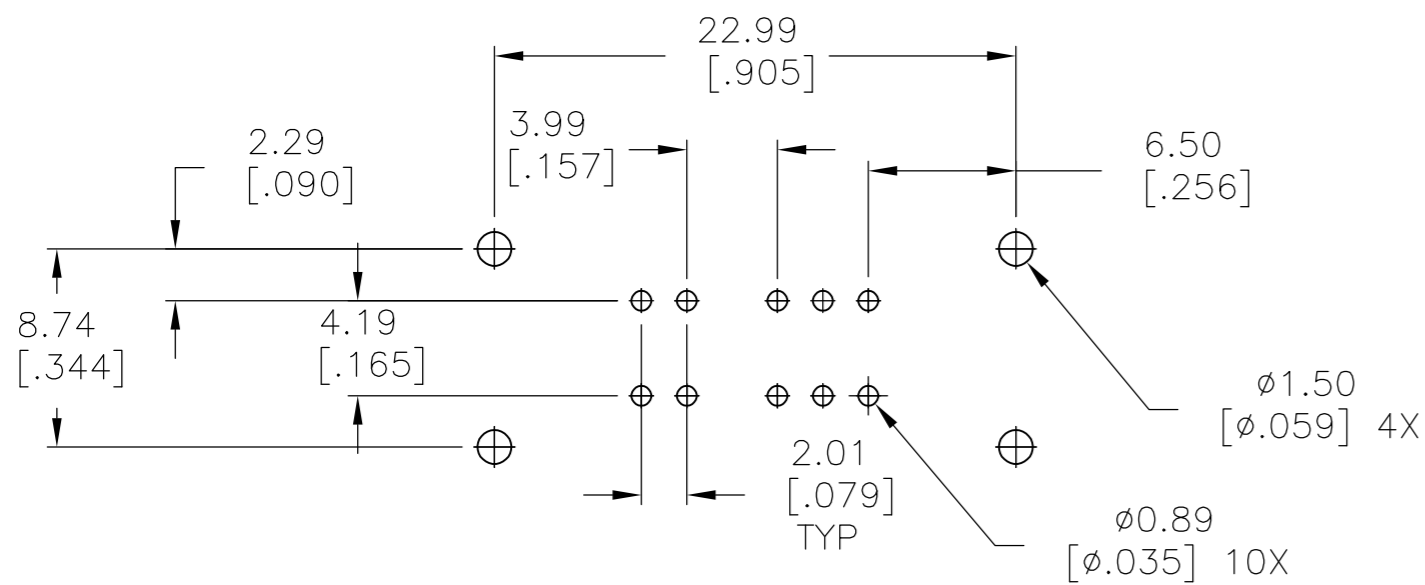
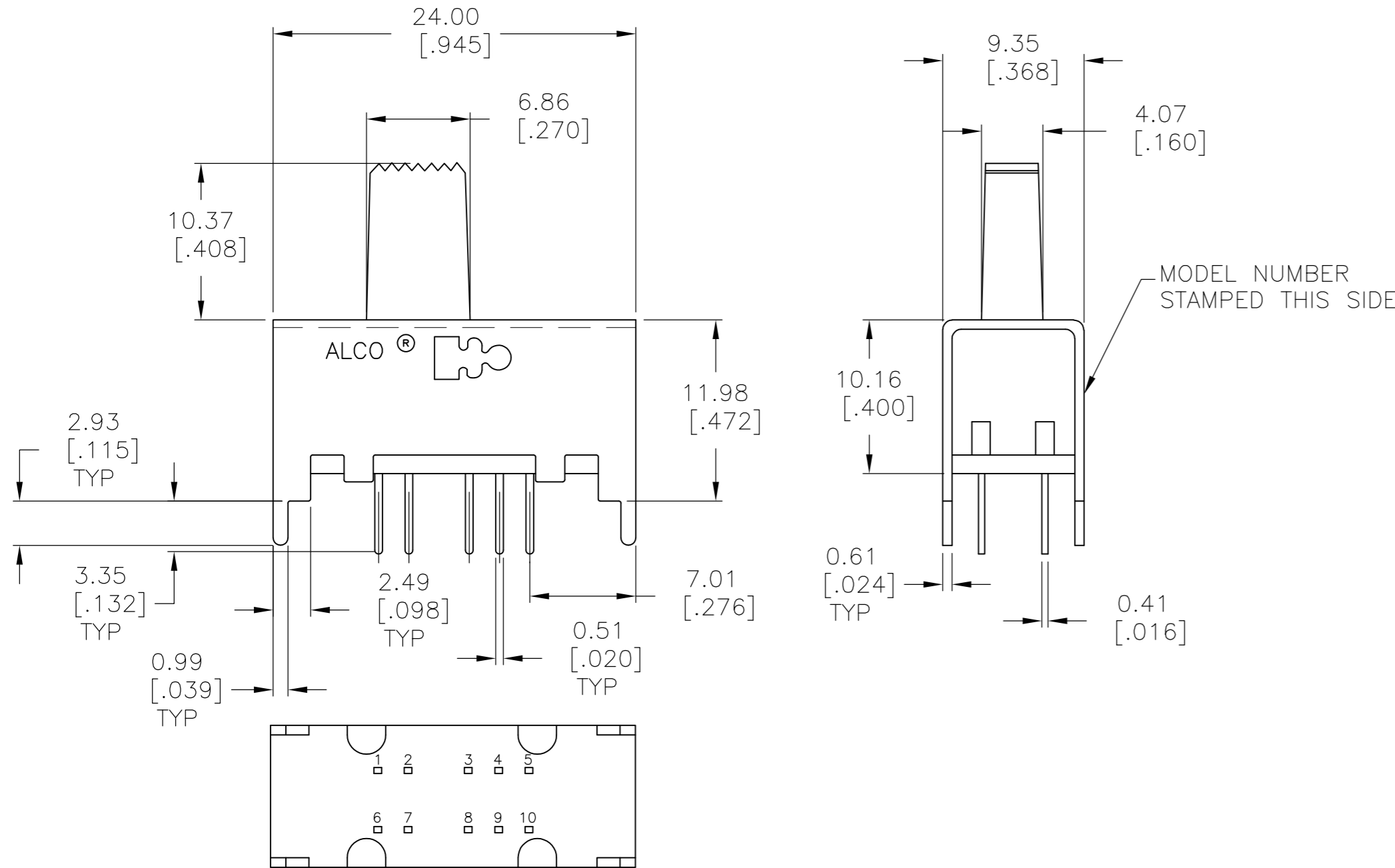
- ACTUATION FORCE - 600±300 GRAMS
- TRAVEL - 2.00±0.51[.079±.020]

ENVIRONMENTAL:

- OPERATING TEMPERATURE - -20 TO +85 DEGREES C
- STORAGE TEMPERATURE - -40 TO +100 DEGREES C
- RESISTANCE TO SOLDER HEAT PER 109-202, CONDITION B
- SOLDERABILITY PER EIA- 364-52, CLASS 2, CATEGORY 1, 95% MIN COVERAGE

NOTES:

- ALL MATERIALS AND FINISHES SHALL COMPLY WITH EU DIRECTIVE 2002 95/EC OF 27JAN2003 (ROHS).
- ANTI SOLDER WICK SEAL AT TERMINAL TO BOARD INTERFACE.



PC BOARD LAYOUT, TOP VIEW  
 RECOMMENDED TOLERANCES ±.002

1,3&6,8	2,3&7,8	3,4&8,9	3,5&8,10	DP4T	GOLD	MSSA2450G04	1825200-2	
1,3&6,8	2,3&7,8	3,4&8,9	3,5&8,10	DP4T	SILVER	MSSA245004	1825200-1	
				TYPE	CONTACT PLATING	ALCO P/N	P/N	
LEFT	LEFT CENTER	RIGHT CENTER	RIGHT					
ACTUATOR POSITION								
THIS DRAWING IS A CONTROLLED DOCUMENT.				DWN	C.THEODORE 23SEP96			
DIMENSIONS: mm [INCHES]				CHK	-			
TOLERANCES UNLESS OTHERWISE SPECIFIED:				APVD	-			
0 PLC ± -				PRODUCT SPEC	-			
1 PLC ± -				APPLICATION SPEC	-			
2 PLC ± 0.25[.010]				WEIGHT	-			
3 PLC ± -				SCALE	A2 00779 C=1825200			
4 PLC ± -				SHEET	1 OF 1			
ANGLES ± 1°				REV	A1			
MATERIAL SEE SPECIFICATIONS				CUSTOMER DRAWING				