

13 12 11 10 9 8 7 6 5 4 3 2 1

MATERIALS AND FINISHES

MATERIALS:

BODY, FRONT -- BRASS
PLATED NICKEL

BODY, BASE -- BRASS
PLATED TIN

CENTER CONTACT -- BRASS
PLATED GOLD

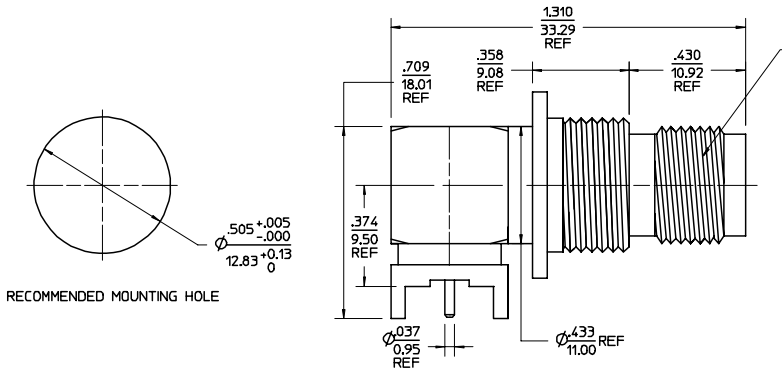
INSULATOR -- TEFLON

COVER -- BRASS
PLATED NICKEL

RETAINING RING --BRASS
PLATED NICKEL

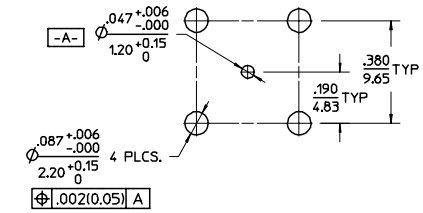
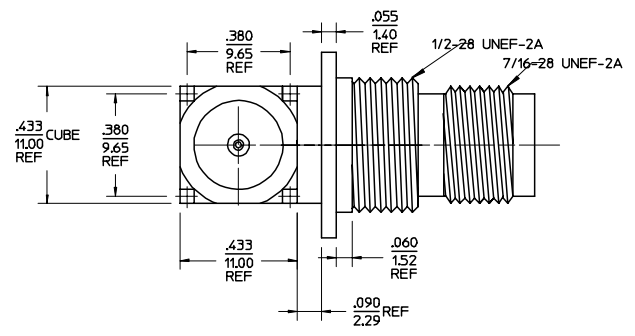
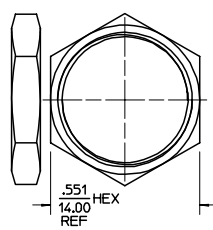
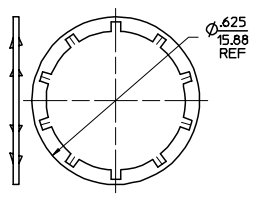
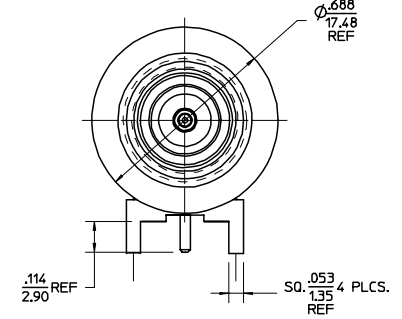
JAM NUT -- BRASS
PLATED NICKEL

LOCK WASHER -- PHOSPHOR BRONZE
PLATED NICKEL



RECOMMENDED MOUNTING HOLE

TNC JACK REVERSE POLARITY



PART # 73216-1120

<p>CHG: PLATING WAS TIN/LEAD ON BASE BODY.</p>	<p>EC NO: URF2008-0112 DRAWN: ARROBERTSON 2007/08/22 CHKD: 2007/08/22 APPR: JIM ENEER 2007/08/29</p>	<p>QUALITY SYMBOLS </p>	GENERAL TOLERANCES (UNLESS SPECIFIED)		DIMENSION STYLE IN/MM		SCALE	DESIGN UNITS INCH	THIRD ANGLE PROJECTION		
										<p>TNC, JACK R/A PCB REVERSE POLAR 50 OHMS EWR-2063, TNC-J/PCB/RP</p> <p>molex MOLEX INCORPORATED</p>	
			4 PLACES ±	±	DRAWN BY AZR	DATE 2003/05/16	TITLE				
			3 PLACES ±	±	CHECKED BY	DATE 2003/06/23					
2 PLACES ±	±	APPROVED BY GMH	DATE 2003/06/23								
1 PLACE ±	±	ANGULAR ±1/2°		MATERIAL NO. 732161120	DOCUMENT NO. SD-73216-112	SHEET NO. 1 OF 1					
DRAFT WHERE APPLICABLE MUST REMAIN WITHIN DIMENSIONS			SIZE C		THIS DRAWING CONTAINS INFORMATION THAT IS PROPRIETARY TO MOLEX INCORPORATED AND SHOULD NOT BE USED WITHOUT WRITTEN PERMISSION						

12 11 10 9 8 7 6 5 4 3 2 1