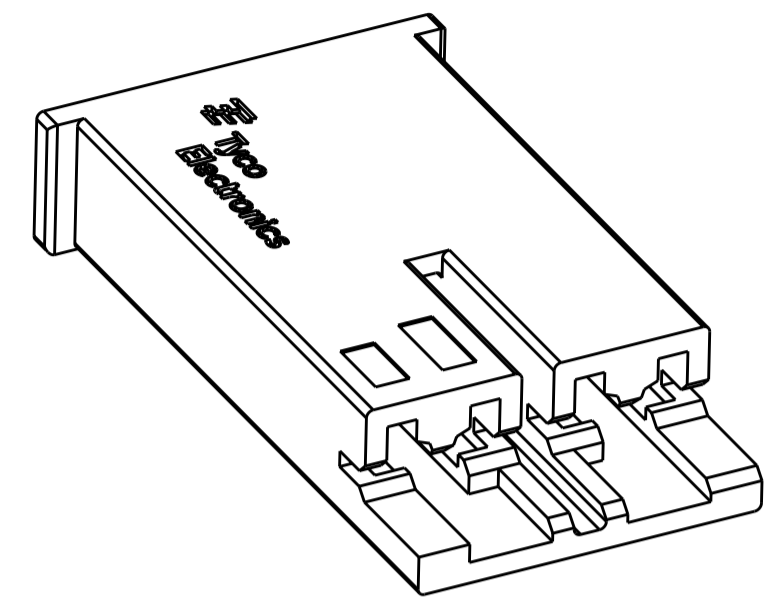
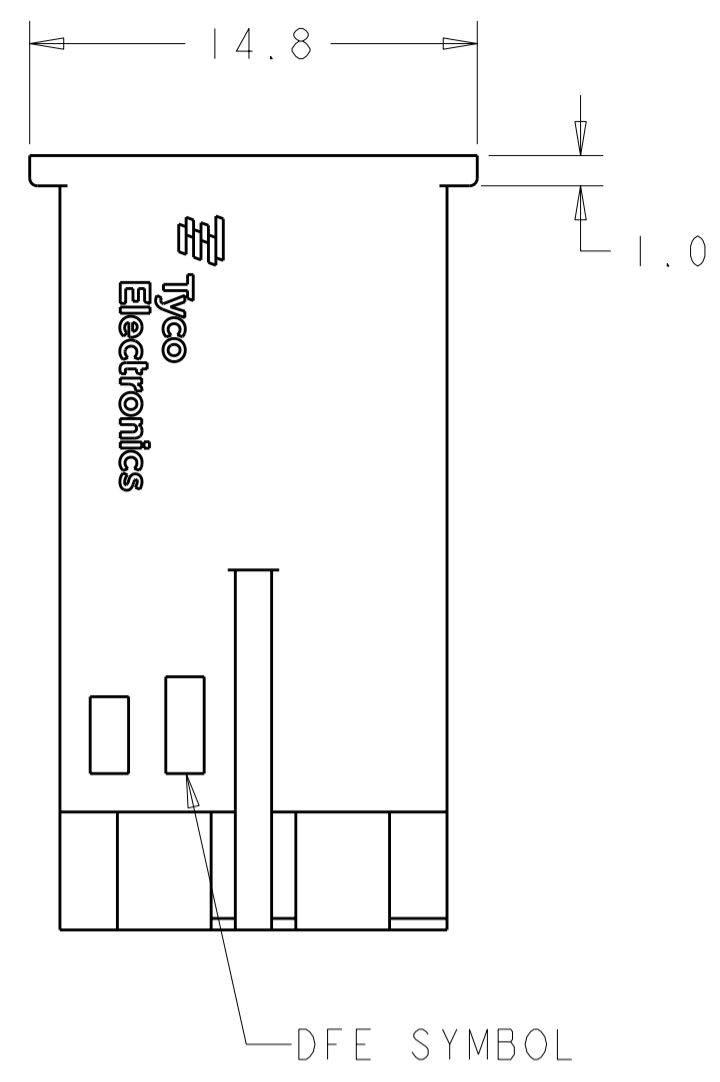
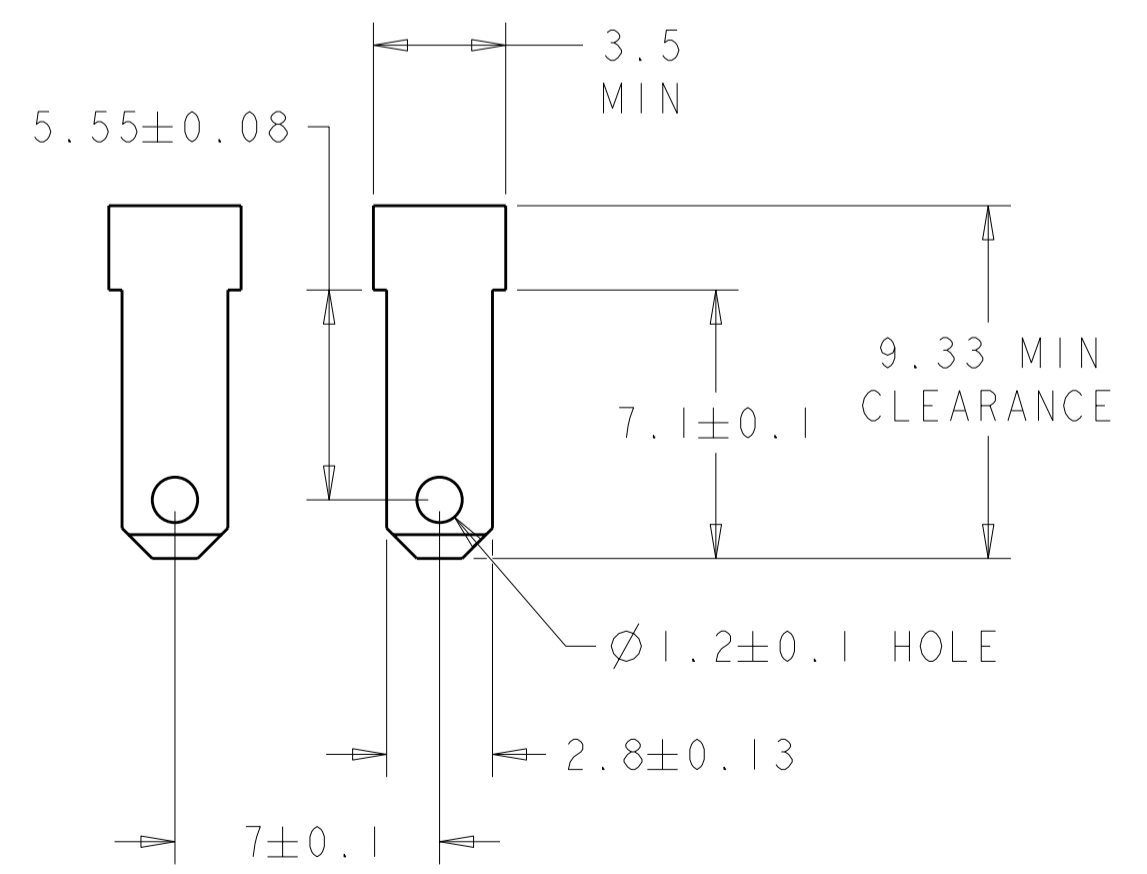
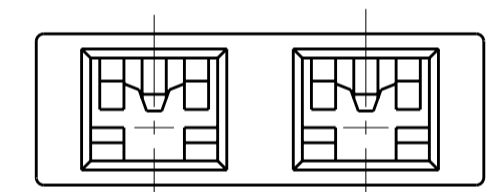
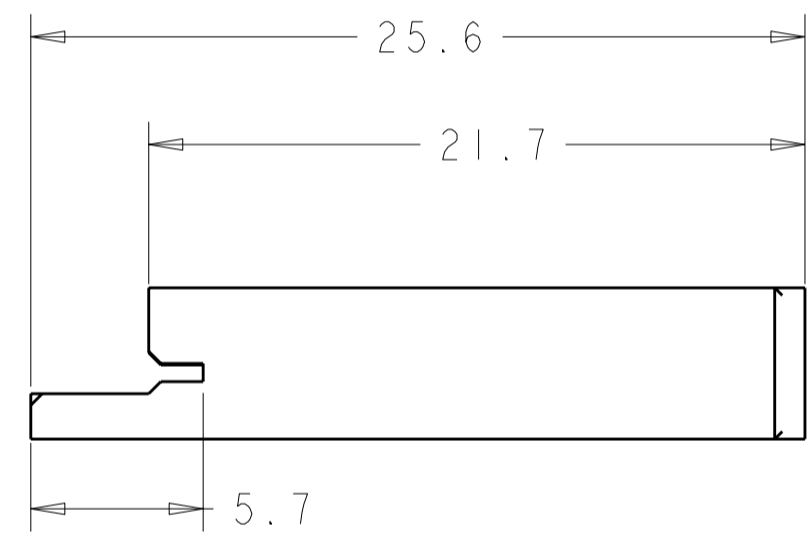
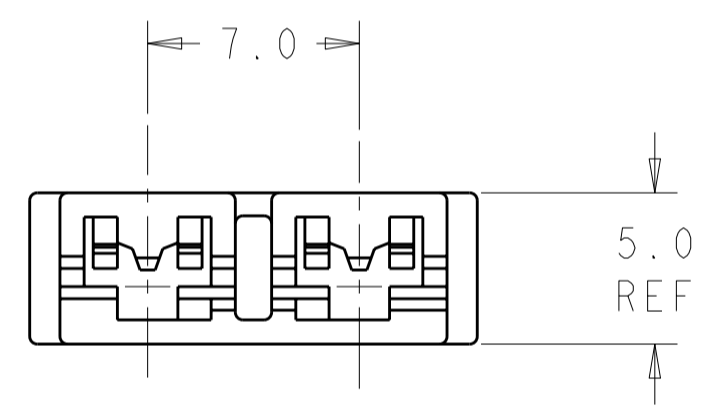


THIS DRAWING IS UNPUBLISHED. RELEASED FOR PUBLICATION 20
 © COPYRIGHT 20 BY TYCO ELECTRONICS CORPORATION. ALL RIGHTS RESERVED.

LOC	DIST	REVISIONS			
P	LTR	DESCRIPTION	DATE	DWN	APVD
AF	50	B1	REVISED PER ECR-09-016756	27JUL2009	HMR GP



1 RECOMMENDED RECEPTACLE CONTACT IS .110 SERIES P/N 175411-5



SCALE 5:1
 MATING TAB DIMENSIONS

<PA46>	4/6 NYLON, V2 COLOR-BLACK	1969227-1
DFE SYMBOL	MATERIAL	PART NUMBER
<small>THIS DRAWING IS A CONTROLLED DOCUMENT FOR TYCO ELECTRONICS CORPORATION. IT IS SUBJECT TO CHANGE AND THE CONTROLLING ENGINEERING ORGANIZATION SHOULD BE CONTACTED FOR THE LATEST REVISION.</small> DIMENSIONS: mm TOLERANCES UNLESS OTHERWISE SPECIFIED: 0 PLC ±.25 1 PLC ±.25 2 PLC ±.25 3 PLC ±. 4 PLC ±. ANGLES ±. FINISH ±. MATERIAL SEE TABLE SEE TABLE		DWN JR RUTH 13NOV08 CHK ED HOWARD 13NOV08 APVD ED HOWARD 13NOV08 PRODUCT SPEC - APPLICATION SPEC - WEIGHT - CUSTOMER DRAWING
Tyco Electronics Harrisburg, PA 17105-3608 NAME HOUSING, RECEPTACLE, POSITIVE-LOCK, 110 SERIES SIZE A200779 CAGE CODE C-1969227 DRAWING NO 1969227 RESTRICTED TO		SCALE 4:1 SHEET 1 OF 1 REV B1