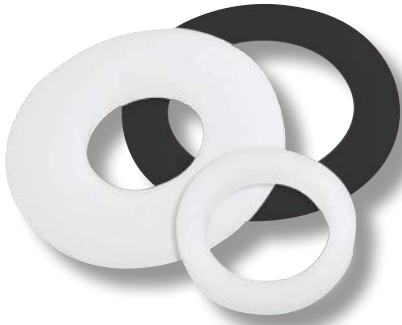
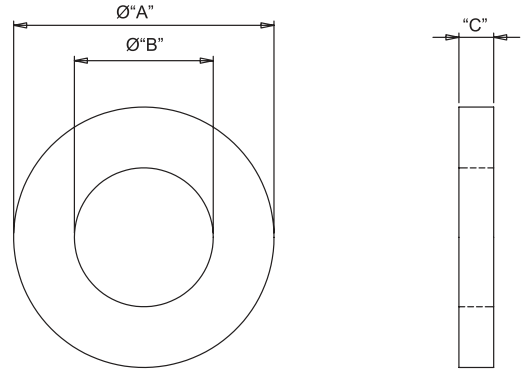


FW
Nylon Flat Washer



- Increases the surface area in order to more evenly distribute the force applied with tightening a screw
- Can create protective gap between fastener and mounting surface



Material: UL94 V-2 Nylon 6/6 Standard Pack: 1,000 per bag					
Part No.		Ø\"B\" I.D.	Ø\"A\" O.D.	\"C\"	Fits Thread
Color					
Natural	Black				
FW0004A	FW0004B	.032 (.8)	.125 (3.2)	.060 (1.5)	—
FW0010A	FW0010B	.090 (2.3)	.250 (6.4)	.032 (.8)	#2 (M2)
FW0020A	FW0020B			.062 (1.6)	
FW0030A	FW0030B			.093 (2.4)	
FW0040A	FW0040B			.125 (3.2)	
FW0042A	FW0042B			.094 (2.4)	
FW0045A	FW0045B	.104 (2.6)	.220 (5.6)	.031 (.8)	
FW0050A	FW0050B	.115 (2.9)	.250 (6.4)	.032 (.8)	#4 (M2.5)
FW0060A	FW0060B			.062 (1.6)	
FW0070A	FW0070B			.093 (2.4)	
FW0080A	FW0080B			.125 (3.2)	
FW0082A	FW0082B			.120 (3.0)	
FW0084A	FW0084B	.125 (3.2)	.235 (6.0)	.040 (1.0)	#6 (M3.5)
FW0085A	FW0085B			.375 (9.5)	
FW0086A	FW0086B	.130 (3.3)	.318 (8.1)	.062 (1.6)	#8 (M4)
FW0088A	FW0088B			.355 (9.0)	
FW0090A	FW0090B	.140 (3.6)	.312 (7.9)	.032 (.8)	#10 (M4)
FW0100A	FW0100B			.062 (1.6)	
FW0110A	FW0110B			.093 (2.4)	
FW0120A	FW0120B			.125 (3.2)	
FW0122A	FW0122B			.141 (3.6)	
FW0124A	FW0124B	.156 (4.0)	.320 (8.1)	.031 (.8)	#12 (M6)
FW0126A	FW0126B			.375 (9.5)	
FW0130A	FW0130B	.171 (4.3)	.375 (9.5)	.032 (.8)	#14 (M6)
FW0140A	FW0140B			.062 (1.6)	
FW0150A	FW0150B			.093 (2.4)	
FW0160A	FW0160B			.125 (3.2)	
FW0164A	FW0164B			.187 (4.7)	
FW0166A	FW0166B	.189 (4.8)	.505 (12.8)	.032 (.8)	#16 (M6)
FW0167A	FW0167B			.031 (.8)	
FW0170A	FW0170B	.194 (4.9)	.375 (9.5)	.032 (.8)	#18 (M6)
FW0180A	FW0180B			.062 (1.6)	
FW0190A	FW0190B			.093 (2.4)	
FW0200A	FW0200B			.125 (3.2)	
FW0201A	FW0201B			.625 (15.9)	
FW0202A	FW0202B	.195 (5.0)	.437 (11.1)	.020 (.5)	#20 (M8)
FW0203A	FW0203B			.031 (.8)	
FW0204A	FW0204B	.200 (5.1)	.500 (12.7)	.062 (1.6)	
FW0205A	FW0205B	.219 (5.6)	.500 (12.7)	.156 (4.0)	#22 (M8)
FW0206A	FW0206B			.375 (9.5)	
FW0207A	FW0207B	.250 (6.4)	.625 (15.9)	.062 (1.6)	#24 (M8)
FW0208A	FW0208B			.622 (15.8)	
FW0210A	FW0210B	.257 (6.5)	.500 (12.7)	.032 (.8)	1/4 (M6)
FW0220A	FW0220B			.062 (1.6)	

Material: UL94 V-2 Nylon 6/6 Standard Pack: 1,000 per bag						
Part No.		Ø\"B\" I.D.	Ø\"A\" O.D.	\"C\"	Fits Thread	
Color						
Natural	Black					
FW0230A	FW0230B	.257 (6.5)	.500 (12.7)	.093 (2.4)	1/4 (M6)	
FW0240A	FW0240B			.125 (3.2)		
FW0241A	FW0241B			.625 (15.9)		.020 (.5)
FW0242A	FW0242B			.750 (19.1)		.062 (1.6)
FW0243A	FW0243B			.875 (22.2)		.062 (1.6)
FW0244A	FW0244B	.260 (6.6)	.562 (14.3)	.062 (1.6)	5/16 (M7)	
FW0245A	FW0245B			.687 (17.5)		.125 (3.2)
FW0246A	FW0246B	.281 (7.1)	.490 (12.5)	.030 (.8)	3/8 (M9)	
FW0247A	FW0247B			.719 (18.3)		.062 (1.6)
FW0248A	FW0248B			.625 (15.9)		.031 (.8)
FW0249A	FW0249B	.315 (8)	.872 (22.1)	.062 (1.6)	7/16 (M11)	
FW0250A	FW0250B			.032 (.8)		
FW0260A	FW0260B	.317 (8.1)	.500 (12.7)	.062 (1.6)	1/2 (M12)	
FW0270A	FW0270B			.093 (2.4)		
FW0280A	FW0280B			.125 (3.2)		
FW0281A	FW0281B			.750 (19.1)		.062 (1.6)
FW0282A	FW0282B			.321 (8.2)		.625 (15.9)
FW0283A	FW0283B	.323 (8.2)	.750 (19.1)	.125 (3.2)	7/16 (M11)	
FW0285A	FW0285B	.340 (8.6)	.740 (18.8)	.062 (1.6)		
FW0286A	FW0286B	.343 (8.7)	.885 (22.5)	.062 (1.6)	1/2 (M12)	
FW0287A	FW0287B			.505 (12.8)		.050 (1.3)
FW0290A	FW0290B	.375 (9.5)	.625 (15.9)	.032 (.8)	3/8 (M9)	
FW0292A	FW0292B			.750 (19.1)		.062 (1.6)
FW0294A	FW0294B	.377 (9.6)	.875 (22.2)	.062 (1.6)	7/16 (M11)	
FW0300A	FW0300B			.062 (1.6)		
FW0310A	FW0310B	.380 (9.7)	.625 (15.9)	.093 (2.4)	1/2 (M12)	
FW0320A	FW0320B			.125 (3.2)		
FW0296A	FW0296B	.390 (9.9)	.688 (17.5)	.031 (.8)	3/8 (M9)	
FW0322A	FW0322B			.062 (1.6)		
FW0324A	FW0324B	.406 (10.3)	.750 (19.1)	.032 (.8)	7/16 (M11)	
FW0326A	FW0326B			.200 (5.1)		
FW0328A	FW0328B	.443 (11.3)	1.000 (25.4)	.062 (1.6)	1/2 (M12)	
FW0330A	FW0330B			.032 (.8)		
FW0340A	FW0340B	.443 (11.3)	.750 (19.1)	.062 (1.6)	7/16 (M11)	
FW0350A	FW0350B			.093 (2.4)		
FW0360A	FW0360B	.500 (12.7)	1.500 (38.1)	.125 (3.2)	1/2 (M12)	
FW0362A	FW0362B			.062 (1.6)		
FW0370A	FW0370B	.505 (12.8)	.750 (19.1)	.032 (.8)	3/8 (M9)	
FW0380A	FW0380B			.062 (1.6)		
FW0390A	FW0390B	.516 (13.1)	1.250 (31.8)	.062 (1.6)	1/2 (M12)	
FW0400A	FW0400B			.125 (3.2)		
FW0404A	FW0404B	.522 (13.3)	.712 (18.1)	.062 (1.6)	1/2 (M12)	
FW0410A	FW0410B	.540 (13.7)	1.120 (28.4)	.125 (3.2)		
FW0415A	FW0415B	.765 (19.4)	1.250 (31.8)	.080 (2.0)	—	
FW0450A	FW0450B					