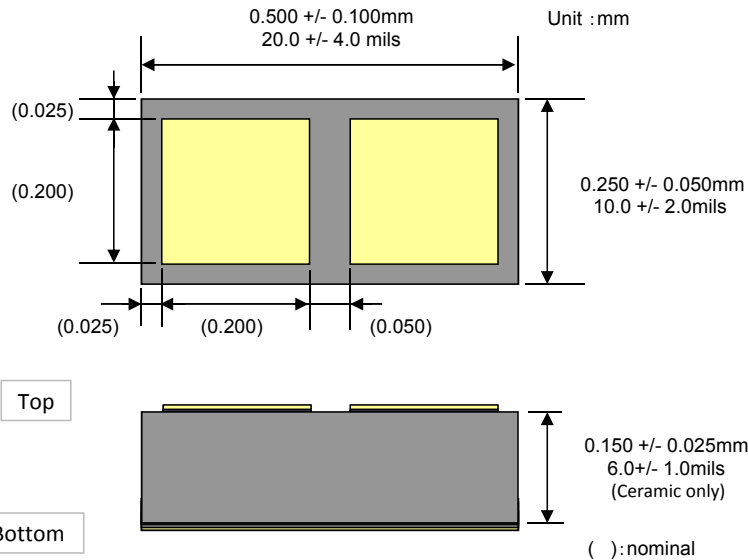




TECDIA CO., LTD.
 2F Tamachi Kiyota Bldg.
 4-3-4 Shibaura Minato-ku, Tokyo 108-0023 Japan
 TEL: 81-3-5765-5400 FAX: 81-3-5765-5404

SPECIFICATION SHEET



Manufactured to metric dimensions. Imperial units are for reference only.

| | |
|--|--|
| Part Number: | L2SK00A101N10A6 |
| Dielectric Constant(K): | 16000 |
| Capacitance Value: | 100[pF] @ 1kHz, 1 Vrms, 25°C, No DC Bias |
| Capacitance tolerance: | N (tolerance: ± 30%) |
| Dissipation Factor (DF): | 6.0% Max @ 1kHz, 1 Vrms, 25°C, No DC Bias |
| Rated working voltage: | 50 V |
| Insulation Resistance (IR): | 10,000MΩ Min @ 50Vdc, 25°C |
| Dielectric Withstanding Voltage (DWV): | No breakdown @ 125Vdc x 2sec, 25°C |
| Temperature Characteristic of Capacitance: | ±22% (X7S @ -55 °C to +125 °C) @ No DC Bias |
| DC Bias characteristics: | -35% @ 50Vdc, 1kHz, 1Vrms, 25°C |
| Metallization: | |
| Top: | TiW-Au 4.0μm Min |
| Bottom: | Ti-Pt-Au 0.5μm Min |

NOTES:

- Other specifications not listed are available at www.tecdia.com. Specifications are subject to change without prior notice.
- RoHs compliant.
- Wire bonding location should be 25μm or further from the edges of electrode to avoid electrode peeling.
- Capacitance, Temperature Coefficient and Dissipation Factor are measured before any AC or DC bias has been applied.
- Recommended Storage Conditions (Waffle Packaging): 23 +/- 10°C @ 60% RH Max
- Guaranteed Shelf Life: Within 1 year after delivery under recommended storage conditions.
- Successful wire bonding and die attachment are dependent on the types of bonding tools and conditions used. Please check the wire bonding and die attach conditions of your site to prevent wire/electrode peeling or detaching.
Tecdia is not responsible for mechanical issues such as cracking or detaching that can occur when solder die mounting.
- Electrical characteristics are measured between top and bottom electrodes only.
No bias voltage should be applied between electrodes on top surface.

| | | |
|--------------|---------------------|--------------|
| PREPARED BY: | DESCRIPTION: | REV.: 3 |
| H. Sakamoto | Row - Capacitor | SCALE: |
| 2017/9/19 | | Not to Scale |
| APPROVED BY: | TECDIA PART NUMBER: | SHEET: |
| T. Kinoshita | L2SK00A101N10A6 | 1 of 1 |
| 2017/9/19 | | |