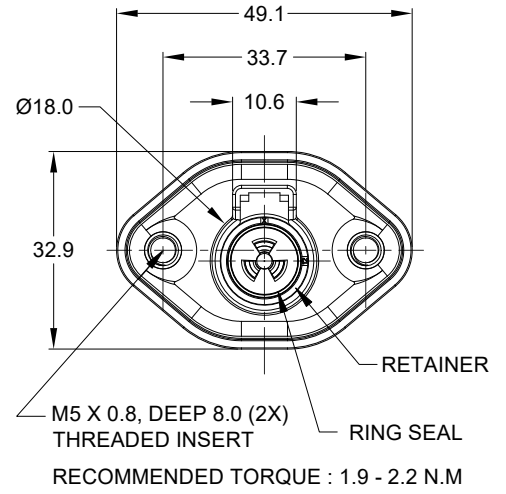
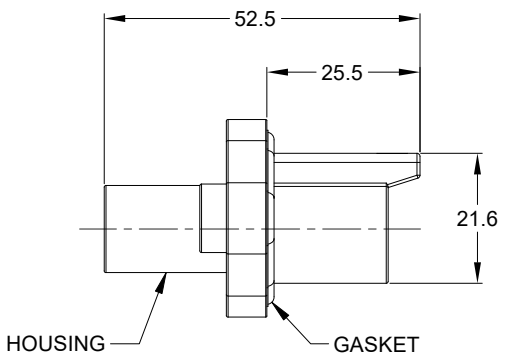
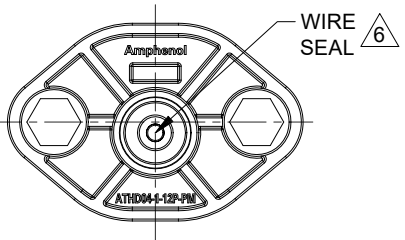
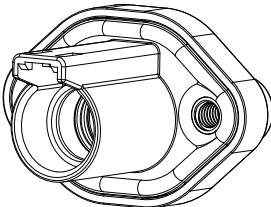
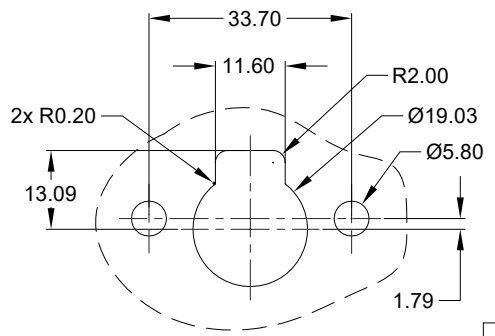


REVISIONS					
REV	ECO	DESCRIPTION	DATE	BY	APPR
A1	-	RELEASED DRAWING	10DEC21	VITO	TOMMY



NOTES: UNLESS OTHERWISE SPECIFIED

- MATERIAL:  
HOUSING, RETAINER: THERMOPLASTIC; COLOR: BLACK  
RING SEAL, WIRE SEAL, GASKET: SILICONE RUBBER; COLOR: RED
- MODIFICAIONS: FRONT FLANGE MOUNT;  
THREADED INSERT
- SPECIFICATIONS:
  - CURRENT RATING: 25 AMPS
  - OPERATING TEMPERATURE: -55°C TO +125°C
  - DIELECTRIC WITHSTANDING VOLTAGE: LESS THAN 2 MILLIAMPS CURRENT LEAKAGE @ 1500 VOLTS AC.
  - INSULATION RESISTANCE: 1000 MEGOHMS MIN @ 25°C.
  - MOISTURE RESISTANCE:  
IP68(1M OF WATER FOR A PERIOD OF 24 HOURS, MATED CONDITION);  
IP69K (MATED CONDITION)
  - MATING CYCLE DURABILITY: 100 CYCLES
  - RoHS COMPLIANT
- MATING PART: ATHD06-1-12S\* PLUG (\* = MODIFICATIONS)
- ALL DIMENSIONS ARE FOR REFERENCE USE ONLY.



RECOMMENDED PANEL CUTOUT

6. CONTACT SIZE AND REAR SEAL WIRE RANGE:

CONTACT SIZE	MIN. INSUL O.D.	MAX. INSUL O.D.	TYPICAL WIRE RANGE
12	3.40 mm (.134 in)	4.32 mm (.170 in)	10 - 14 AWG (5.0-2.0 mm <sup>2</sup> )

TITLE: 1 POS. RECEPTACLE, PIN, SIZE 12, ATHD SERIES, FLANGE MOUNT, THREADED INSERT  
DWG NO: ATHD04-1-12P-PM05  
REV: A1  
SH: 1  
OF: 1

ATHD04-1-12P-PM05		DESCRIPTION		ITEM
PART NUMBER				
MATERIALS LIST				
<b>UNLESS OTHERWISE SPECIFIED</b> 1) All dimensions are in metric (mm). 2) Tolerances are as follows: 1 PL DEC ±0.30 Fractions ±1/64 2 PL DEC ±0.15 3 PL DEC ±0.08 3) Note reference =		<b>SIGNATURES DATE</b> DRAWN: VITOLJ 10DEC21 CHECKED: SULLENZHANG 13DEC21 ENGINEER: APPROVAL: TOMMY XIE 14DEC21		
MATERIAL SPECIFICATIONS:		 Sine Systems - www.amphenol-sine.com 44724 Morley Drive Clinton Township, MI 48036		
PROCESS SPECIFICATIONS:		THIS DRAWING IS SUPPLIED FOR INFORMATION ONLY. DESIGN FEATURES, SPECIFICATIONS AND PERFORMANCE DATA SHOWN HEREON ARE THE PROPERTY OF THE AMPHENOL CORPORATION. NO RIGHTS OF REPRODUCTION ARE IMPLIED. ALL DIMENSIONS ARE SUBJECT TO NORMAL MANUFACTURING VARIATIONS.		
NEXT ASSY:		CUSTOMER: 1 POS, RECEPTACLE, PIN, SIZE 12, ATHD SERIES, FLANGE MOUNT, THREADED INSERT		
		SIZE	TYPE	DWG NO.
		B	C-	ATHD04-1-12P-PM05
		SCALE: NONE	SHEET 1 OF 1	