

MATERIALS AND FINISHES

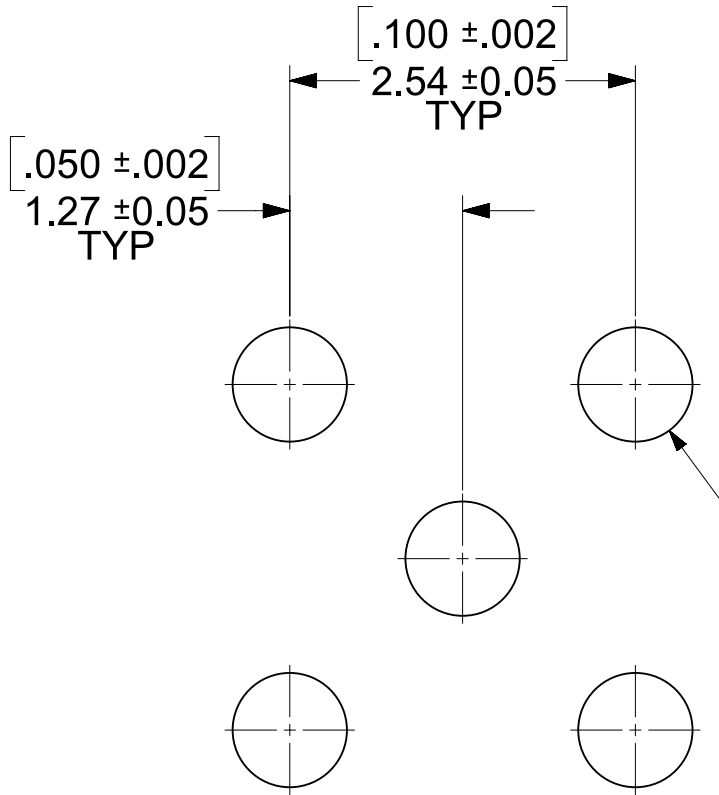
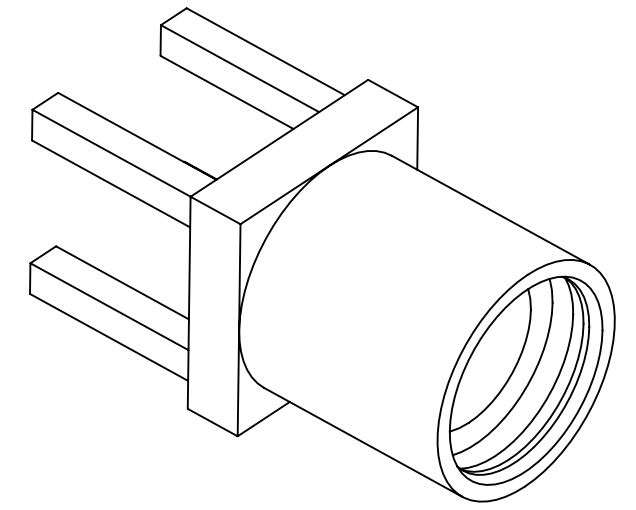
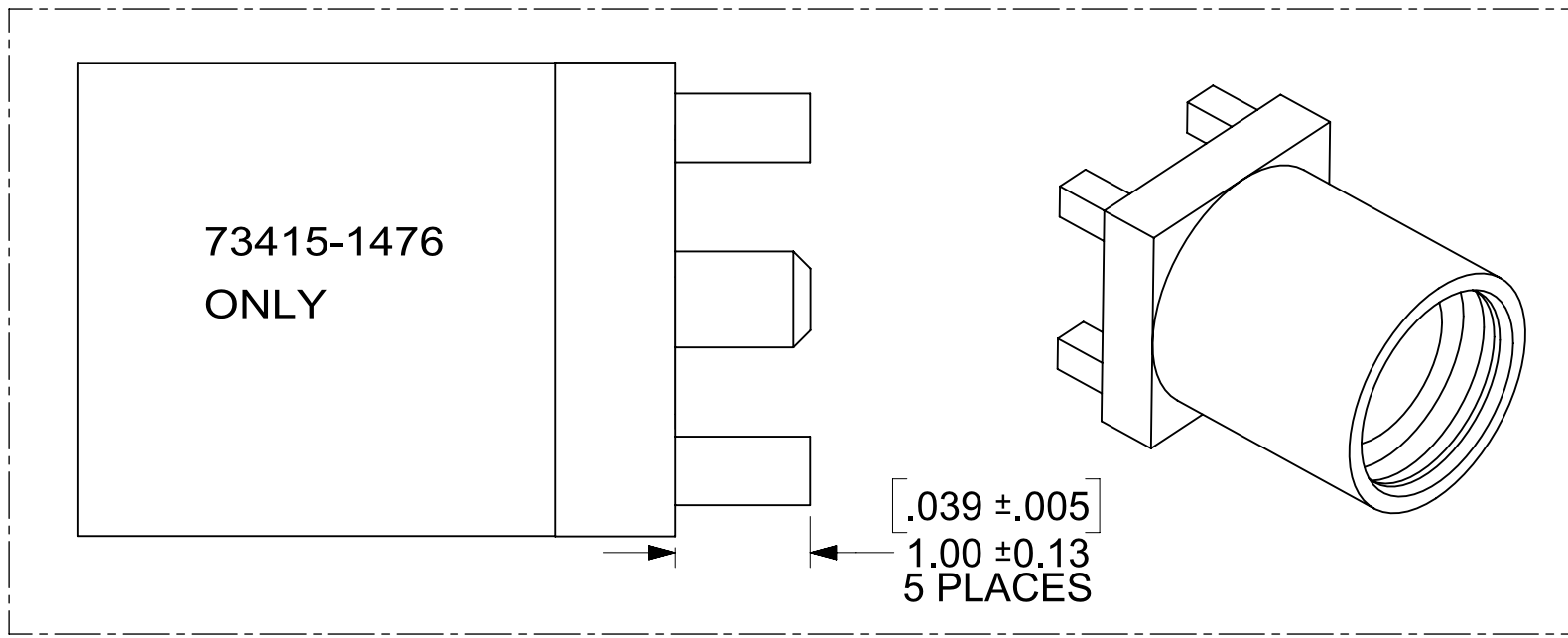
BODY SEE TABLE  
 PLATED SEE TABLE

CENTER CONTACT BERYLLIUM COPPER  
 PLATED SEE TABLE

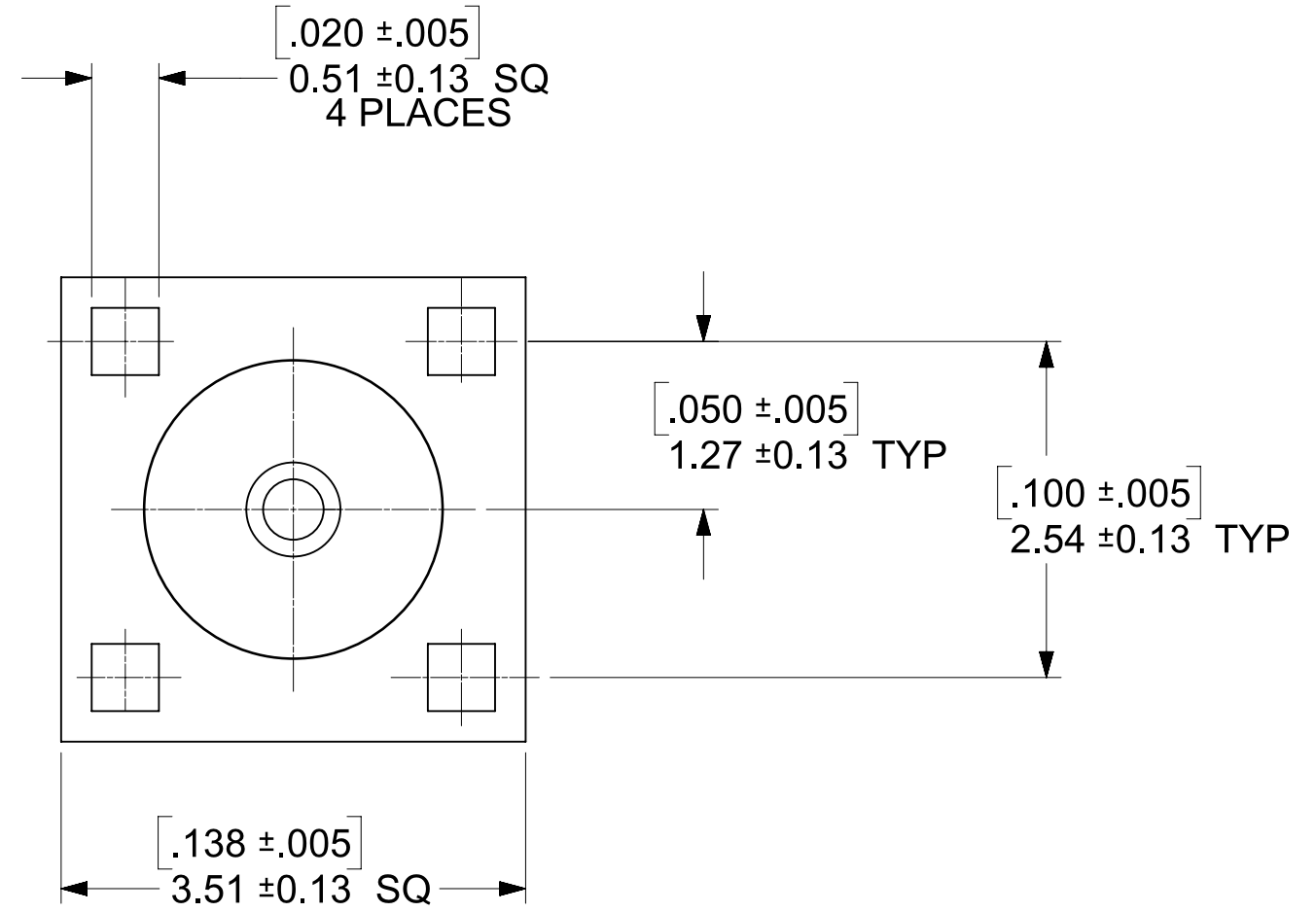
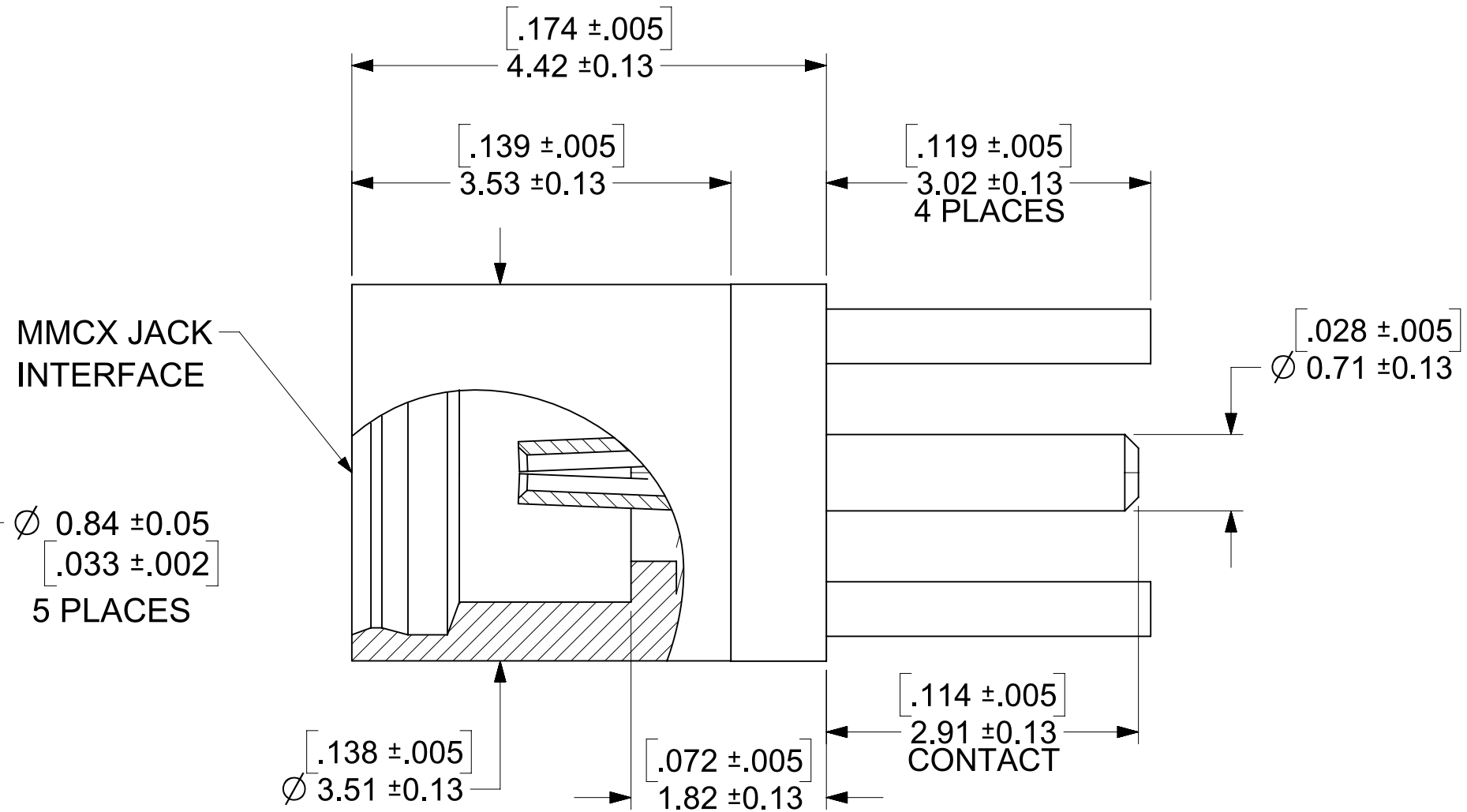
INSULATOR TEFLON

NOTE  
 PART # 73415-1473 IS

(NON-MAGNETIC)



SUGGESTED PCB LAYOUT

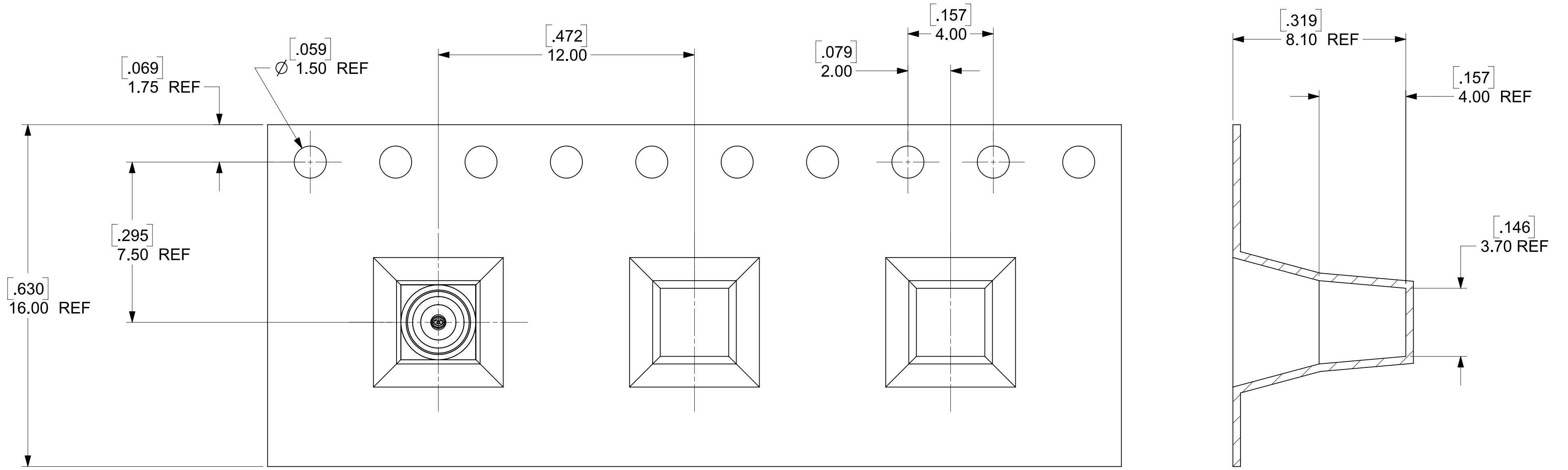


73414-0990	P/N 73415-1471 , TAPE AND REEL WITHOUT KAPTON TAPE ( SEE 89542-0450 DRAWING )	BRASS/GOLD 1u" (PER COMMERCIAL REQUIRMENT)	GOLD 30u"
73415-1477	TRAY	BRASS/GOLD 1u" (PER COMMERCIAL REQUIRMENT)	GOLD 1u"
73415-1476	TRAY (1.00 MM LEG LENGTHS)	BRASS/GOLD 1u" (PER COMMERCIAL REQUIRMENT)	GOLD 30u"
73415-1475	P/N 73415-1471 , TAPE AND REEL WITH KAPTON TAPE (SEE 89542-0440 DRAWING)	BRASS/GOLD 1u" (PER COMMERCIAL REQUIRMENT)	GOLD 30u"
73415-1474	TRAY	BRASS/GOLD 1u" (PER COMMERCIAL REQUIRMENT)	GOLD 30u"
73415-1473	BAG ( SEE 89542-0103 DRAWING)	BeCu/GOLD 10u" (NON MAGNETIC)	GOLD 30u"
73415-1472	P/N 73415-1471, ONE PER BAG	BRASS/GOLD 1u" (PER COMMERCIAL REQUIRMENT)	GOLD 30u"
73415-1471	BAG ( SEE 89542-0102 DRAWING)	BRASS/GOLD 1u" (PER COMMERCIAL REQUIRMENT)	GOLD 30u"
73415-1470	BAG ( SEE 89542-0102 DRAWING)	BRASS/ GOLD 30u" (PER MILITARY REQUIRMENT)	GOLD 50u"
PART NO.	PACKAGING	MATERIAL/PLATING (BODY)	PLATING (CENTER CONTACT)

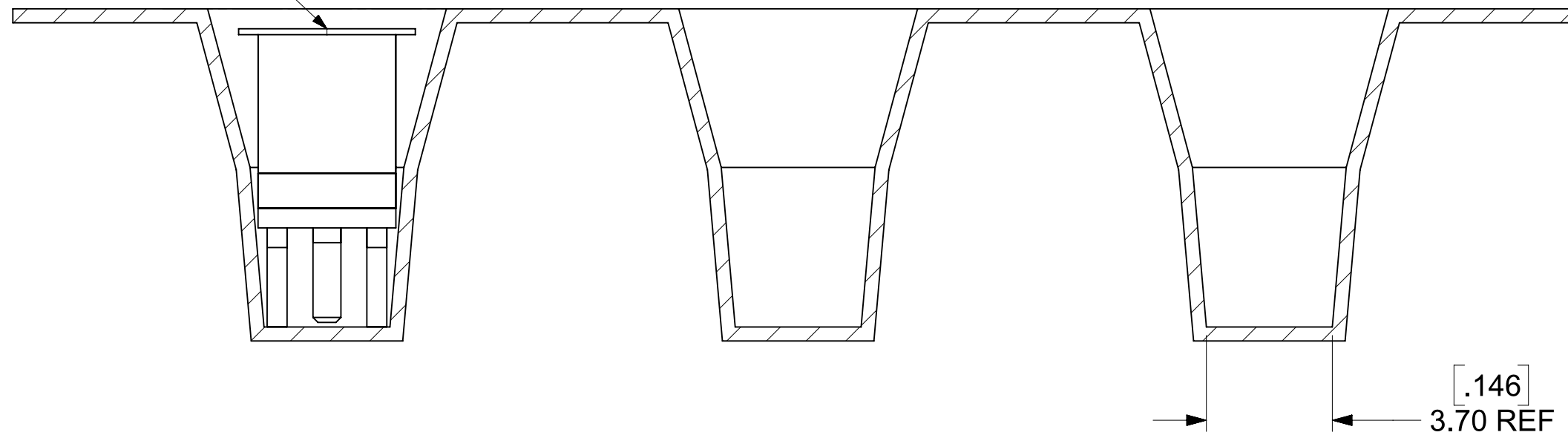
CECC 22 340	INTERFACE
PS-89675-1920	ELECTRO/MECH PER.
SPECIFICATION	DESCRIPTION

<b>SYMBOLS</b> ▽ = 0 ▽ = 0 ▽ = 0 ▽ = 0 ▽ = 0 ▽ = 0 ▽ = 0 ▽ = 0 ▽ = 0 ▽ = 0 ▽ = 0 ▽ = 0 ▽ = 0 ▽ = 0	THIS DRAWING CONTAINS INFORMATION THAT IS PROPRIETARY TO MOLEX ELECTRONIC TECHNOLOGIES, LLC AND SHOULD NOT BE USED WITHOUT WRITTEN PERMISSION DIMENSION UNITS: <b>MM/INCH</b> SCALE: <b>NTS</b> CURRENT REV DESC: EWR-14517-B ADDED 73414-0990 PART NO	
	GENERAL TOLERANCES (UNLESS SPECIFIED) ANGULAR TOL ± 2.0° 4 PLACES ± 3 PLACES ± 2 PLACES ± 1 PLACE ± 0 PLACES ± DRAFT WHERE APPLICABLE MUST REMAIN WITHIN DIMENSIONS	

NOTE  
DIMENSIONS ARE PROVIDED FOR REFERENCE ONLY



KAPTON



(FOR 73415-1475)

SYMBOLS										THIS DRAWING CONTAINS INFORMATION THAT IS PROPRIETARY TO MOLEX ELECTRONIC TECHNOLOGIES, LLC AND SHOULD NOT BE USED WITHOUT WRITTEN PERMISSION											
DIMENSION UNITS					SCALE					CURRENT REV DESC:											
MM/INCH					NTS					EWR-14517-B ADDED 73414-0990 PART NO											
GENERAL TOLERANCES (UNLESS SPECIFIED)										EC NO: 675460											
ANGULAR TOL ± 2.0°										DRWN: JSU18					2021/08/19						
▽ = 0					4 PLACES ±					CHK'D: YCHENG					2021/08/31						
▽ = 0					3 PLACES ±					APPR: YCHENG					2021/08/31						
▽ = 0					2 PLACES ±					INITIAL REVISION:											
▽ = 0					1 PLACE ±					DRWN: RFC_PLMIMP					2017/12/28						
▽ = 0					0 PLACES ±					APPR: JWIENER					2007/01/09						
■ = 0					DRAFT WHERE APPLICABLE MUST REMAIN WITHIN DIMENSIONS					THIRD ANGLE PROJECTION		DRAWING		SERIES		MATERIAL NUMBER		CUSTOMER		SHEET NUMBER	
▽ = 0										C-SIZE		73415		SD-73415-147		GENERAL MARKET		2 OF 3			

**molex**

MMCX JACK, PCB MOUNT  
50 OHMS MMCX-J/PCB

PRODUCT CUSTOMER DRAWING

DOCUMENT NUMBER DOC TYPE DOC PART REVISION

SD-73415-147 PSD 001 C5

MATERIAL NUMBER CUSTOMER SHEET NUMBER

GENERAL MARKET 2 OF 3

DOCUMENT STATUS P1 RELEASE DATE 2021/08/31 04:55:36

13" REEL SIZE

12.993 ±.020  
 Ø 330.02 ±0.51

.647  
 16.43 MIN

.502  
 Ø 12.75 REF

250 MM EMPTY MIN


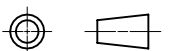
250 MM EMPTY MIN

ORDER QUANTITY PACKED

230.00 MIN

LABEL

- ORDER NO.
- QUANTITY
- PART NO.
- LOT NO.

SYMBOLS	THIS DRAWING CONTAINS INFORMATION THAT IS PROPRIETARY TO MOLEX ELECTRONIC TECHNOLOGIES, LLC AND SHOULD NOT BE USED WITHOUT WRITTEN PERMISSION										
	DIMENSION UNITS	SCALE	CURRENT REV DESC:								
▽ = 0	MM/INCH	NTS	EWR-14517-B ADDED 73414-0990 PART NO								
▽ = 0	GENERAL TOLERANCES (UNLESS SPECIFIED)		EC NO: 675460							PRODUCT CUSTOMER DRAWING	
▽ = 0	ANGULAR TOL ± 2.0°		DRWN: JSU18				2021/08/19		DOCUMENT NUMBER <b>SD-73415-147</b>		
▽ = 0	4 PLACES ±		CHK'D: YCHENG				2021/08/31				DOC TYPE
▽ = 0	3 PLACES ±		APPR: YCHENG				2021/08/31		PSD	001	C5
▽ = 0	2 PLACES ±		INITIAL REVISION:							MATERIAL NUMBER CUSTOMER GENERAL MARKET	
▽ = 0	1 PLACE ±		DRWN: RFC_PLMIMP				2017/12/28		SHEET NUMBER 3 OF 3		
▽ = 0	0 PLACES ±		APPR: JWIENER				2007/01/09				SERIES <b>73415</b>
▽ = 0	DRAFT WHERE APPLICABLE MUST REMAIN WITHIN DIMENSIONS		THIRD ANGLE PROJECTION		DRAWING		C-SIZE		73415		
▽ = 0											

DOCUMENT STATUS	P1	RELEASE DATE	2021/08/31	04:55:36
-----------------	----	--------------	------------	----------