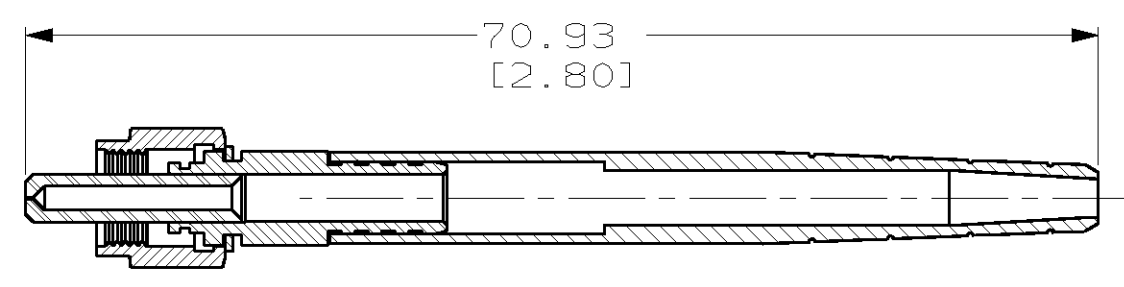
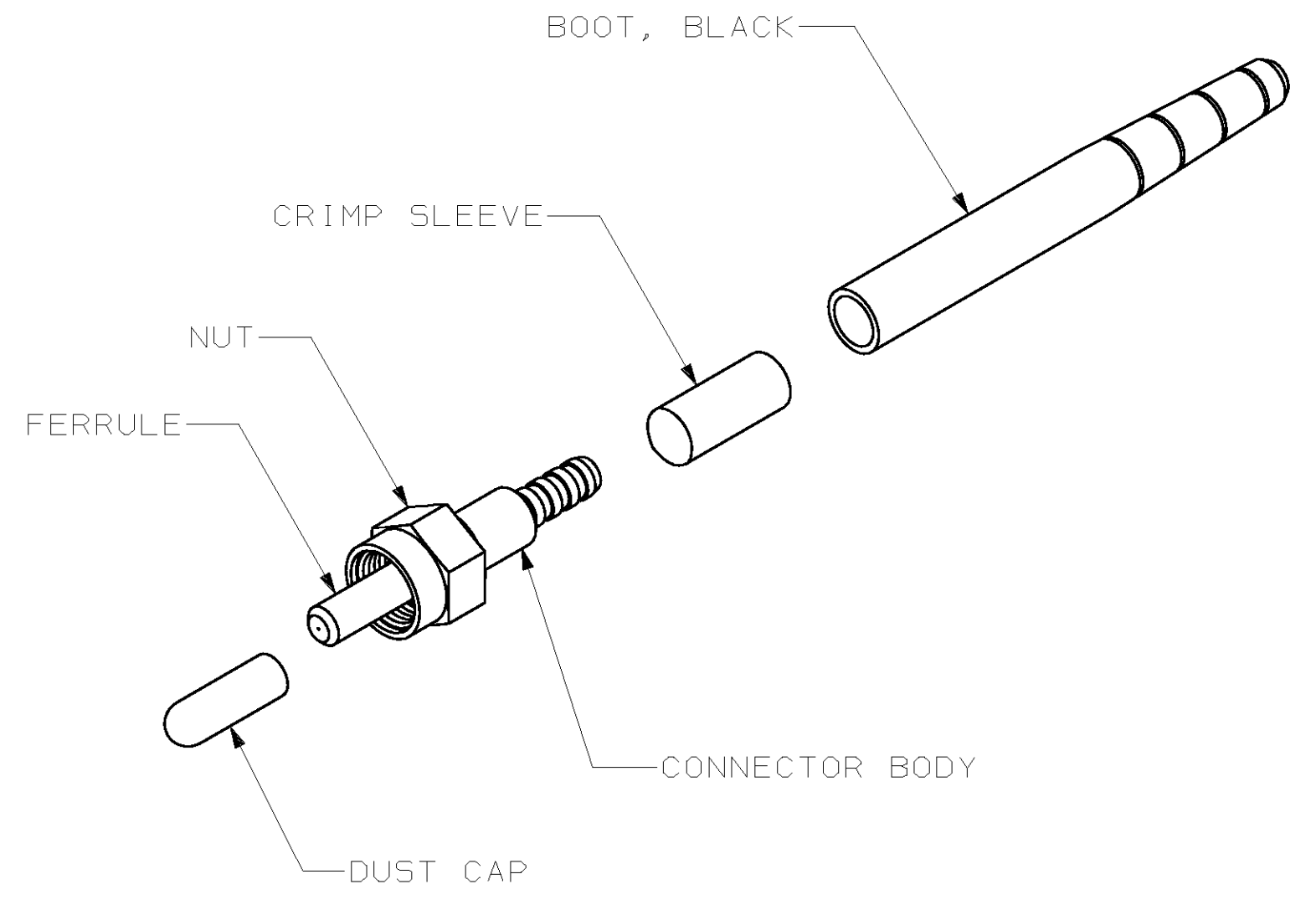


THIS DRAWING IS UNPUBLISHED. RELEASED FOR PUBLICATION  
 (C) COPYRIGHT 19 BY AMP INCORPORATED. ALL RIGHTS RESERVED.

LOC	DIST	REVISIONS					
		P	LTR	DESCRIPTION	DATE	DWN	APVD
CE	16	J		REVISE PER 0A00-0669-02	15AUG02	KG	5B



- 1 MATERIAL:
- a) FERRULE-STAINLESS STEEL
  - b) CONNECTOR BODY-COPPER ALLOY
  - c) NUT-COPPER ALLOY
  - d) CRIMP SLEEVE-COPPER ALLOY
  - e) BOOT-GEON VINYL, COLOR:BLACK
  - f) DUST CAP-VINYL, COLOR:RED

- 2 FINISH:
- a) CONNECTOR BODY-NICKEL PLATE
  - b) NUT-NICKEL PLATE
  - c) CRIMP SLEEVE-NICKEL PLATE

3 BULK PACKAGED 50 PER UNIT

4 PACKAGE MARKED WITH "EB R1860"

	DESCRIPTION	FIBER HOLE SIZE	PART NUMBER
	STANDARD CONNECTOR KIT	720um	3-504567-9
	STANDARD CONNECTOR KIT	490um	3-504567-8
	STANDARD CONNECTOR KIT	250um	3-504567-7
OBSOLETE	NO CRIMP SLEEVE	600um	3-504567-6
OBSOLETE	NO CRIMP SLEEVE	600um	3-504567-5
OBSOLETE	NO CRIMP SLEEVE-NO BOOT	231um	3-504567-4
	STANDARD CONNECTOR KIT	.082in	3-504567-3
	STANDARD CONNECTOR KIT	.065in	3-504567-2
OBSOLETE	STANDARD CONNECTOR KIT	.047in	3-504567-1
OBSOLETE	STANDARD CONNECTOR KIT	.046in	3-504567-0
	STANDARD CONNECTOR KIT	.042in	2-504567-9
OBSOLETE	STANDARD CONNECTOR KIT	.039in	2-504567-8
OBSOLETE	STANDARD CONNECTOR KIT	860um	2-504567-7
OBSOLETE	STANDARD CONNECTOR KIT	641um	2-504567-6
	STANDARD CONNECTOR KIT	640um	2-504567-5
OBSOLETE	STANDARD CONNECTOR KIT	600um	2-504567-4
OBSOLETE	STANDARD CONNECTOR KIT	500um	2-504567-3
OBSOLETE	STANDARD CONNECTOR KIT	470um	2-504567-2
OBSOLETE	STANDARD CONNECTOR KIT	460um	2-504567-1
OBSOLETE	STANDARD CONNECTOR KIT	450um	2-504567-0
OBSOLETE	STANDARD CONNECTOR KIT	436um	1-504567-9
OBSOLETE	STANDARD CONNECTOR KIT	410um	1-504567-8
OBSOLETE	STANDARD CONNECTOR KIT	400um	1-504567-7
OBSOLETE	STANDARD CONNECTOR KIT	350um	1-504567-6
OBSOLETE	STANDARD CONNECTOR KIT	340um	1-504567-5
OBSOLETE	STANDARD CONNECTOR KIT	336um	1-504567-4
OBSOLETE	STANDARD CONNECTOR KIT	320um	1-504567-3
OBSOLETE	STANDARD CONNECTOR KIT	280um	1-504567-2
OBSOLETE	STANDARD CONNECTOR KIT	270um	1-504567-1
OBSOLETE	STANDARD CONNECTOR KIT	267um	1-504567-0
OBSOLETE	STANDARD CONNECTOR KIT	250um	504567-9
OBSOLETE	STANDARD CONNECTOR KIT	240um	504567-8
OBSOLETE	STANDARD CONNECTOR KIT	231um	504567-7
OBSOLETE	STANDARD CONNECTOR KIT	229um	504567-6
OBSOLETE	STANDARD CONNECTOR KIT	200um	504567-5
OBSOLETE	STANDARD CONNECTOR KIT	170um	504567-4
OBSOLETE	STANDARD CONNECTOR KIT	145um	504567-3
	STANDARD CONNECTOR KIT	140um	504567-2
	STANDARD CONNECTOR KIT	125um	504567-1

THIS DRAWING IS A CONTROLLED DOCUMENT.		DWN P. YEAGER 1-18-93	AMP Incorporated Harrisburg, PA 17105-3608
DIMENSIONS: mm [INCHES]		CHK R. HILEMAN 1-27-93	
TOLERANCES UNLESS OTHERWISE SPECIFIED:		APVD S. BUCHTER 1-27-93	
0 PLC ± 1 PLC ± 2 PLC ± 3 PLC ± 4 PLC ± ANGLES ±		NAME	
MATERIAL 1	FINISH 2	PRODUCT SPEC -	CONNECTOR KIT, SMA 905 STAINLESS FRONT BODY, BRASS REAR BODY, 4.3mm CABLE
CUSTOMER DRAWING		APPLIC. SPEC -	SIZE A2 CAGE CODE 00779 DRAWING NO C-504567
		WEIGHT -	RESTRICTED TO -
		SCALE 2:1	SHEET 1 OF 1 REV J