



FEATURES

Magnetic connector
Self-mating & self-alignment
Food grade materials
Prevents wire & cable damage
Easy cleaning
5000 mating cycles
IP67 (mated)
Gold plated Pogo pins (spring loaded)

SPECIFICATIONS

Electrical

Voltage	48VDC max
Amperage	1.5A
Pins	18 AWG wire maximum

MECHANICAL

Material	Food grade Teflon (white)
Shell	316 stainless steel
Pins	Gold plated (x6)
Weight	70g (2.5 oz)
Retention force	10 pounds
Connector type	Self-mating
Cable size	2.8 - 8.0mm (1/8" - 1/4")

ENVIRONMENT

Rating	IP67 / NEMA 6 (mated)
Operating temperature	-40°C to 150°C (-40°F to 302°F)
Dust & waterproof	

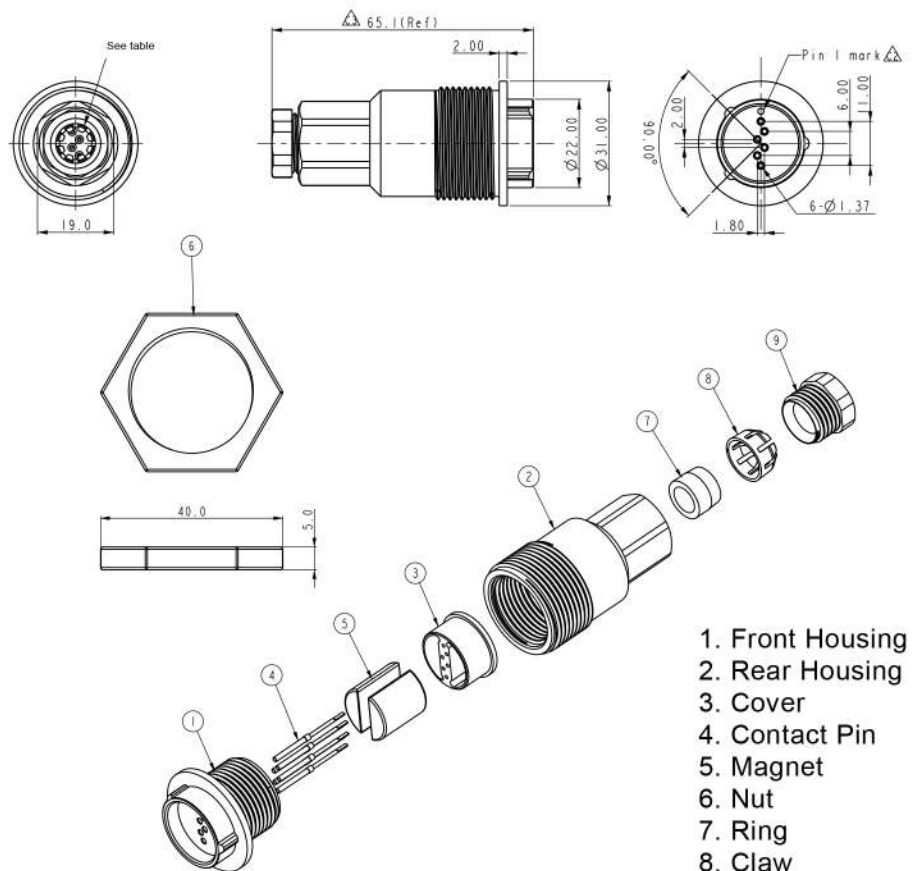
TYPICAL APPLICATIONS

Temperature probes, measuring instruments, auto manufacturing, food & pharma, manufacturing equipment, Ethernet communications, drones and more

FEMALE PANEL MOUNT CONNECTOR



MP6-PM-F-RTD2 Panel mount connector – female, 6 sockets



1. Front Housing
2. Rear Housing
3. Cover
4. Contact Pin
5. Magnet
6. Nut
7. Ring
8. Claw
9. Nut



Female connector Panel Mount Male connector

ORDERING INFORMATION

Part number	Description
MP6-PM-F-RTD2	Panel mount connector – female, 6 sockets