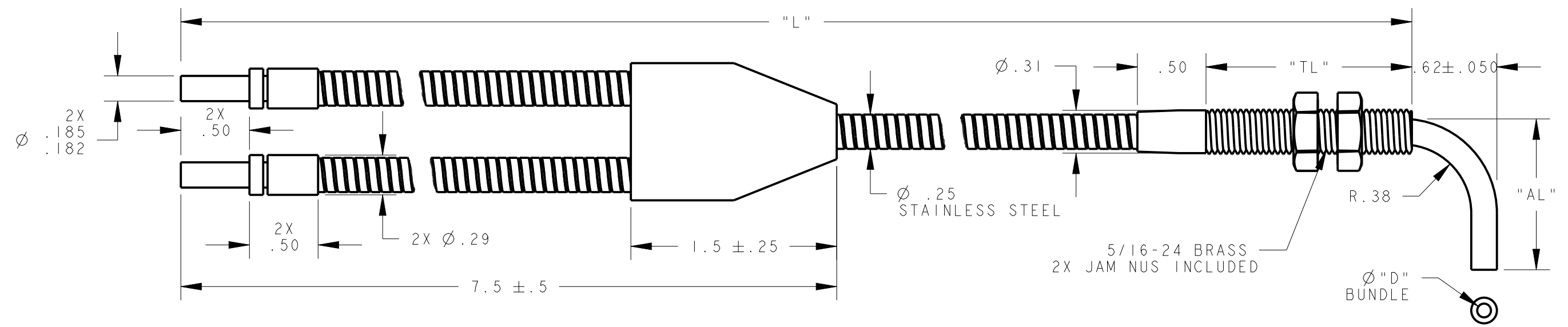


MODEL NO.	"TL"	"AL"	"L"	"D"	P/N
BTA29S	1.5	1.1	108	.125	21470
BTA24S	1.5	1.1	48	.125	21326
BTA23SM600	1.5	1.1	36	.125	20388
BTA23SM.62	1.5	.62	36	.125	20052
BTA13S	1.5	1.1	36	.062	20195
BTA21.5S	1.5	1.1	18	.125	20163
BTA210S	1.5	1.1	120	.125	20290
BTA211S	1.5	1.1	132	.125	20291
BTA215S	1.5	1.1	180	.125	20341
BTA21S	1.5	1.1	12	.125	20806
BTA26S	1.5	1.1	72	.125	20377
BTA23S	1.5	1.1	36	.125	20008

NOTES:
 1. 'M600' SUFFIX INDICATES FIBERS POTTED ON ANGLED END WITH EPOXY THAT OPERATES IN MAX. TEMPERATURE OF 600°F.

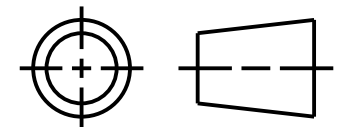


NOTES:
 1. ALL DIMENSIONS ARE MILLIMETERS [INCHES] UNLESS OTHERWISE NOTED.
 2. REFER TO "www.bannerengineering.com" FOR ADDITIONAL DATA AND SPECIFICATIONS.

This drawing is the property of BANNER ENGINEERING CORP. Any use or reproduction, in any form, without prior written permission of Banner is prohibited. © 2015 Banner Engineering Corp.

BANNER BANNER ENGINEERING CORP.
 www.bannerengineering.com

THIRD ANGLE PROJECTION



TITLE
BTA2 SERIES SS TERMINATED

SIZE B DRAWING NO. **161912** REV. **A**
 SCALE 5:4 SHEET 1 OF 2

CREO

8	7	6	5	4	3	2	1
MODEL NO.	"TL"	"AL"	"L"	"D"	P/N		
BTA13SM2.4	1.5	2.4	36	.062	23169		
BTA12SM2.4	1.5	2.4	24	.062	00000		
BTA.53S	1.5	1.1	36	.032	23240		
BTA25SM600	1.5	1.1	60	.125	00000		
BTA.53SM.62	1.5	.62	36	.032	23259		
BTA12S	1.5	1.1	24	.062	23330		
BTA.753S	1.5	1.1	36	.046	23562		
BTA12.8S	1.5	1.1	33	.062	00000		
BTA12.83S	1.5	1.1	34	.062	23777		
BTA12.7S	1.5	1.1	32	.062	23778		
BTA12.33S	1.5	1.1	28	.062	23779		
BTA23SI.9	1.5	1.88	36	.125	23825		
BTA13SMT.87M.62	.87	.62	36	.062	23839		
BTA23SM.8	1.5	.8	36	.125	00000		
BTA214SM.8	1.5	.8	168	.125	00000		
BTA14S	1.5	1.1	48	.062	23883		
BTA15S	1.5	1.1	60	.062	00000		
BTA115S	1.5	1.1	180	.062	00000		
BTA112S	1.5	1.1	144	.062	00000		
BTA26SM600	1.5	1.1	72	.125	24273		
BTA26SM.8	1.5	.8	72	.125	00000		
BTA214S	1.5	1.1	168	.125	24465		
BTA11S	1.5	1.1	12	.062	24475		
BTA227S	1.5	1.1	324	.125	00000		
BTA18S	1.5	1.1	96	.062	24597		
BTA23SMAL1.5	1.5	1.5	36	.125	24914		
BTA26SMAL1.5	1.5	1.5	72	.125	00000		
BTA11.5S	1.5	1.1	18	.062	00000		
BTA1.5I.5S	1.5	1.1	18	.090	00000		

8	7	6	5	4	3	2	1
MODEL NO.	"TL"	"AL"	"L"	"D"	P/N		
BTA22S	1.5	1.1	24	.125	21895		
BTA225S	1.5	1.1	300	.125	21879		
BTA110S	1.5	1.1	120	.062	21710		
BTA16S	1.5	1.1	72	.062	21705		
BTA25S	1.5	1.1	60	.125	21473		
BTA27S	1.5	1.1	84	.125	21472		
BTA28S	1.5	1.1	96	.125	21471		
BTA26SM.62	1.5	.62	72	.125	22967		
BTA1.54S	1.5	1.1	48	.090	23060		
BTA13S2.2	1.5	2.2	36	.062	00000		
BTA230S	1.5	1.1	360	.125	82493		
BTA1.52S	1.5	1.1	24	.090	00000		
BTA13SM600	1.5	1.1	36	.062	22932		
BTA25.5S	1.5	1.1	66	.125	22643		
BTA225SM600	1.5	1.1	300	.125	21991		

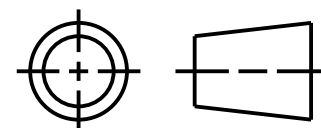
NOTES:
1. ALL DIMENSIONS ARE MILLIMETERS [INCHES] UNLESS OTHERWISE NOTED.
2. REFER TO "www.bannerengineering.com" FOR ADDITIONAL DATA AND SPECIFICATIONS.


NOTES:

- 'M600' SUFFIX INDICATES FIBERS POTTED ON ANGLED END WITH EPOXY THAT OPERATES IN MAX. TEMPERATURE OF 600°F.

This drawing is the property of BANNER ENGINEERING CORP. Any use or reproduction, in any form, without prior written permission of Banner is prohibited.
© 2015 Banner Engineering Corp.

THIRD ANGLE PROJECTION



 BANNER ENGINEERING CORP. www.bannerengineering.com	
TITLE	
BTA2 SERIES SS TERMINATED	
SIZE B	DRAWING NO. 161912
SCALE 3:2	REV. A
SHEET 2 OF 2	