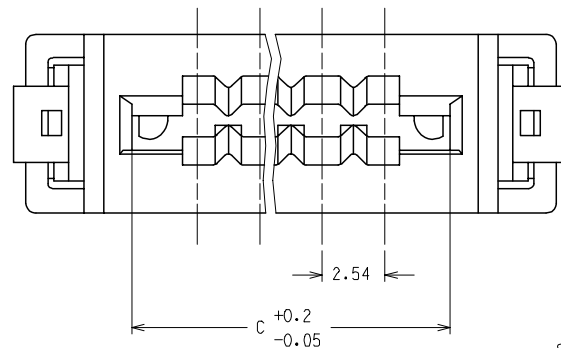
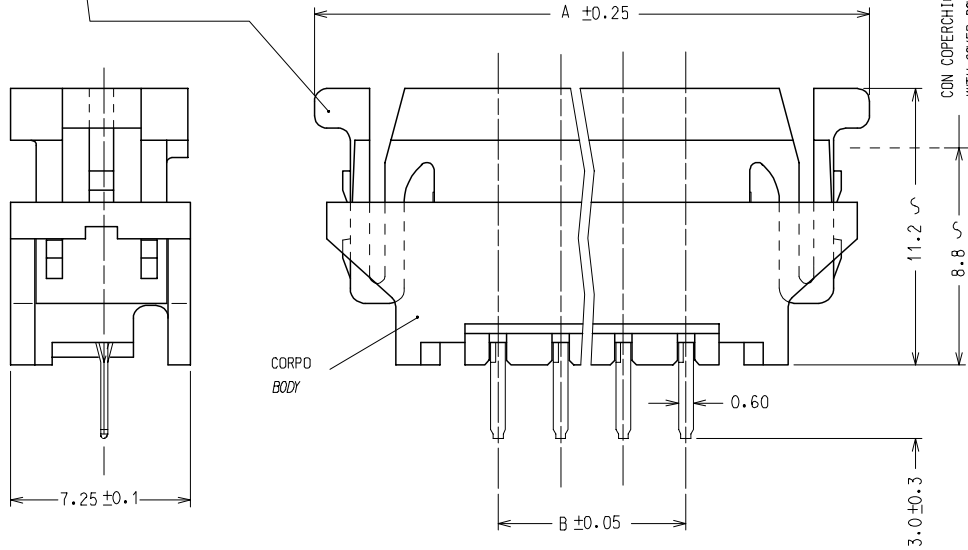


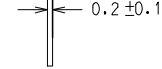
10 9 8 7 6 5 4 3 2 1

COPERCHIO
COVER

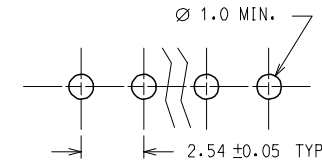
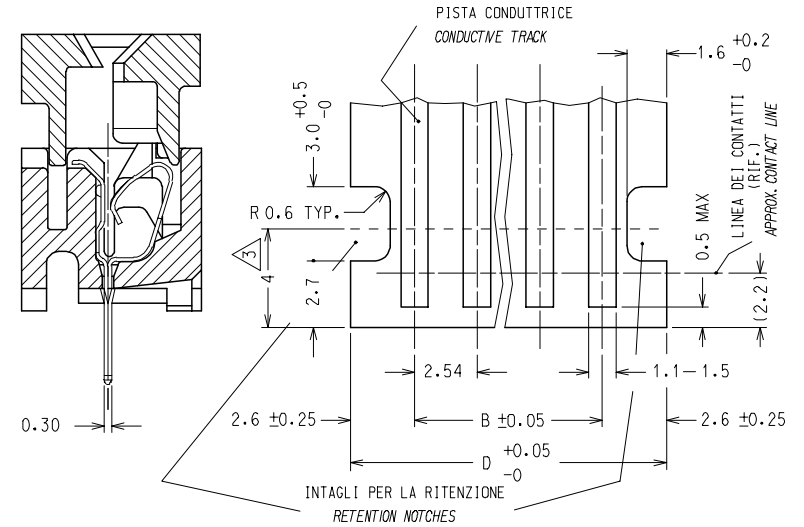
COPERCHIO ALZATO: I CONTATTI SONO APERTI PER UN AGEVOLE INSERIMENTO DEL CIRCUITO FLESSIBILE
COVER UP: CONTACTS ARE OPEN FOR AN EASY INSERTION OF THE FLEX CIRCUITRY
COPERCHIO ABBASSATO: I CONTATTI SONO PREMUTI CONTRO LE PISTE
COVER DOWN: CONTACTS ARE CLOSED ON THE TRACKS



CIRCUITO FLESSIBILE (SPESSORE TYPICO)
FLEX CIRCUITRY (TYPICAL THICKNESS)



PREPARAZIONE DEL CIRCUITO FLESSIBILE (ZONA DI CONNESSIONE)
FLAT FLEX CIRCUITRY PREPARATION (MATING TAIL)



CONFIGURAZIONE RACCOMANDATA SUL C. S.
RECOMMENDED P. C. BOARD HOLE DIMENSION

MATERIALI: CORPO E COPERCHIO: PBT NERO CARICATO F. V., UL 94 V0
CONTATTI: BRONZO FOSFOROSO DI SPESSORE 0.15 mm
PRESTAGNATO SALDABILE

MATERIALS: BODY AND COVER: BLACK G. F. PBT, UL 94 V0
CONTACTS: PHOSPHOR BRONZE SOLDERABLE TIN PREPLATED STRIP, 0.15 mm THICK

STD. DESCR.: FFC CONN VERT (insert contact number) CKT

NOTE: 1) IL PRODOTTO VIENE FORNITO IN TUBI (VEDI FOGLIO 2/2)
2) CARATTERISTICHE TECNICHE E FUNZIONALI COME DA PS 90500.
3) LUNGHEZZA MINIMA DI ESPOSIZIONE DELLE PISTE
4) SPQ: VEDERE FOGLIO 2/2

NOTE: 1) PRODUCT WILL BE SUPPLIED PACKAGED IN A TUBE (SEE SHEET 2/2)
2) TECHNICAL CHARACTERISTICS AS INDICATED IN PS90500.
3) MINIMUM EXPOSED LENGTH OF TRACKS
4) SPQ: SEE SHEET 2/2

EC NO: Z2005-0177	QUALITY SYMBOLS
DRWN: SBARBIERI 2005/05/19	▽=0
CHKD: RSANDANO 2005/05/20	∇=0
APPR: FBI SELLO 2005/05/20	
REV	
B1	

GENERAL TOLERANCES (UNLESS SPECIFIED)	
	mm INCH
4 PLACES	± --- ± ---
3 PLACES	± --- ± ---
2 PLACES	± 0.05 ± ---
1 PLACE	± 0.10 ± ---
ANGULAR ± ---°	
DRAFT WHERE APPLICABLE MUST REMAIN WITHIN DIMENSIONS	

DIMENSION STYLE	
MM ONLY	
DRAWN BY	DATE
SBARBIERI	2000/04/13
CHECKED BY	DATE
MTESTAGUZZA	2000/04/13
APPROVED BY	DATE
RMARTUCCI	2000/04/13
MATERIAL NO.	
SEE SHT 2/2	

SCALE	DESIGN UNITS	FIRST ANGLE PROJECTION	
5:1	METRIC		
TITLE			
FFC CONNECTOR VERTICAL MOUNTING VERSION			
MOLEX INCORPORATED		DOCUMENT NO.	SHEET NO.
		SD-90500-001	1 OF 2
THIS DRAWING CONTAINS INFORMATION THAT IS PROPRIETARY TO MOLEX INCORPORATED AND SHOULD NOT BE USED WITHOUT WRITTEN PERMISSION			

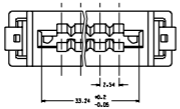
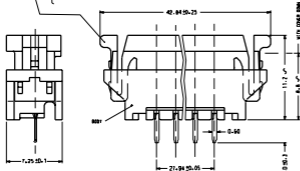
9 8 7 6 5 4 3 2 1

N° . DI CODICE PART. NO.	ATTREZZAGGIO TOOLING	N° . VIE CCT NO.	DIM "A"	DIM "B"	DIM "C"	DIM "D"	N° . CONN./TUBO CONN. NO./TUBE	N° . CONN./SCATOLA CONN. NO./BOX (SPQ)
90500-3002	NON ATTREZZATO NOT TOOLED	2						
90500-3003	"	3						
90500-3004	ATTREZZATO TOOLED	4	22.52	7.62	12.92	12.82	24	4320
90500-3005	"	5	25.06	10.16	15.46	15.36	21	3780
90500-3006	"	6	27.60	12.70	18.00	17.90	19	3420
90500-3007	"	7	30.14	15.24	20.54	20.44	17	3060
90500-3008	"	8	32.68	17.78	23.08	22.98	16	2880
90500-3009	"	9	35.22	20.32	25.62	25.52	15	2700
90500-3010	"	10	37.76	22.86	28.16	28.06	14	2520
90500-3011	"	11	40.30	25.40	30.70	30.60	13	2340
90500-3012	"	12	42.84	27.94	33.24	33.14	12	2160
90500-3013	"	13	45.38	30.48	35.78	35.68	11	1980
90500-3014	"	14	47.92	33.02	38.32	38.22	11	1980
90500-3015	"	15	50.46	35.56	40.86	40.76	10	1800
90500-3016	"	16	53.00	38.10	43.40	43.30	10	1800
90500-3017	"	17	55.54	40.64	45.94	45.84	9	1620
90500-3018	"	18	58.08	43.18	48.48	48.38	9	1620
90500-3019	"	19	60.62	45.72	51.02	50.92	8	1440
90500-3020	"	20	63.16	48.26	53.56	53.46	8	1440

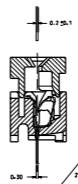
EC NO: Z2005-0177 DRWN:SBARBIER 2005/05/19 CHKD:RSANDANO 2005/05/20 APPR:FBISELLO 2005/05/20 REV DESCRIPTION	QUALITY SYMBOLS	GENERAL TOLERANCES (UNLESS SPECIFIED)	DIMENSION STYLE	SCALE	DESIGN UNITS	FIRST ANGLE PROJECTION	
	▽=0 ▽=0	mm INCH 4 PLACES ± --- ± --- 3 PLACES ± --- ± --- 2 PLACES ± 0.05 ± --- 1 PLACE ± 0.10 ± --- ANGULAR ± ---°	MM ONLY	---	METRIC	DRAWN BY DATE SBARBIER 2000/04/15 CHECKED BY DATE RSANDANO 2000/04/15 APPROVED BY DATE FBISELLO 2000/04/15 MATERIAL NO.	TITLE FFC CONNECTOR VERTICAL MOUNTING VERSION MOLEX INCORPORATED DOCUMENT NO. SHEET NO. SD-90500-001 2 OF 2
		DRAFT WHERE APPLICABLE MUST REMAIN WITHIN DIMENSIONS	SEE TABLE				
	B1			SIZE A3	THIS DRAWING CONTAINS INFORMATION THAT IS PROPRIETARY TO MOLEX INCORPORATED AND SHOULD NOT BE USED WITHOUT WRITTEN PERMISSION		

COVER

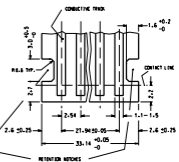
COVER UP: CONTACTS ARE OPEN FOR AN EASY INSERTION OF THE FLEX CIRCUITRY
 COVER DOWN: CONTACTS ARE CLOSED BY THE TRACKS



FLEX CIRCUITRY (TYPICAL THICKNESS)



FLAT FLEX CIRCUITRY PREPARATION (ON THE TAIL)



RECOMMENDED P-C HOLE DIMENSION:



MARKING:
 BODY AND COVER: BLACK G.F. PBT, UL 94 V0
 CONTACTS: PHOSPHOR BRONZE SOLDERABLE TIN REPLATED STRIP, 0.15 mm THICK

- NOTES:
 1) PRODUCT WILL BE SUPPLIED PACKAGED IN TUBES (7500 PCS/BOX - SPA)
 2) TECHNICAL CHARACTERISTICS AS INDICATED IN PS-9050-011.

STD DESIG-1 FCC COM NEXT 12 OUT

REV	QUALITY SYMBOLS	GENERAL TOLERANCES UNLESS SPECIFIED	SCALE	DESIGN UNITS	FIRST ANGLE PROJECTION	DIMENSIONS:			SHEET NO.
						FR	INCH	MM	
A	EC NO. 2782-001 Rev. 1, 20-11-07 CHN M. Last Update: 20-11-07 APPROV. MR. NESTI, 20-11-07	DIMENSIONS: FR: 0.05 INCH: 0.05 MM: 0.1	5:1	mm	<input type="checkbox"/> FRST ANGLE PROJECTION <input type="checkbox"/> 1ST ANGLE <input type="checkbox"/> 2ND ANGLE <input type="checkbox"/> 3RD ANGLE	FR: 0.05 INCH: 0.05 MM: 0.1	FR: 0.05 INCH: 0.05 MM: 0.1	FR: 0.05 INCH: 0.05 MM: 0.1	SHEET NO. 1/1 SIZE A 3
DESIGNER: S. BERDIERI 20-11-07 CHECKED BY: M. TROTTIGUZZO 20-11-07 APPROVED BY: M. NESTI 20-11-07 CAD FILENAME:		TITLE: CONNECTOR FOR FLAT FLEXIBLE CIRCUITS 12 OCT. 2.54 1,1001 FOOT PRINT - VERTICAL MOUNTING VERSION -		MATERIAL NO. 90500-3012 DRAWING NO. 50-90500-003		MOLEX INCORPORATED			
DRAWING WHERE APPLICABLE MUST REMAIN WITHIN DIMENSIONS			THIS DRAWING CONTAINS INFORMATION THAT IS PROPRIETARY TO MOLEX INCORPORATED AND SHOULD NOT BE USED WITHOUT WRITTEN PERMISSION.						