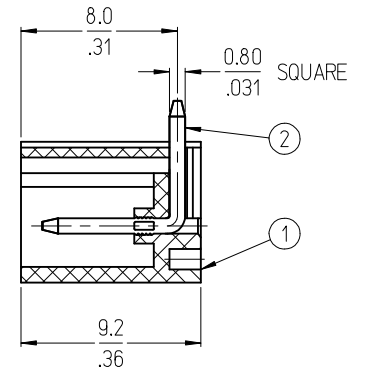
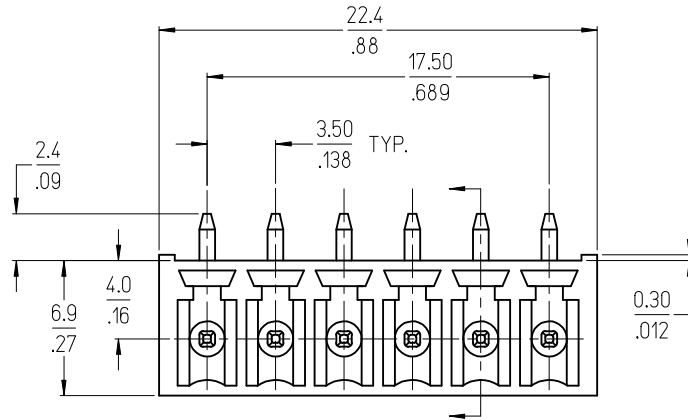


RECOMMENDED PCB LAYOUT
(SCALE 3:1)



NOTES:

1. MATERIAL:
 - (1) HOUSING: PA46, BLACK
 - (2) TERMINAL: BRASS, PLATED 79µN MIN. NICKEL OVERALL WITH 30 µN MIN. GOLD IN CONTACT AREA, 118µN MIN. MATTE TIN IN SOLDER AREA.
2. ELECTRICAL RATING: 300V, 8A.
3. OPERATING TEMPERATURE: -40°C TO +140°C.
4. PACKAGING: PARTS ARE PACKAGED ON TAPE AND REEL. SEE PK-39509-001 FOR DETAILS.
5. MATES WITH: 395000506
6. ASSEMBLY IS ROHS COMPLIANT.

| TOLERANCES | | | |
|------------|-------|-----------|-------|
| MM | TOL | INCH | TOL |
| 0-6 | ±0.25 | 0-.24 | ±.010 |
| >6-30 | ±0.40 | .24-1.18 | ±.016 |
| >30-120 | ±0.50 | 1.18-4.76 | ±.020 |
| >120 | ±0.80 | >4.76 | ±.031 |

| | | | | | | |
|---|-----------------|---|--|---------------------------|--|----------------------------|
| REVISED DOC TOL EC NO: IFC2017-0881 DRN: ANAGATH 2017/03/23 CHKD: APPR: BRUPERT 2017/04/18 REV: A1 | QUALITY SYMBOLS | GENERAL TOLERANCES (UNLESS SPECIFIED) | DIMENSION STYLE | SCALE | DESIGN UNITS | THIRD ANGLE PROJECTION |
| | ▼=0 ▽=0 | mm INCH 4 PLACES ±--- ±--- 3 PLACES ±--- ±--- 2 PLACES ±--- ±--- 1 PLACE ±--- ±--- ANGULAR ±---° | MM/IN | INCH | INCH | ☉ □ THIRD ANGLE PROJECTION |
| | | DRAFT WHERE APPLICABLE MUST REMAIN WITHIN DIMENSIONS | DRAWN BY DATE C. YORK 2007/02/19 CHECKED BY DATE J. MACNEIL 2007/02/19 APPROVED BY DATE J. MACNEIL 2007/02/19 | TITLE | HEADER, 3.50MM, RA SPCL. REVERSE BEND PINS W/ SLCT AU&HT HOUSING, 6CKT | |
| | | | MATERIAL NO. 395090001 | DOCUMENT NO. SD-39509-001 | MOLEX INCORPORATED SHEET NO. 1 OF 1 | |

6

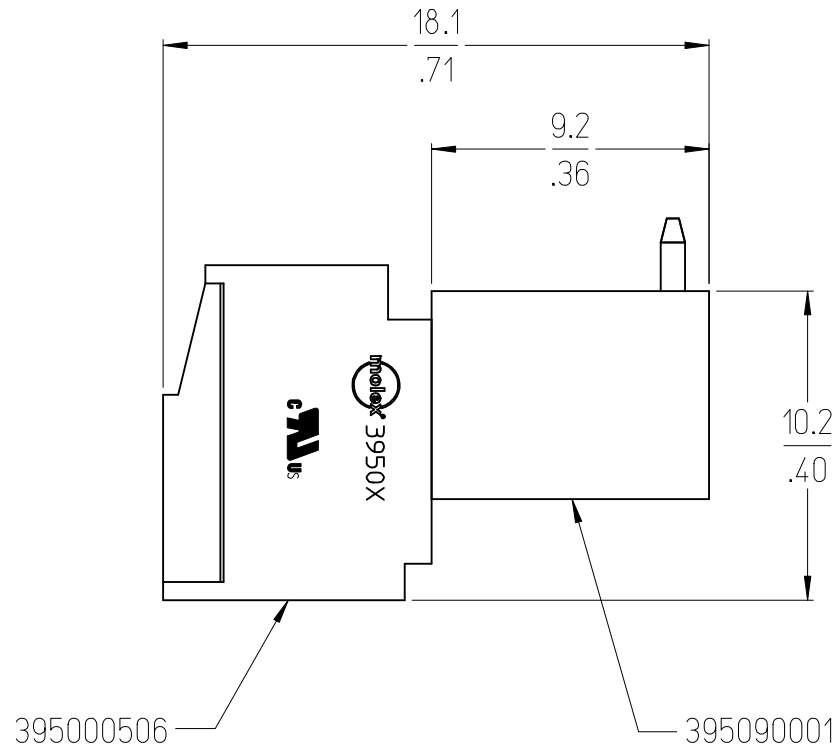
5

4

3

2

1



| TOLERANCES | | | |
|------------|-------|-----------|-------|
| MM | TOL | INCH | TOL |
| 0-6 | ±0.25 | 0-.24 | ±.010 |
| >6-30 | ±0.40 | .24-1.18 | ±.016 |
| >30-120 | ±0.50 | 1.18-4.76 | ±.020 |
| >120 | ±0.80 | >4.76 | ±.031 |

| | | | | | | | | | |
|--|--|---------------------------------------|--|--------------------------|---|---------------------|---|------------------------|------------|
| REVISED DOC TOL EC NO: IPG2017-0881 DRWN:ANAGATH 2017/03/23 CHKD: APPR:BRUPERT 2017/04/18 REV DESCRIPTION | QUALITY SYMBOLS | GENERAL TOLERANCES (UNLESS SPECIFIED) | | DIMENSION STYLE MM/IN | | SCALE | DESIGN UNITS INCH | THIRD ANGLE PROJECTION | |
| | $\blacktriangledown = 0$ $\nabla = 0$ | | mm | INCH | DRAWN BY | DATE | REFERENCE VIEW OF PLUG MATING TO SPCL REVERSE BEND HEADER | | |
| | | 4 PLACES | ± --- | ± --- | C. YORK | 2007/04/27 | | | |
| | | 3 PLACES | ± --- | ± --- | CHECKED BY | DATE | MOLEX INCORPORATED DOCUMENT NO. SD-39509-002 | | |
| | 2 PLACES | ± --- | ± --- | J. MACNEIL | 2007/04/27 | | | | |
| | 1 PLACE | ± --- | ± --- | APPROVED BY | DATE | SHEET NO. 1 OF 1 | | | |
| | ANGULAR ± ---° | | DRAFT WHERE APPLICABLE MUST REMAIN WITHIN DIMENSIONS | | J. MACNEIL | | | | 2007/04/27 |
| A1 | REV | | | SIZE A | THIS DRAWING CONTAINS INFORMATION THAT IS PROPRIETARY TO MOLEX INCORPORATED AND SHOULD NOT BE USED WITHOUT WRITTEN PERMISSION | | | | |

5

4

3

2

1