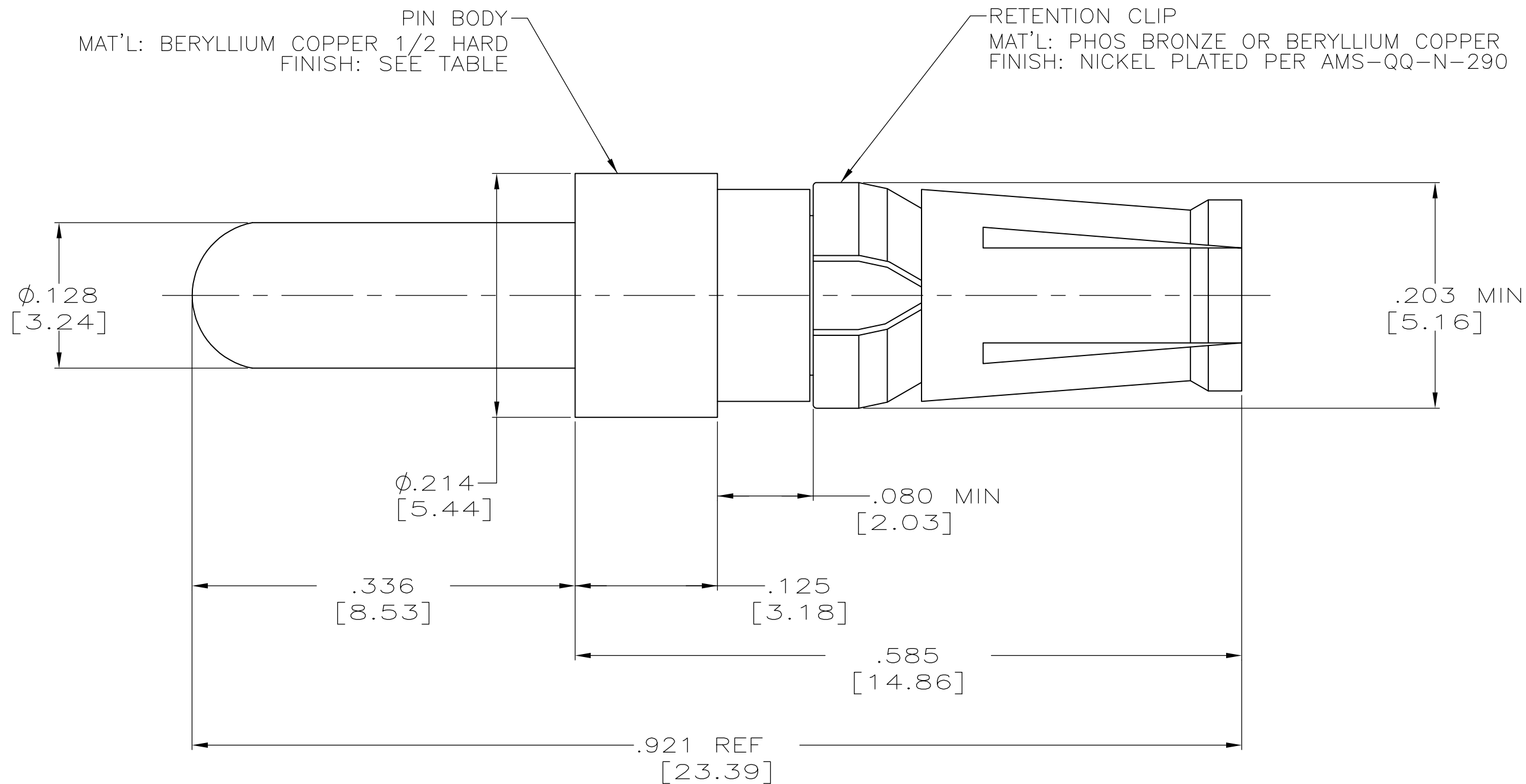


THIS DRAWING IS UNPUBLISHED. RELEASED FOR PUBLICATION
 © COPYRIGHT - By - ALL RIGHTS RESERVED.

LOC		DIST		REVISIONS			
P	LTR	DESCRIPTION	DATE	DWN	APVD		
	E	REV PER ECO 14-014240	10-1-14	CT	CD		



PRELIMINARY NOT RELEASED FOR PRODUCTION	4	1-445798-1
	2	445798-2
	1	445798-1
		BODY FINISH

- 1 CONTACT BODY FINISH: PLATED GOLD .000050-.000100 [0.00127-0.02540] THK
 ASTM-B488 TYPE 1, CODE C OVER NICKEL PLATE .000050-.000150 [0.00127-0.03810]
 THK PER SAE-AMS-QQ-N290
- 2 CONTACT BODY FINISH: PLATED GOLD .000030-.000100 [0.00076-0.02540] THK
 ASTM-B488 TYPE 1, CODE C OVER NICKEL PLATE .000050-.000150 [0.00127-0.03810]
 THK PER SAE-AMS-QQ-N290
- 3. MATES WITH ANY POWER VIII PIN CONTACT.
- 4. PART NUMBER IS RESTRICTED.

THIS DRAWING IS A CONTROLLED DOCUMENT.		DWN	C.C.THOMAS	11/10/00	 TE Connectivity							
DIMENSIONS: INCHES [mm]		CHK	D.MILLER	11/10/00								
TOLERANCES UNLESS OTHERWISE SPECIFIED:		APVD	D.MILLER	11/10/00								
0 PLC ± - 1 PLC ± - 2 PLC ± - 3 PLC ± .005 [0.13] 4 PLC ± - ANGLES ± - FINISH SEE TABLE		PRODUCT SPEC	NAME			ASSEMBLY, SOCKET CONTACT SIZE 8,P.C. BOARD MOUNT						
MATERIAL SEE CALLOUTS		APPLICATION SPEC	-		SIZE	A2	CAGE CODE	00779	DRAWING NO	C=445798	RESTRICTED TO	-
		WEIGHT	-		SCALE	10:1	SHEET	1 of 1	REV	E		
		CUSTOMER DRAWING										