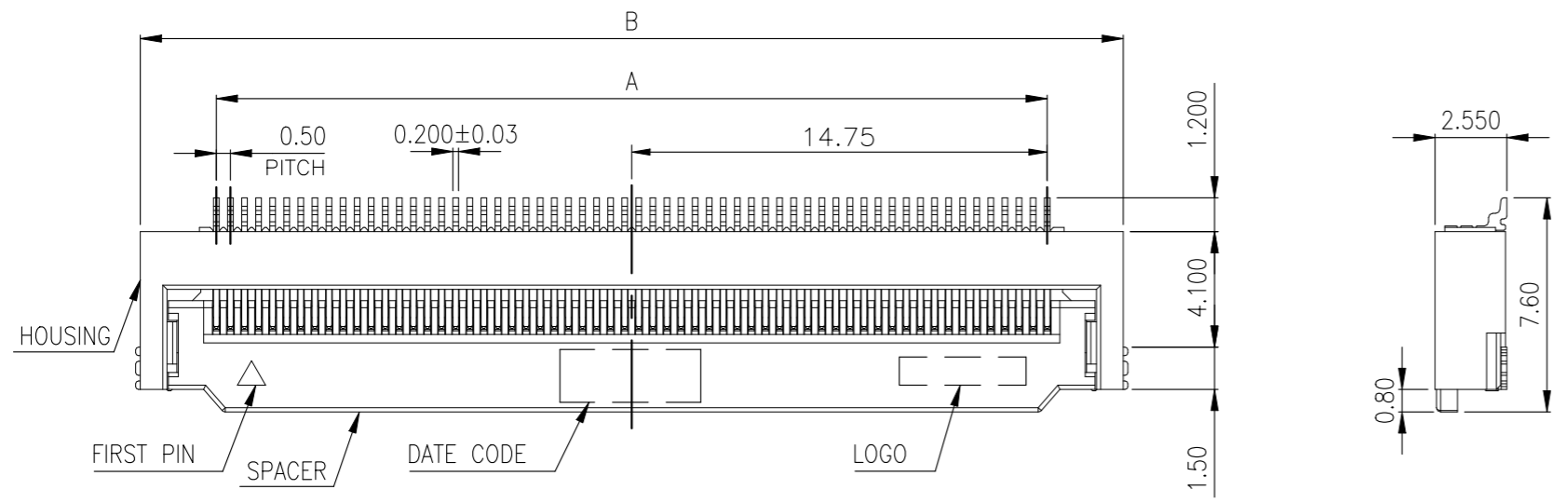
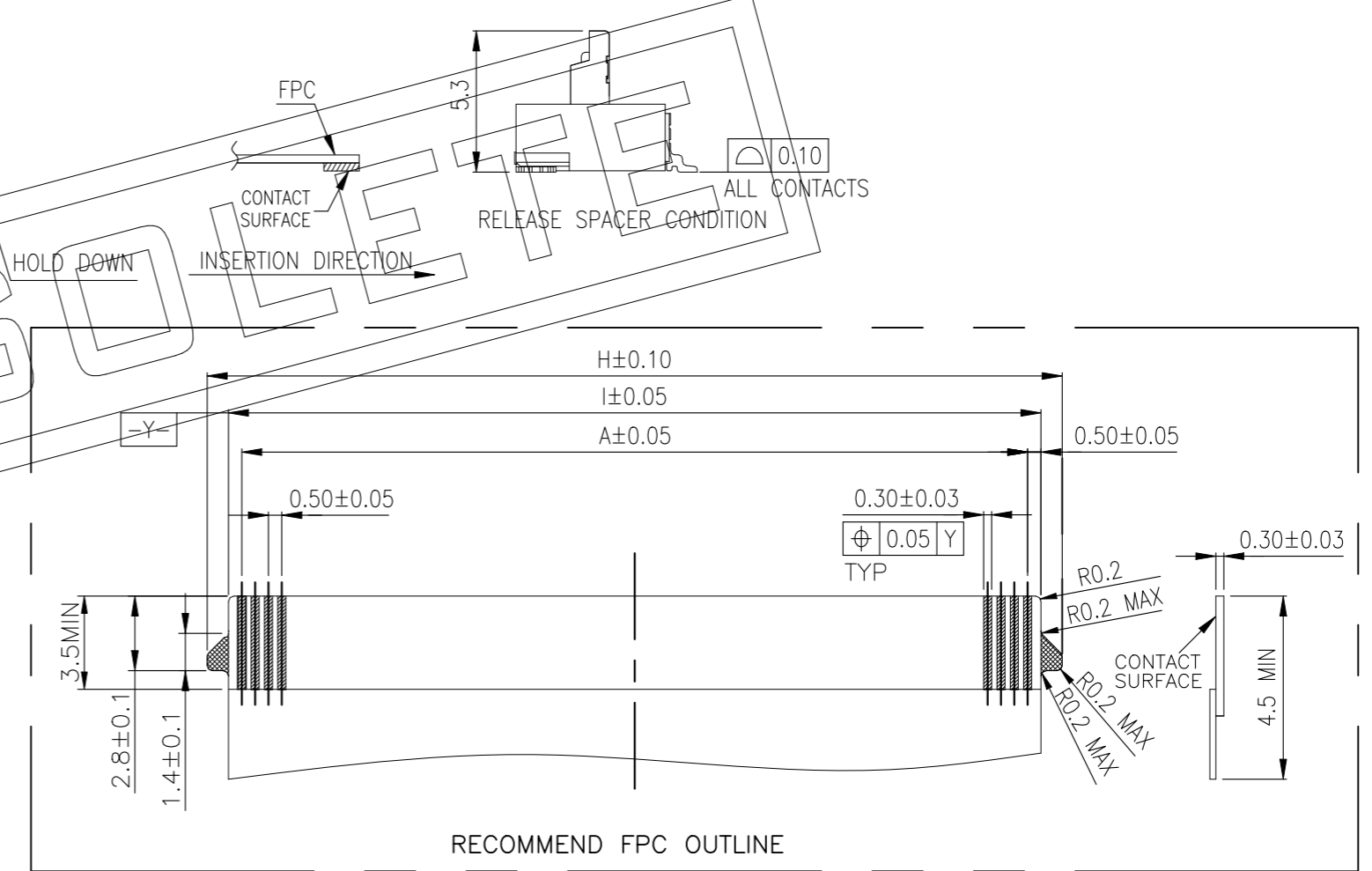
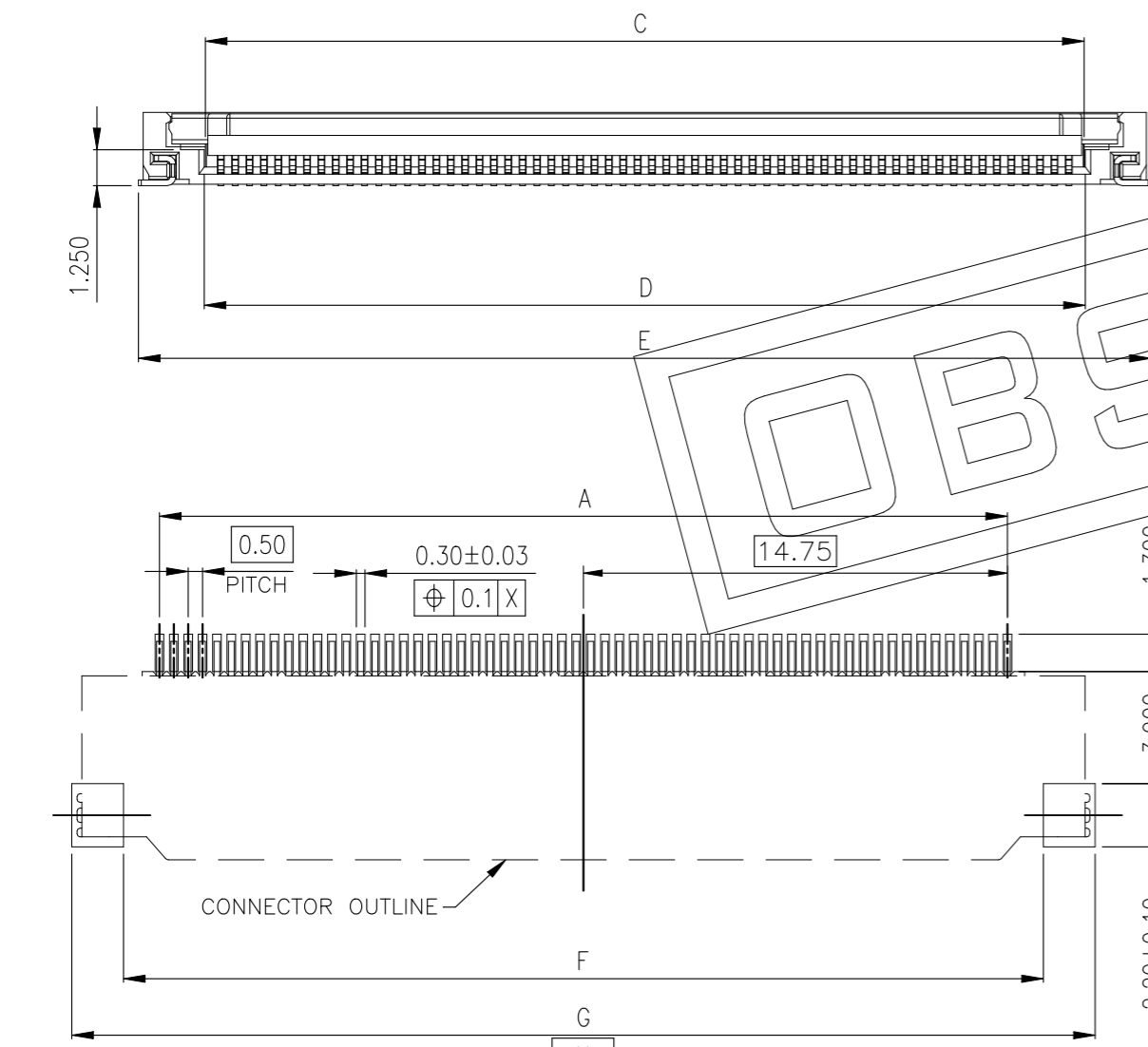


THIS DRAWING IS UNPUBLISHED. RELEASED FOR PUBLICATION
 © COPYRIGHT - TE Connectivity Ltd. ALL RIGHTS RESERVED.

REVISIONS					
P	LTR	DESCRIPTION	DATE	DWN	APVD
C1	ECR-21-102103		03NOV2021	E.Z	N.S



NOTE:
 1. MATERIAL:
 HOUSING: LCP, WITH 40% GF, UL 94V-0, NATURAL COLOR.
 SPACER: LCP, WITH 30% GF, UL 94V-0, BLACK COLOR.
 CONTACTS: PHOSPHOR BRONZE.
 HOLD DOWN: BRASS.
 2. FINISH:
 CONTACTS: GOLD FLASH PLATED ALL CONTACT AREA,
 1.27μm [50μ"] MIN. NICKEL UNDERPLATED OVER ALL.
 HOLD DOWN: 3.04μm [120μ"]~5.08μm [200μ"] MATTE-TIN OVER ALL.
 1.27μm [50μ"] MIN. NICKEL UNDERPLATED OVER ALL.
 3. REFLOW SOLDER CAPABLE TO 260°C PER TEST SPEC.
 109-201, CONDITION B.



RECOMMENDED P.C. BOARD PATTERN LAYOUT
 METAL MASK: T=0.15, TOLERANCE: ±0.05

POS.	PN	DIM.A	DIM.B	DIM.C	DIM.D	DIM.E	DIM.F	DIM.G	DIM.H	DIM.I
40	4-2041215-0	19.50	24.90	20.60	20.65	25.23	22.00	25.60	22.10	20.50
60	2041215-1	29.50	34.90	30.60	30.65	35.23	32.00	35.60	32.10	30.50

THIS DRAWING IS A CONTROLLED DOCUMENT.

DWN	J. LAI	17SEP2009
CHK	S. CHIEN	17SET2009
APVD	W. KODAMA	
PRODUCT SPEC	108-57789	
APPLICATION SPEC		
WEIGHT	-	

STE TE Connectivity

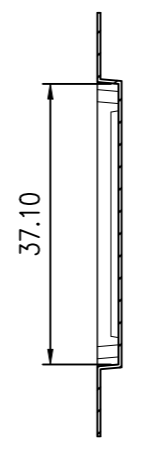
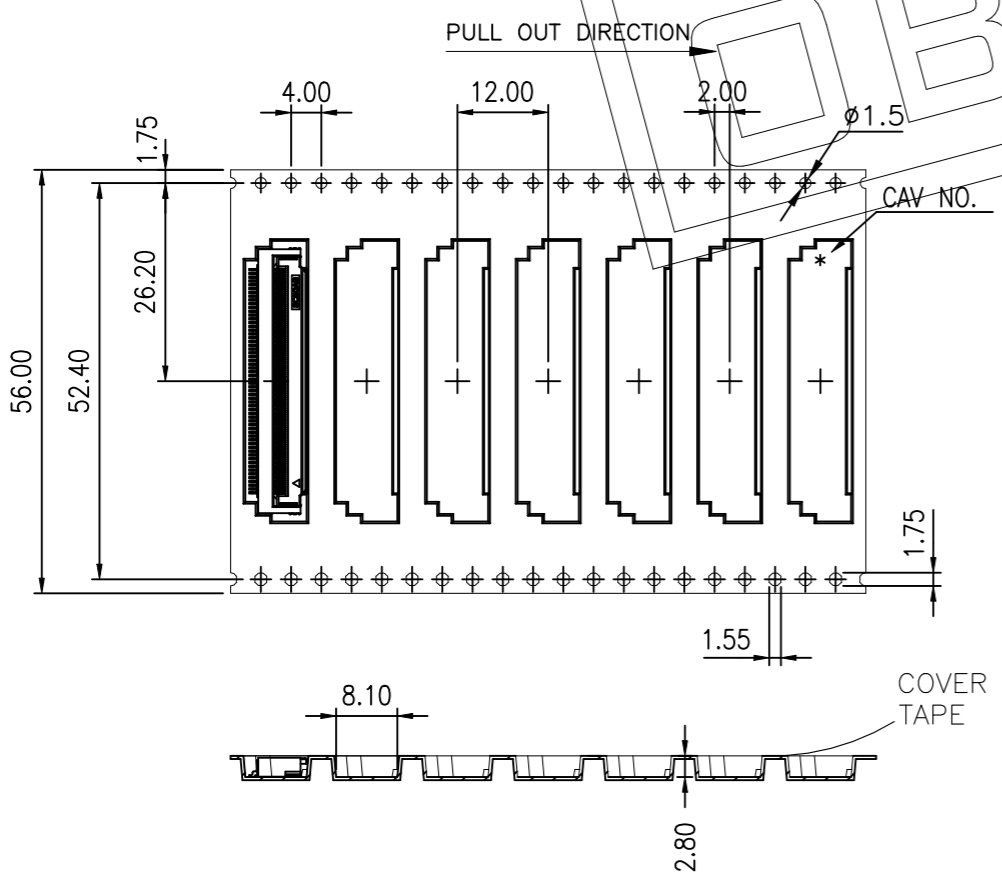
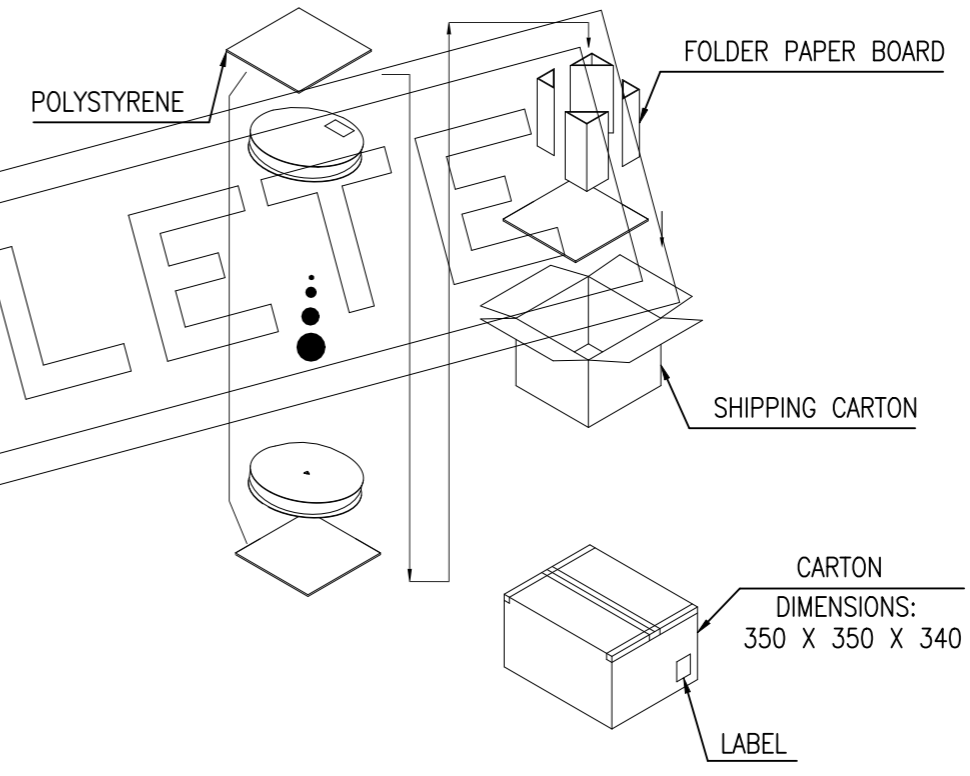
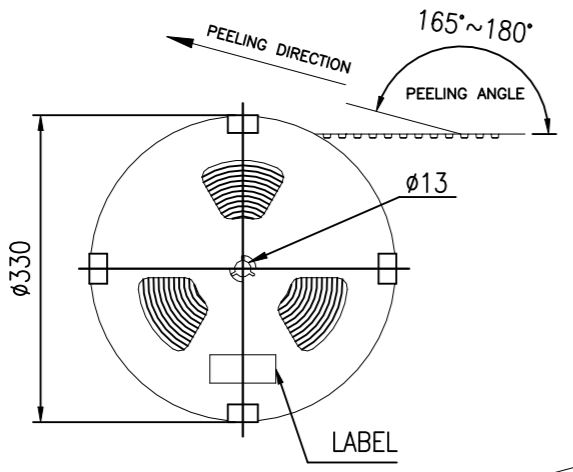
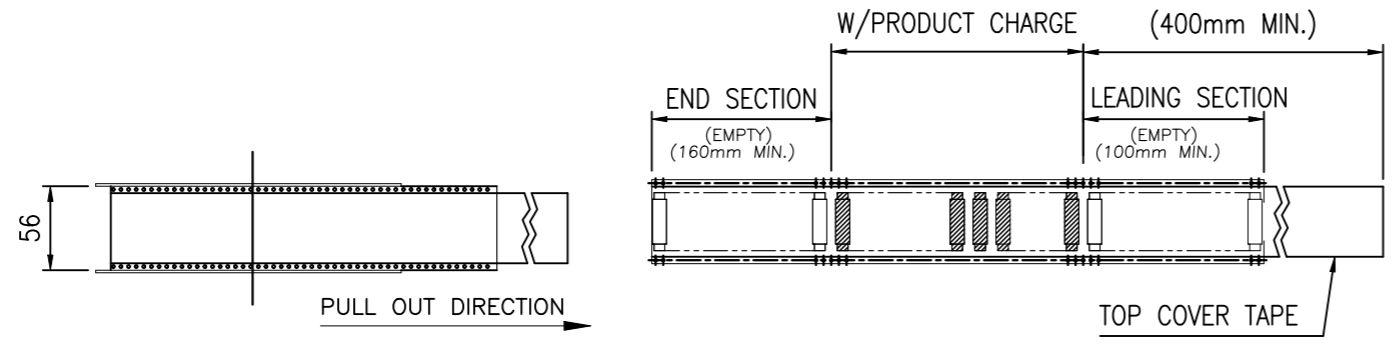
NAME: ZIF FPC 0.50mm PITCH CONNECTOR, 2.5mm HIGH, LOCK TYPE

SIZE	CAGE CODE	DRAWING NO	RESTRICTED TO
A3	00779	C=2041215	-

CUSTOMER DRAWING SCALE 1:1 SHEET 1 OF 1 REV C1

THIS DRAWING IS UNPUBLISHED. RELEASED FOR PUBLICATION
 © COPYRIGHT - TE Connectivity Ltd. ALL RIGHTS RESERVED.

P	LTR	DESCRIPTION	DATE	DWN	APVD
-	-	SEE SHEET 1	-	-	-



10800	6	1800	4-2041215-0
9000	5	1800	2041215-1
QUANTITY(PCS)	REEL/CARTON	PCS/REEL	PN

THIS DRAWING IS A CONTROLLED DOCUMENT.		DWN J. LAI 17SEP2009		TE Connectivity	
DIMENSIONS: mm		CHK S. CHIEN 17SET2009			
TOLERANCES UNLESS OTHERWISE SPECIFIED:		APVD W. KODAMA		NAME	
0 PLC ± -		PRODUCT SPEC		ZIF FPC 0.50mm PITCH CONNECTOR, 2.5mm HIGH, LOCK TYPE	
1 PLC ± 0.30		APPLICATION SPEC		SIZE	
2 PLC ± 0.20		108-57789		CAGE CODE	
3 PLC ± 0.15		-		DRAWING NO	
4 PLC ± -		WEIGHT -		A3 00779 C-2041215	
ANGLES ± -		CUSTOMER DRAWING		RESTRICTED TO	
FINISH		SCALE 1:1		SHEET 2 OF 2	
SEE NOTE		REV C1			