

TABLE 1

MOLEX P/N	ENG. NO.	LED
1202510073	BKB8010-FBB	NO
1202510074	BKB801P-FBB	YES
1202510075	BKB801N-FBB	YES

TABLE 2 BILL OF MATERIAL

ITEM	DESCRIPTION	MATERIAL	FINISH
1	LABEL	ABS	WHITE
2	SHELL	BRASS	NICKEL PLATED
3	CONTACT	BRASS	GOLD OVER NICKEL
4	CONTACT	BRONZE	GOLD OVER NICKEL
5	O-RING	FPM	RED
6	LED	NO LED = PA	BLACK
		WITH LED = PA	TRANSPARENT
7	SHELL	BRASS	NICKEL PLATED
8	HOUSING	PBT	BLACK

2X FIXING SLOT HOLES
SUITABLE FOR M4
SCREWS

107^{+0.5}_{0.0}

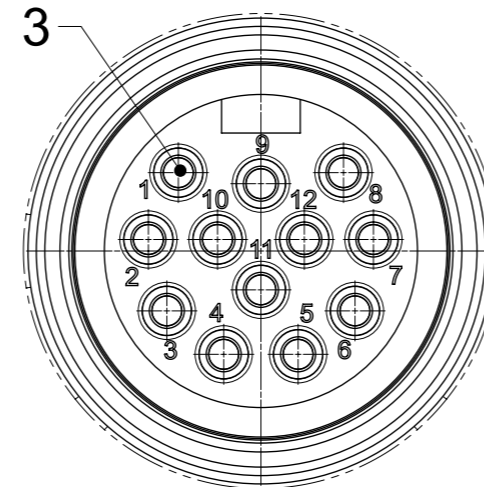
73

M 12 x1

2X FIXING SLOT HOLES
SUITABLE FOR M4
SCREWS

39
33

34
54

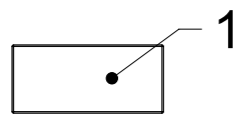


DETAIL B
SCALE 2:1
NOTE - PIN 12 NOT USED

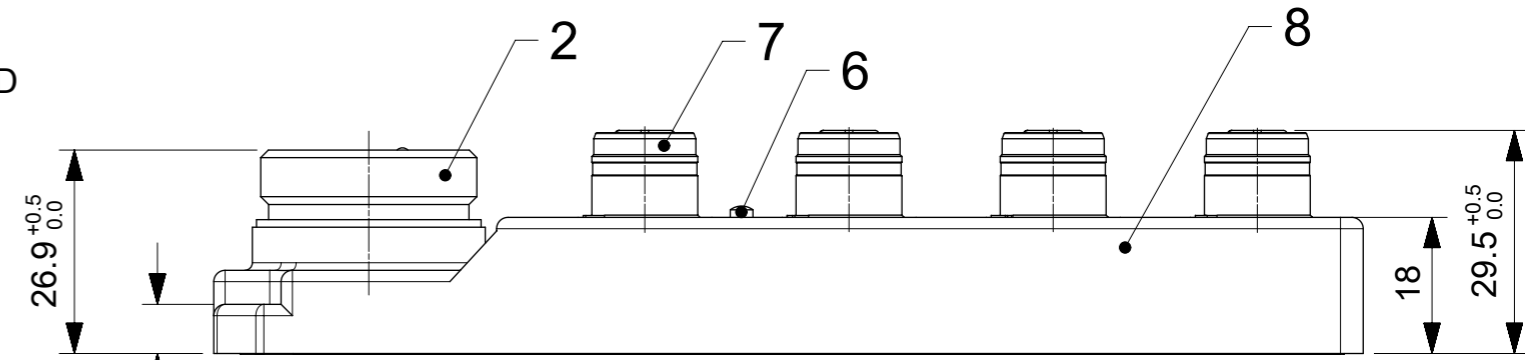
LASER PRINTING:
BRAD LOGO

LASER PRINTING:
PN: 120251XXXX
ENG.: BKB801X-FBB
PO: XXXXXXXXXX

SCALE 1:1



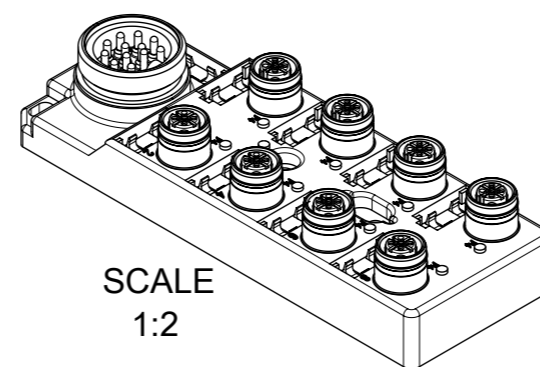
LABEL
9x packed in a bag



GENERAL CHARACTERISTICS:

ELECTRICAL AND MECHANICAL DATA ACC. TO IEC 61076-2-101

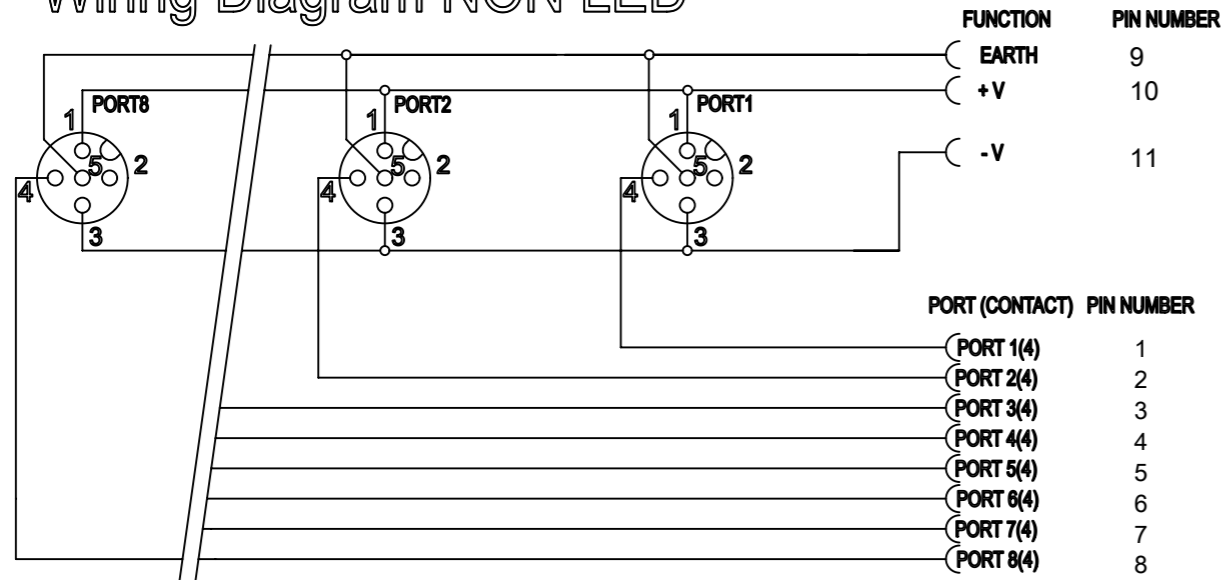
NOMINAL VOLTAGE: 10-30 V DC
 AMPERE RATING: 4 A PER PORT / 12 A MAX
 AMPERE RATING WITH UL REGISTRATION: 3 A PER PORT / 9 A MAX
 IP DEGREE OF PROTECTION: IP 67
 TEMPERATURE RANGE: -25°C to + 85°C



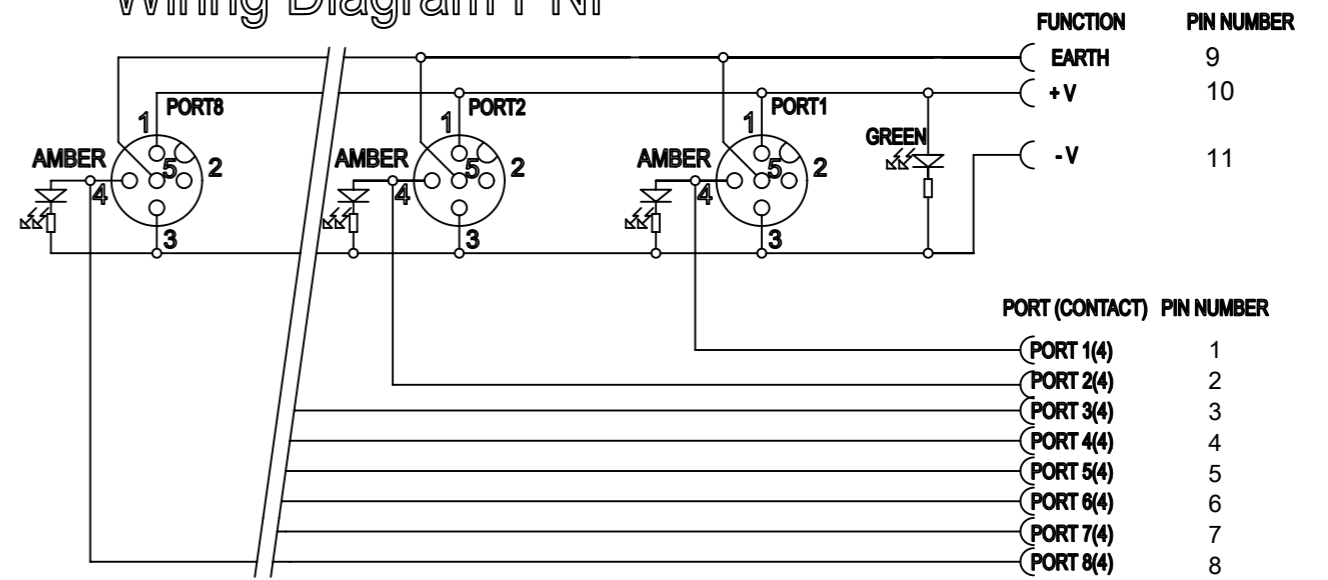
SCALE
1:2

SYMBOLS		THIS DRAWING CONTAINS INFORMATION THAT IS PROPRIETARY TO MOLEX ELECTRONIC TECHNOLOGIES, LLC AND SHOULD NOT BE USED WITHOUT WRITTEN PERMISSION	
DIMENSION UNITS	SCALE	CURRENT REV DESC:	
mm	1:1	EC NO: 630686	
GENERAL TOLERANCES (UNLESS SPECIFIED)		DRWN: SSM	2018/12/14
ANGULAR TOL ± 1.0°		CHK'D: RSILLER	2020/01/17
4 PLACES ±		APPR: RSILLER	2020/01/17
3 PLACES ±		INITIAL REVISION:	
2 PLACES ± 0.05		DRWN: SSM	2018/12/14
1 PLACE ± 0.3		APPR: RSILLER	2020/01/17
0 PLACES ± 0.5		THIRD ANGLE PROJECTION	
DRAFT WHERE APPLICABLE MUST REMAIN WITHIN DIMENSIONS		DRAWING	SERIES
		A3-SIZE	120251
		MATERIAL NUMBER	CUSTOMER
		SEE TABLE 1	GENERAL MARKET
		DOCUMENT NUMBER	DOC TYPE DOC PART REVISION
		1202510073	PSD 000 A
		SHEET NUMBER	
		1 OF 2	

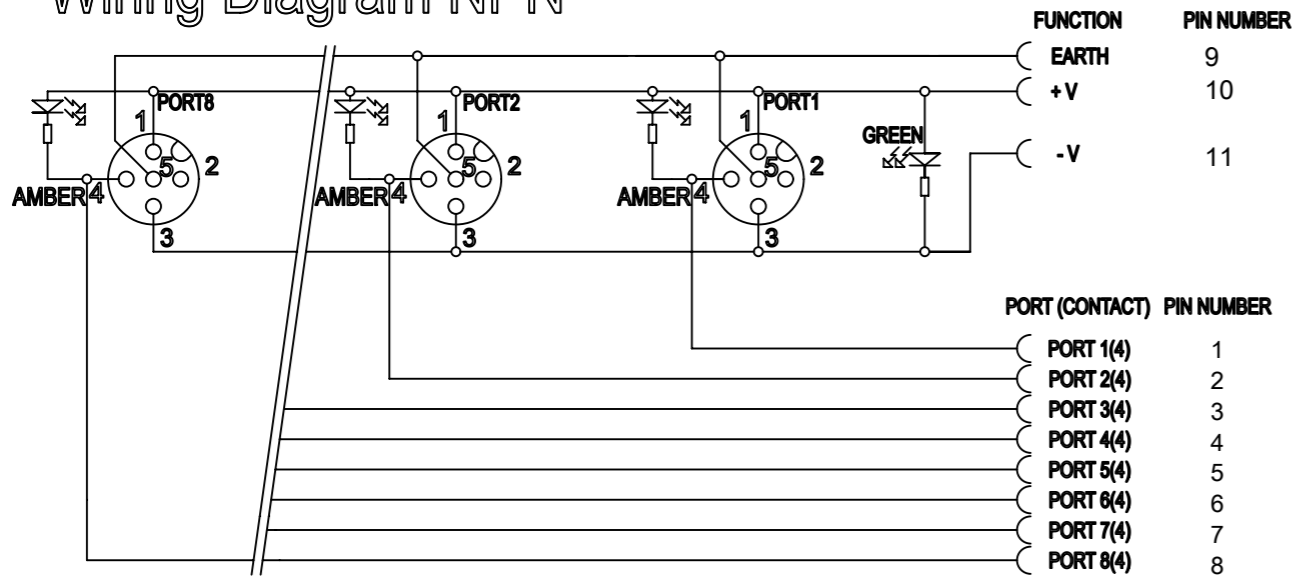
Wiring Diagram NON LED



Wiring Diagram PNP



Wiring Diagram NPN



SYMBOLS ▽ = 0 ▽ = 0 ▽ = 0 ▽ = 0 ▽ = 0 ▽ = 0 ▽ = 0 ▽ = 0 ▽ = 0	THIS DRAWING CONTAINS INFORMATION THAT IS PROPRIETARY TO MOLEX ELECTRONIC TECHNOLOGIES, LLC AND SHOULD NOT BE USED WITHOUT WRITTEN PERMISSION DIMENSION UNITS: mm SCALE: 1:1	CURRENT REV DESC: EC NO: 630686 DRWN: SSM 2018/12/14 CHK'D: RSILLER 2020/01/17 APPR: RSILLER 2020/01/17 INITIAL REVISION: DRWN: SSM 2018/12/14 APPR: RSILLER 2020/01/17	molex			
	GENERAL TOLERANCES (UNLESS SPECIFIED) ANGULAR TOL ± 1.0°		MPIS U12 NON 4P 8PT MINI CHANGE BK SINGL			
	4 PLACES ± 3 PLACES ± 2 PLACES ± 0.05 1 PLACE ± 0.3 0 PLACES ± 0.5		PRODUCT CUSTOMER DRAWING			
	DRAFT WHERE APPLICABLE MUST REMAIN WITHIN DIMENSIONS		DOCUMENT NUMBER: 1202510073	DOC TYPE: PSD	DOC PART: 000	REVISION: A
	THIRD ANGLE PROJECTION		DRAWING: A3-SIZE	SERIES: 120251	MATERIAL NUMBER: SEE TABLE 1	CUSTOMER: GENERAL MARKET