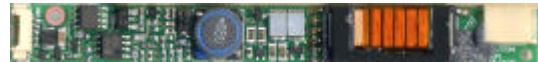


CXA-K0612-VSL(4W SINGLE OUTPUT WITH DIMMING FUNCTION)

DESCRIPTION :

This low profile DC to AC Inverter is developed for single lamp, low power LCD back-light. Application includes industrial PC and LCD monitor.

Applicable LCD; 5 to 13 inches single lamp type
 Lamp Voltage 600Vrms
 Lamp Current 6mArms
 Lamp Start Up Voltage 1600Vrms



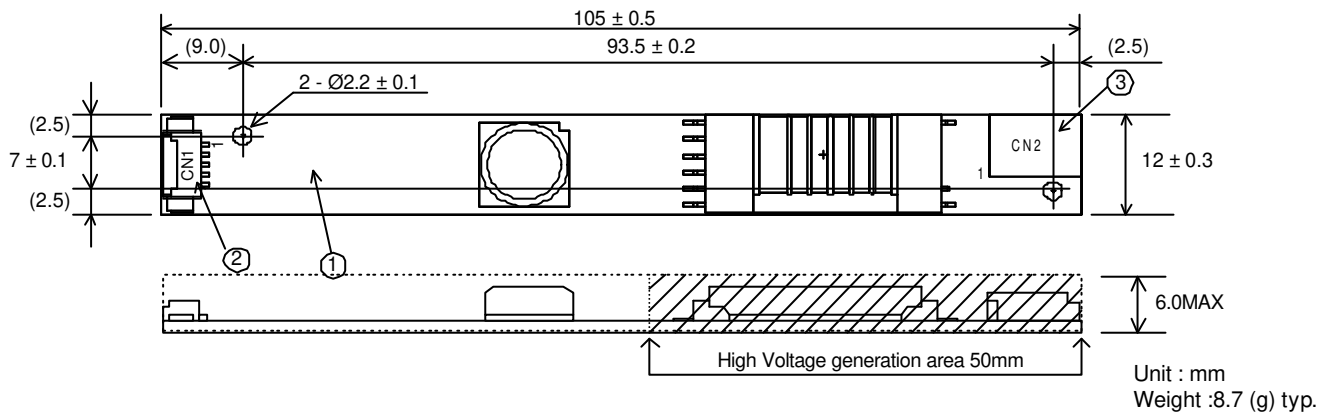
FEATURES :

- Wide operating temperature range
- Current feedback circuit
- High efficiency
- Low noise with voltage resonant circuit
- Regulated output current

TEMPERATURE & HUMIDITY :

Operating Temperature Range 0 °C ~ +60 °C
 Storage Temperature Range -30°C ~ +85 °C
 Humidity 95 %RH max

DIMENSIONS :



Note : Please use minimum of 2mm clearance (all directions) between inverter high voltage area (as marked above) and any conductors.

No.	Part Description	Qty.	Note
1	PWB	1	UL94V-0 t=1.0mm
2	Connector CN1	1	53261-0590 (Molex)
3	Connector CN2	1	SM02B-BHSS-1 (JST)

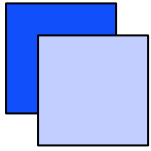
CN1 : 53261-0590 (Molex)

Pin	Symbol	Note
CN1-1	Vin	9.6 ~ 15V
CN1-2	GND	0 V
CN1-3	Vrmt	0V ~ 0.8V : OFF 2.5V ~ 15V : ON
CN1-4	Vbr	0 ~ 2V
CN1-5	N.C.	For an internal circuit use. Don't connect.

CN2 : SM02B-BHSS-1 (JST)

Pin	Symbol	Note
CN2-1	Vhigh	600Vrms (6mArms)
CN2-2	Vlow	(0.6V)

General Information Tel : +81-3-5201-7206 (Japan)
 Tel : +1-847-390-4439 (USA)
 Tel : +44-118-921-6206 (EU)

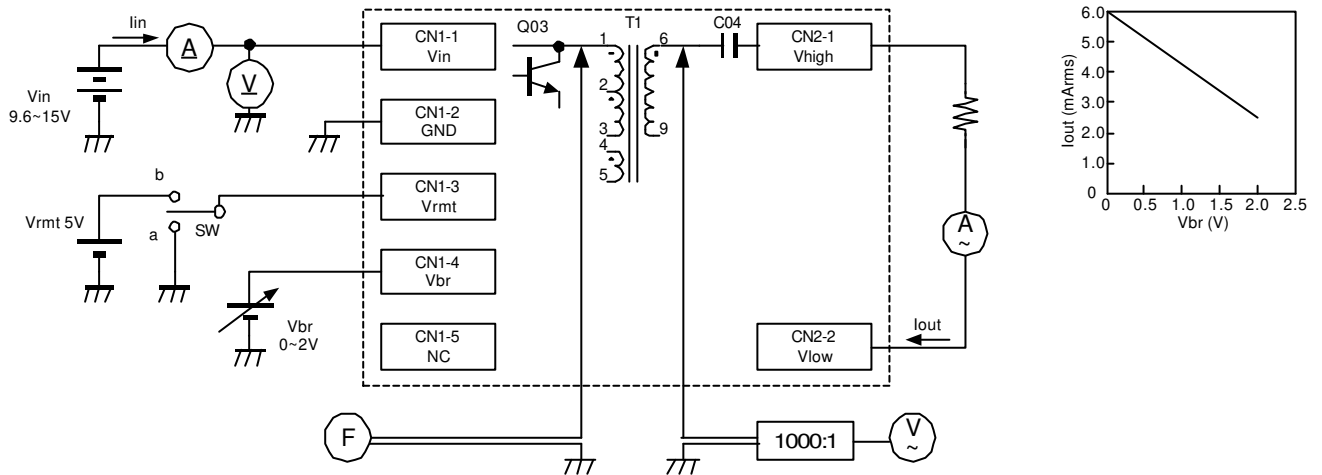


CXA-K0612-VSL(4W SINGLE OUTPUT WITH DIMMING FUNCTION)

ELECTRICAL CHARACTERISTICS :

Parameters	Symbol	Conditions					Specifications			Unit	Note
		Vin (V)	Vrmt(V)	Vbr (V)	Ta (°C)	RL (kΩ)	min.	typ.	max.		
Output Current	Iout	9.6 ~ 15	5	0	0 ~ +60	100	5.5	6.0	6.5	mArms	Max Brightness.
		12	5	2	0 ~ +60	200	2.0	2.5	3.0	mArms	Min Brightness.
Input Current	Iin	12	5	0	0 ~ +60	100	-	0.4	0.5	Adc	
Frequency	FL	12	5	0	0 ~ +60	100	50	55	60	kHz	
Open Voltage	Vopen	9.6	5	0	0 ~ +60	∞	1500	1600	-	Vrms	

TEST CIRCUIT :



SW	Operation of unit
a	0-0.8V Non operation
b	2.5-15V Operation