

6

5

4

3

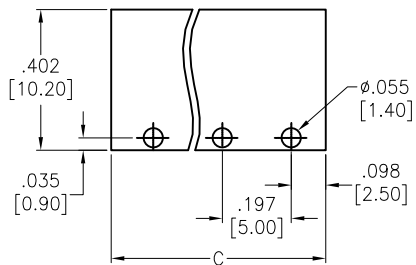
2

1

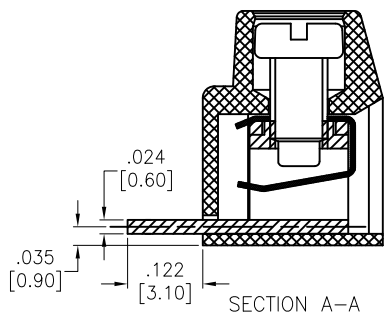
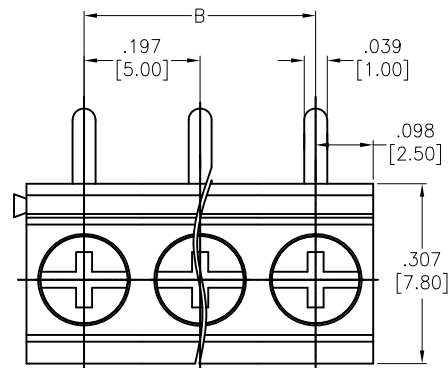
APPROVED: _____

DATE: _____ TITLE: _____

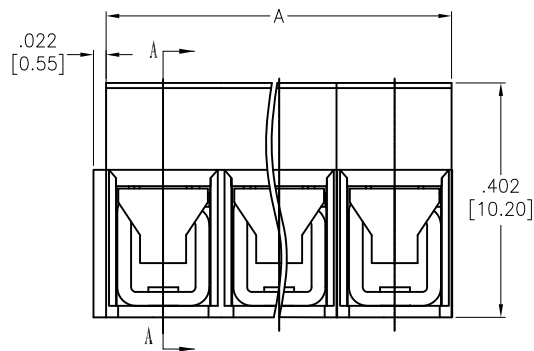
Rev	AWO #	Description	Date	Appr
-		RELEASED	2/12/20	



RECOMMENDED PCB LAYOUT



SECTION A-A



SPECIFICATIONS:

Material:
 Insulator: PA66, rated UL 94V-0
 Insulator color: Green
 Contact: Brass, Tin plated
 Screws: M2.5 Steel, Zinc plated
 Shrapnel: Phosphor Bronze, Nickel plated

Electrical:
 Voltage rating: 300 V
 Current rating: 8 A
 Contact resistance: 20 mohms
 Insulation resistance: 500 Mohms min @ 500 VDC
 Dielectric withstanding voltage: 1600 VAC for 1 minute

Mechanical:
 Torque: 3 Kgf-cm
 Wire Range: 26-14AWG, 1.5mm²
 Strip Length: 6-7mm
 Temperature Rating:
 -40°C to +105°C
 Environmental:
 Lead free, RoHS compliant.



Positions: 02 thru 24
 A = .197 [5.00] x No. of Positions
 B = .197 [5.00] x No. of Space
 C = .197 [5.00] x No. of Positions + .022 [0.55]

UNLESS OTHERWISE SPECIFIED ALL DIMENSIONS ARE INCHES [MM] TOLERANCES: EXCEPT AS NOTED		ADAM TECH 909 Rahway Avenue, Union, NJ 07083 Phone: 908-687-5000 Fax: 908-687-5710																	
INCHES		HOLES																	
.X ± .10	Ø.X ± .10	<table border="1"> <tr> <td colspan="2">APPROVALS</td> <td colspan="2">DATE</td> </tr> <tr> <td>DRAWN</td> <td>LH</td> <td colspan="2">2/12/20</td> </tr> <tr> <td>CHECKED</td> <td>RL</td> <td colspan="2">2/12/20</td> </tr> <tr> <td>APPROVED</td> <td></td> <td colspan="2"></td> </tr> </table>		APPROVALS		DATE		DRAWN	LH	2/12/20		CHECKED	RL	2/12/20		APPROVED			
APPROVALS				DATE															
DRAWN	LH			2/12/20															
CHECKED	RL	2/12/20																	
APPROVED																			
.XX ± .020	Ø.XX ± .015	TITLE																	
.XXX ± .015	Ø.XXX ± .010	EURO BLOCK, .197 [5.00] PITCH, RIGHT ANGLE																	
SIZE X		PART NO.	REV.																
REF: S00067C		EB15A-XX-C	-																
SCALE: NTS		SHEET 1 OF 1																	

6

5

4

3

2

1

D

D

C

C

B

B

A

A