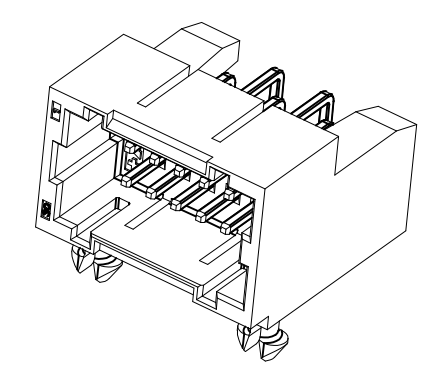
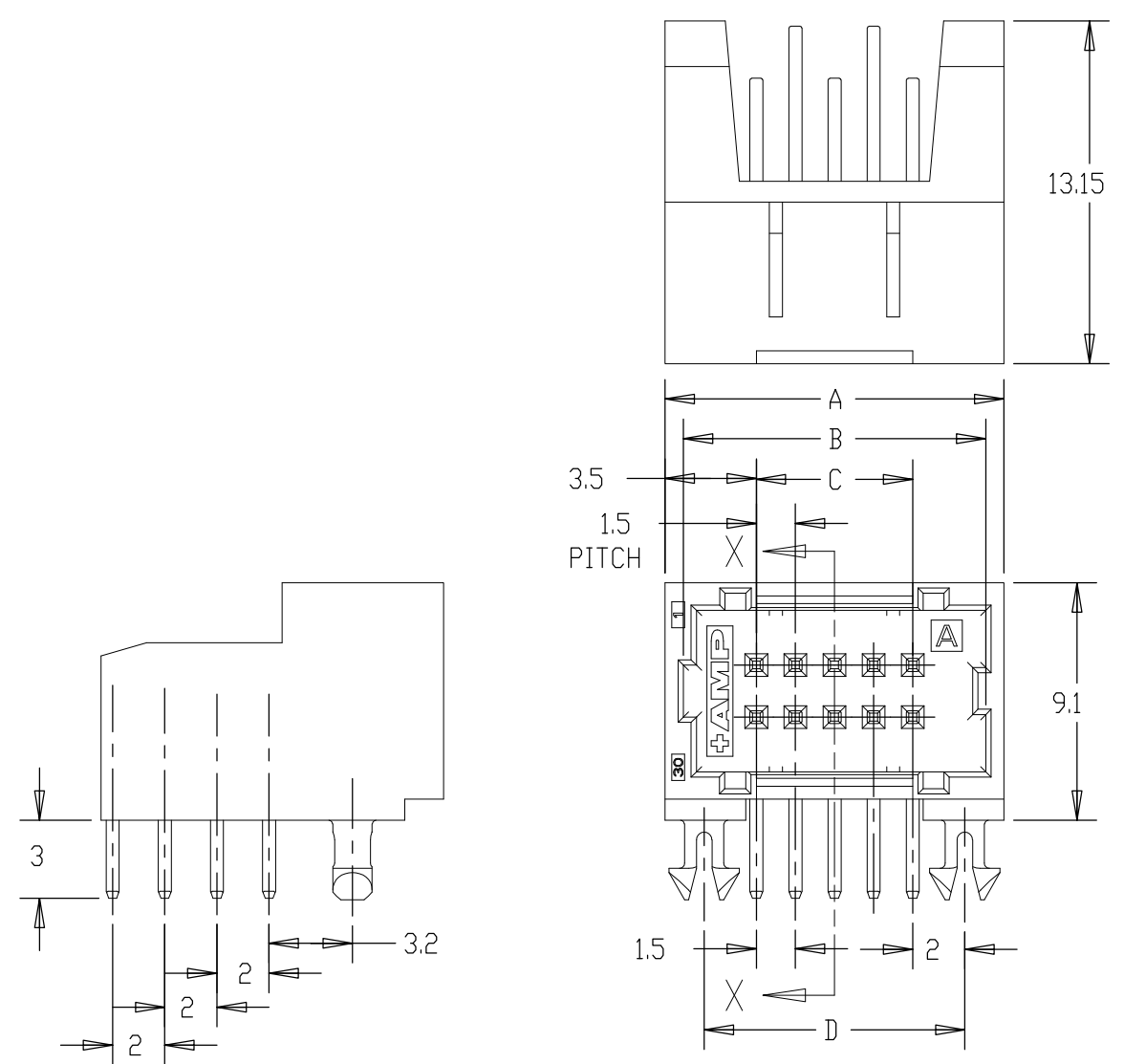
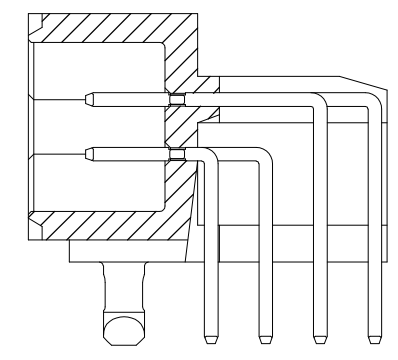


THIS DRAWING IS UNPUBLISHED. RELEASED FOR PUBLICATION
 © COPYRIGHT - By - ALL RIGHTS RESERVED.

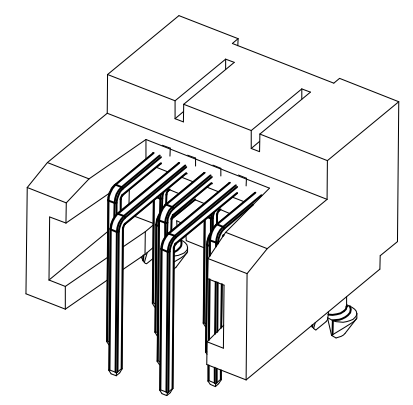
LOC	DIST	REVISIONS					
ES	00	P	LTR	DESCRIPTION	DATE	DWN	APVD
			B2	REVISED PER ECO-11-005033	29MAR11	RK	HMR



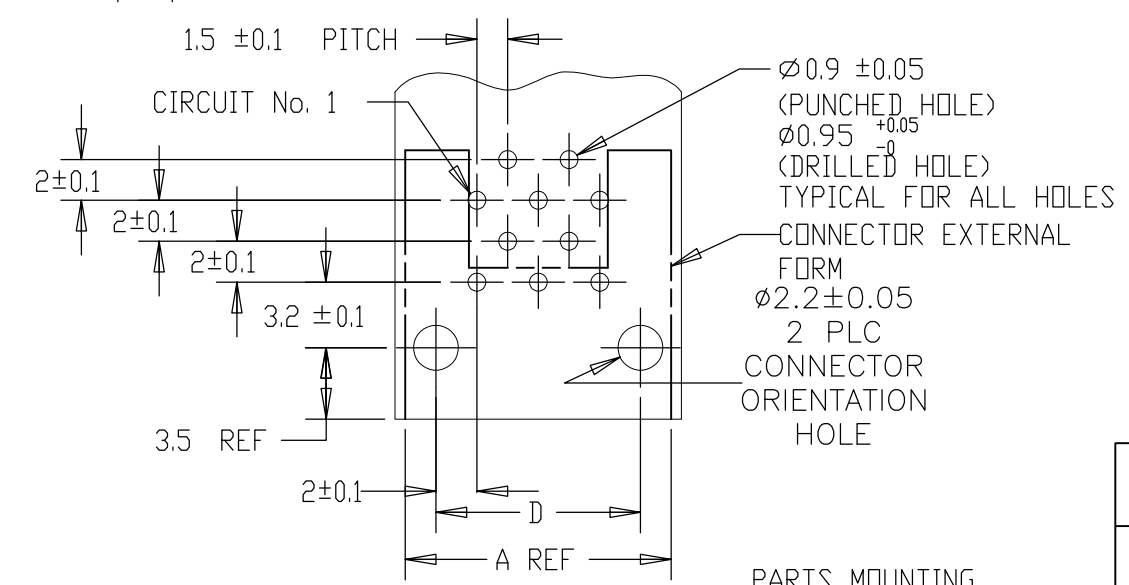
ISOMETRIC VIEW
SCALE 3:1



SECTION X-X



ISOMETRIC VIEW
SCALE 3:1



RECOMMENDED PCB LAYOUT - THK= 1.6
NON-ACCUMULATIVE TOLERANCE
SCALE 3:1

- NOTES:
- MATERIAL:
HOUSING: NYLON (G.F) UL 94V-0
POST: PRE-TIN 0.5MM SQ BRASS WIRE
 - GENERAL TOLERANCE ±0.3

THIS DRAWING IS A CONTROLLED DOCUMENT.		DWN	J.JIANG	13FEB03	STE TE Connectivity		
DIMENSIONS: mm		CHK	S.YAO	13FEB03			
TOLERANCES UNLESS OTHERWISE SPECIFIED:		APVD	T.SASAKI	13FEB03	NAME		
0 PLC ± -		PRODUCT SPEC		DBL ROW (H) TYPE WITH BOADRLOCK HDR ASSY			
1 PLC ± 0.3		108-60018		For AMP Mini Common Terminated (CT)			
2 PLC ± 0.10		APPLICATION SPEC		Connector 1.5mm Pitch			
3 PLC ± 0.001		114-5223		SIZE	CAGE CODE	DRAWING NO	RESTRICTED TO
4 PLC ± 0.0001		WEIGHT		A300779		C-292262	-
ANGLES ± -		CUSTOMER DRAWING		SCALE	4:1	SHEET	1 OF 2
FINISH		SEE NOTE		REV		B2	

THIS DRAWING IS UNPUBLISHED. RELEASED FOR PUBLICATION - , - .
 © COPYRIGHT - By - ALL RIGHTS RESERVED.

LOC	DIST	REVISIONS					
		P	LTR	DESCRIPTION	DATE	DWN	APVD
ES	00		-	SEE SHEET 1	-	-	-

2.7	35.5	28.5	34.1	35.5	40	9-292262-0	4-292262-0
2.6	31.0	27.0	32.6	34.0	38	8-292262-8	3-292262-8
2.5	29.5	25.5	31.1	32.5	36	8-292262-6	3-292262-6
2.4	28.0	24.0	29.6	31.0	34	8-292262-4	3-292262-4
2.3	26.5	22.5	28.1	29.5	32	8-292262-2	3-292262-2
2.2	25.0	21.0	26.6	28.0	30	8-292262-0	3-292262-0
2.1	23.5	19.5	25.1	26.5	28	7-292262-8	2-292262-8
2.0	22.0	18.0	23.6	25.0	26	7-292262-6	2-292262-6
1.9	20.5	16.5	22.1	23.5	24	7-292262-4	2-292262-4
1.8	19.0	15.0	20.6	22.0	22	7-292262-2	2-292262-2
NET WEIGHT (g)	D	C	B	A	POS	BLUE	GRAY (NATURAL)
	DIMENSIONS					P/N	

THIS DRAWING IS A CONTROLLED DOCUMENT.		DWN	STE TE Connectivity				
DIMENSIONS: mm		CHK					
		APVD	NAME DBL ROW (H) TYPE WITH BOADRLOCK HDR ASSY For AMP Mini Common Terminated (CT) Connector 1.5mm Pitch				
		PRODUCT SPEC	SIZE				
TOLERANCES UNLESS OTHERWISE SPECIFIED:		SEE SHEET 1	CAGE CODE		DRAWING NO		RESTRICTED TO
0 PLC ± -		SEE SHEET 1	A300779		G-292262		-
1 PLC ± 0.3		APPLICATION SPEC	WEIGHT		SCALE		SHEET
2 PLC ± 0.10		FINISH	CUSTOMER DRAWING		1:1		2 OF 2
3 PLC ± 0.001		SEE NOTE 1					REV
4 PLC ± 0.0001							B2
ANGLES ± -							