

☆Green Operation Compatible

■ GENERAL DESCRIPTION

The MYRGP-W/B series is a synchronous step-down mini DC/DC converter which integrates an inductor and a control IC in one tiny package (2.5mm×2.0mm, H=1.0mm). A stable power supply with an output current of 600mA is configured using only two capacitors connected externally. Operating voltage range is from 1.8V to 6.0V.

Output voltage is adjustable from 0.9V to 4.0V by an external resistor divider.

The device is operated by 3.0MHz, and includes 0.42Ω P-channel driver transistor and 0.52Ω N-channel switching transistor. As for operation mode, the MYRGP-W series is PWM control, the MYRGP-B series is automatic PWM/PFM switching control.

During stand-by, the device is shutdown to reduce current consumption to as low as 1.0μA or less. With the built-in UVLO (Under Voltage Lock Out) function, the internal driver transistor is forced OFF when input voltage becomes 1.4V or lower.

MYRGP-x-RF series provide short-time turn-on by the soft start function internally set in 0.25ms (TYP).

MYRGP-x-RF integrate C_L auto discharge function which enables the electric charge stored at the output capacitor C_L to be discharged via the internal auto-discharge switch located between the L_x and V_{SS} pins.

When the devices enter stand-by mode, output voltage quickly returns to the V_{SS} level as a result of this function.



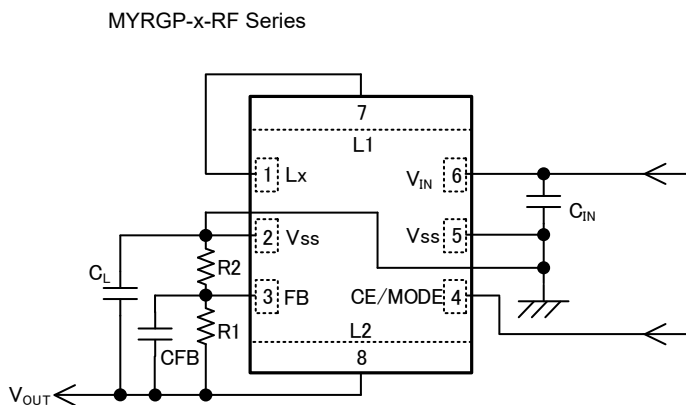
■ APPLICATIONS

- Mobile phones, Smart phones
- Bluetooth Headsets
- WiMAX PDAs, MIDs, UMPCs
- Portable game consoles
- Digital cameras, Camcorders
- Electronic dictionaries

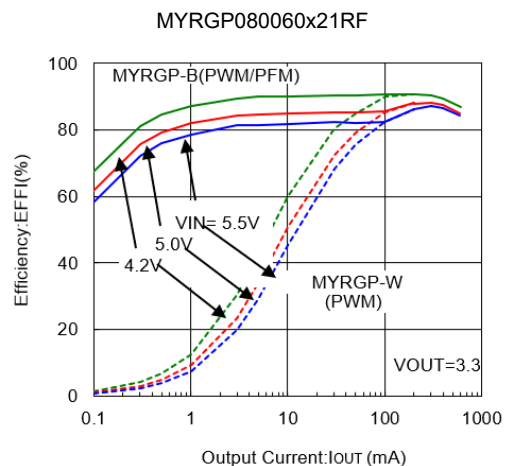
■ FEATURES

Ultra-Small	: 2.5mm × 2.0mm, H=1.0mm
Input Voltage	: 1.8V ~ 6.0V
Output Voltage	: 0.9V ~ 4.0V ($\pm 2.0\%$)
High Efficiency	: 90% (V _{IN} =4.2V, V _{OUT} =3.3V)
Output Current	: 600mA
Oscillation Frequency	: 3.0MHz ($\pm 15\%$)
Maximum Duty Cycle	: 100%
Capacitor	: Low ESR Ceramic
CE Function	: Active High
	Soft-Start Circuit Built-In
	C _L High Speed Auto Discharge
Protection Circuits	: Current Limiter Circuit Built-In (Constant Current & Latching)
Control Methods	: PWM (MYRGP-W) PWM/PFM Auto (MYRGP-B)
Operating Ambient Temperature	: -40°C ~ 85°C
Environmentally Friendly	: EU RoHS Compliant, Pb Free Halogen Free

■ TYPICAL APPLICATION CIRCUIT

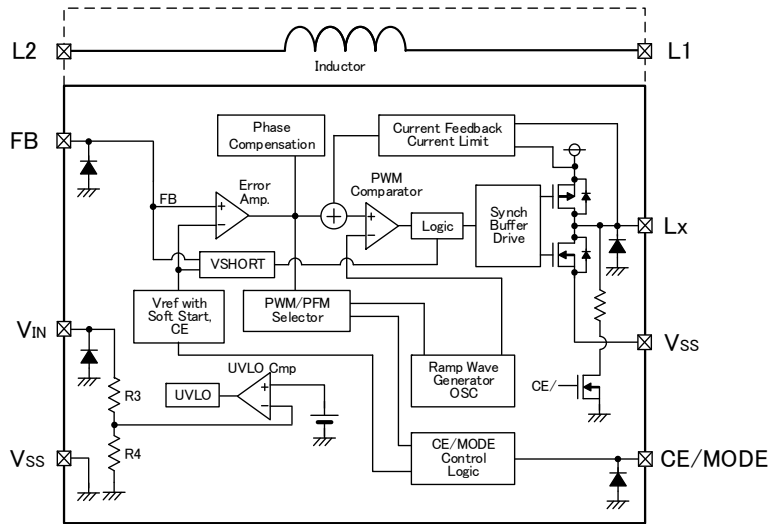


■ TYPICAL PERFORMANCE CHARACTERISTICS



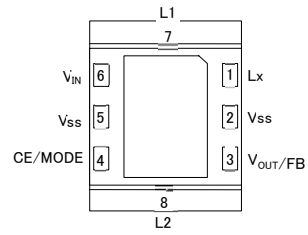
■ BLOCK DIAGRAM

3) MYRGP-x-RF series



NOTE: The MYRGP-W offers a fixed PWM control, a signal from CE/MODE Control Logic to PWM/PFM Selector is fixed to "L" level inside. The MYRGP-B control scheme is PWM/PFM automatic switching, a signal from CE/MODE Control Logic to PWM/PFM Selector is fixed to "H" level inside. The diodes placed inside are ESD protection diodes and parasitic diodes.

■ PIN CONFIGURATION



(BOTTOM VIEW)

- * It should be connected the Vss pin (No. 2 and 5) to the GND pin.
- * If the dissipation pad needs to be connected to other pins, it should be connected to the GND pin.
- * Please refer to pattern layout page for the connecting to PCB.

■ PIN ASSIGNMENT

PIN NUMBER	PIN NAME	FUNCTIONS
1	L _x	Switching Output
2,5	V _{SS}	Ground
3	FB	Output Voltage Sense Pin
4	CE / MODE	Chip Enable & Mode Switch
6	V _{IN}	Power Input
7	L1	Inductor Electrodes
8	L2	

■ FUNCTION

CE/MODE	OPERATIONAL STATES	
	MYRGP-W	MYRGP-B
H Level ^(*1)	Synchronous PWM Fixed Control	Synchronous PWM/PFM Automatic Switching
L Level ^(*2)	Stand-by	Stand-by

※series CE/MODE pin voltage level range

^(*1)H Level : $0.65V \leq H \text{ Level} \leq 6V$ (MYRGP-W/B)

^(*2)L Level : $0V \leq L \text{ Level} \leq 0.25V$

■ ABSOLUTE MAXIMUM RATINGS

PARAMETER	SYMBOL	RATINGS	UNITS
V _{IN} Pin Voltage	V _{IN}	-0.3 ~ 6.5	V
L _x Pin Voltage	V _{LX}	-0.3 ~ V _{IN} + 0.3	V
V _{FB} Pin Voltage	V _{FB}	-0.3 ~ 6.5	V
CE/MODE Pin Voltage	V _{CE}	-0.3 ~ 6.5	V
L _x Pin Current	I _{LX}	±1500	mA
Power Dissipation(Ta=25°C)	P _d	1000 (40mm x 40mm Standard board) ^(*1)	mW
Operating Ambient Temperature	T _{opr}	-40 ~ 85	°C
Storage Temperature	T _{stg}	-40 ~ 125	°C

^(*1) The power dissipation figure shown is PCB mounted and is for reference only.

The mounting condition is please refer to PACKAGING INFORMATION.

ELECTRICAL CHARACTERISTICS (Continued)

●MYRGP-x-RF

Ta=25°C

PARAMETER	SYMBOL	CONDITIONS	MIN.	TYP.	MAX.	UNITS	CIRCUIT
FB Voltage	V_{FB}	$V_{IN}=V_{CE}=5.0V$, V_{FB} voltage which Decrease V_{FB} from 0.9V, Lx becomes “H” (*10) level	0.784	0.800	0.816	V	③
Operating Voltage Range	V_{IN}		1.8	-	6.0	V	⑪
Maximum Output Current	I_{OUTMAX}	$V_{IN}=V_{OUT(T)}+2.0V$, $V_{CE}=1.0V$ When connected to external components (*8)	600	-	-	mA	⑪
UVLO Voltage	V_{UVLO}	$V_{CE}=V_{IN}$, $V_{FB}=0.4V$, Voltage which Lx pin holding “L” level (*1, *10)	1.00	1.40	1.78	V	③
Supply Current (MYRGP-W)	I_{DD}	$V_{IN}=V_{CE}=5.0V$, $V_{FB}=0.88V$	-	46	65	μA	②
Supply Current (MYRGP-B)			-	21	35		
Stand-by Current	I_{STB}	$V_{IN}=5.0V$, $V_{CE}=0V$, $V_{FB}=0.88V$	-	0	1.0	μA	②
Oscillation Frequency	f_{OSC}	When connected to external components, $V_{IN}=3.2V$, $V_{CE}=1.0V$, $I_{OUT}=100mA$	2550	3000	3450	kHz	⑪
PFM Switching Current (*11)	I_{PFM}	When connected to external components, $V_{IN}=3.2V$, $V_{CE}=V_{IN}$, $I_{OUT}=1mA$	170	220	270	mA	⑫
PFM Duty Limit (*11)	DTY_{LIMIT_PFM}	$V_{CE}=V_{IN}=2.2V$, $I_{OUT}=1mA$	-	200	300	%	⑪
Maximum Duty Cycle	MAXDTY	$V_{IN}=V_{CE}=5.0V$, $V_{FB}=0.72V$	100	-	-	%	③
Minimum Duty Cycle	MINDTY	$V_{IN}=V_{CE}=5.0V$, $V_{FB}=0.88V$	-	-	0	%	③
Efficiency(*2)	EFFI	When connected to external components, $V_{CE}=V_{IN}=2.4V$, $I_{OUT}=100mA$	-	86	-	%	⑪
Lx SW “H” ON Resistance 1	R_{LxH}	$V_{IN}=V_{CE}=5.0V$, $V_{FB}=0.72V$, $I_{Lx}=100mA$ (*3)	-	0.35	0.55	Ω	④
Lx SW “H” ON Resistance 2	R_{LxH}	$V_{IN}=V_{CE}=3.6V$, $V_{FB}=0.72V$, $I_{Lx}=100mA$ (*3)	-	0.42	0.67	Ω	④
Lx SW “L” ON Resistance 1	R_{LxL}	$V_{IN}=V_{CE}=5.0V$ (*4)	-	0.45	0.65	Ω	-
Lx SW “L” ON Resistance 2	R_{LxL}	$V_{IN}=V_{CE}=3.6V$ (*4)	-	0.52	0.77	Ω	-
Lx SW “H” Leakage Current (*5)	I_{LEAKH}	$V_{IN}=V_{FB}=5.0V$, $V_{CE}=0V$, $Lx=0V$	-	0.01	1.0	μA	⑨
Current Limit (*9)	I_{LIM}	$V_{IN}=V_{CE}=5.0V$, $V_{FB}=0.72V$ (*7)	900	1050	1350	mA	⑥
Output Voltage Temperature Characteristics	$\frac{\Delta V_{OUT}}{(V_{OUT} \cdot \Delta T_{opr})}$	$I_{OUT}=30mA$ $-40^{\circ}C \leq T_{opr} \leq 85^{\circ}C$	-	± 100	-	ppm/°C	⑪
CE “H” Voltage	V_{CEH}	$V_{FB}=0.72V$, Applied voltage to V_{CE} , Voltage changes Lx to “H” level (*10)	0.65	-	6.0	V	③
CE “L” Voltage	V_{CEL}	$V_{FB}=0.72V$, Applied voltage to V_{CE} , Voltage changes Lx to “L” level (*10)	V_{SS}	-	0.25	V	③
CE “H” Current	I_{CEH}	$V_{IN}=V_{CE}=5.0V$, $V_{FB}=0.72V$	-0.1	0.0	0.1	μA	⑤
CE “L” Current	I_{CEL}	$V_{IN}=5.0V$, $V_{CE}=0V$, $V_{FB}=0.72V$	-0.1	0.0	0.1	μA	⑤
Soft Start Time	t_{SS}	When connected to external components, $V_{CE}=0V \rightarrow V_{IN}$, $I_{OUT}=1mA$	-	0.25	0.40	ms	⑪
Latch Time	t_{LAT}	$V_{IN}=V_{CE}=5.0V$, $V_{FB}=0.64$ Short Lx at 1 Ω resistance (*6)	1.0	-	20	ms	⑦
Short Protection Threshold Voltage	V_{SHORT}	$V_{IN}=V_{CE}=5.0V$, V_{FB} voltage which Decrease V_{FB} from 0.4V, Lx becomes “L” (*10) level within 1ms	0.15	0.20	0.25	V	⑦
C_L Discharge	R_{DCHG}	$V_{IN}=5.0V$ $Lx=5.0V$ $V_{CE}=0V$, $V_{FB}=open$	200	300	450	Ω	⑧
Inductance Value	L	Test frequency=1MHz	-	1.5	-	μH	-
Allowed Inductor Current	I_{DC}	$\Delta T=40^{\circ}C$	-	1000	-	mA	-

Test conditions: $V_{OUT}=1.2V$ when the external components are connected. Unless otherwise stated, $V_{IN}=5.0V$, applied voltage sequence is $V_{FB} \rightarrow V_{IN} \rightarrow V_{CE}$

NOTE:

(*1) Including hysteresis operating voltage range.

(*2) $EFFI = \{ (\text{output voltage} \times \text{output current}) / (\text{input voltage} \times \text{input current}) \} \times 100$

(*3) ON resistance (Ω) = $(V_{IN} - Lx \text{ pin measurement voltage}) / 100mA$

(*4) Design value

(*5) When temperature is high, a current of approximately 10 μA (maximum) may leak.

(*6) Time until it short-circuits V_{FB} with GND via 1 Ω of resistor from an operational state and is set to $Lx=0V$ from current limit pulse generating.

(*7) When V_{IN} is less than 2.4V, limit current may not be reached because voltage falls caused by ON resistance.

(*8) When the difference between the input and the output is small, some cycles may be skipped completely before current maximizes.

If current is further pulled from this state, output voltage will decrease because of P-ch driver ON resistance.

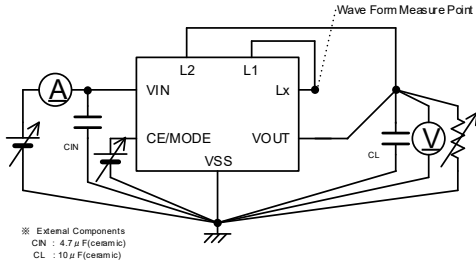
(*9) Current limit denotes the level of detection at peak of coil current.

(*10) “H” = $V_{IN} - V_{IN} - 1.2V$, “L” = $+0.1V \sim -0.1V$

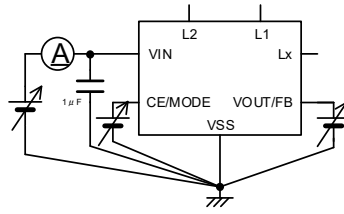
(*11) I_{PFM} and DTY_{LIMIT_PFM} are defined only for the MYRGP-B series which have PFM control function. (Not for the MYRGP-W series)

TEST CIRCUITS

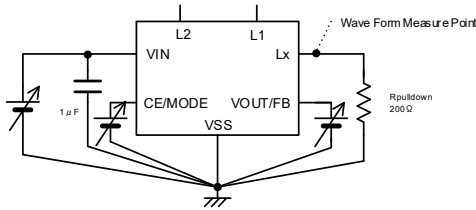
< Circuit No.1 >



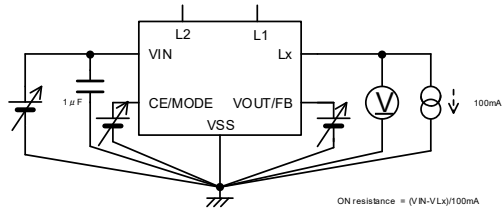
< Circuit No.2 >



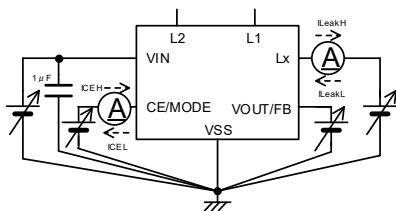
< Circuit No.3 >



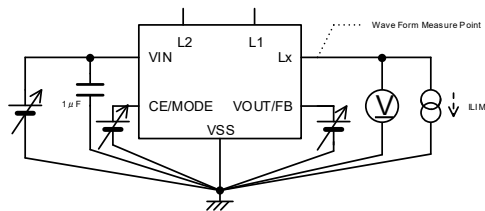
< Circuit No.4 >



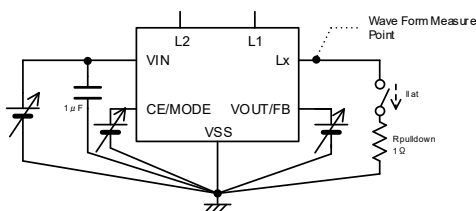
< Circuit No.5 >



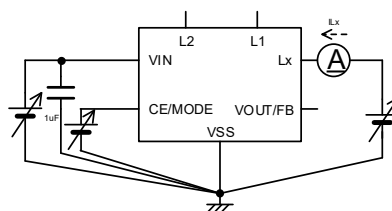
< Circuit No.6 >



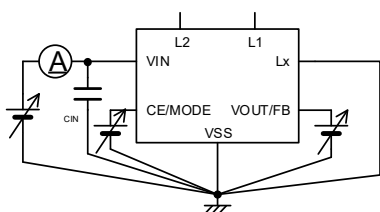
< Circuit No.7 >



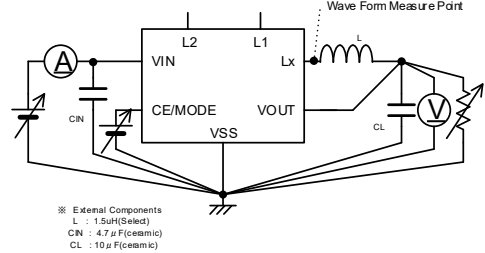
< Circuit No.8 >



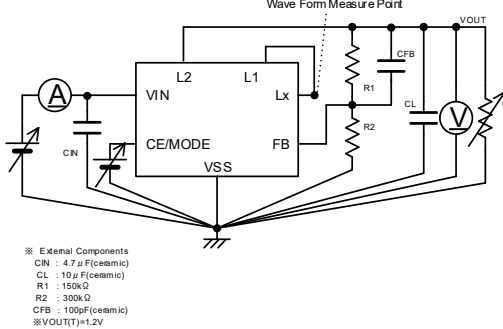
< Circuit No.9 >



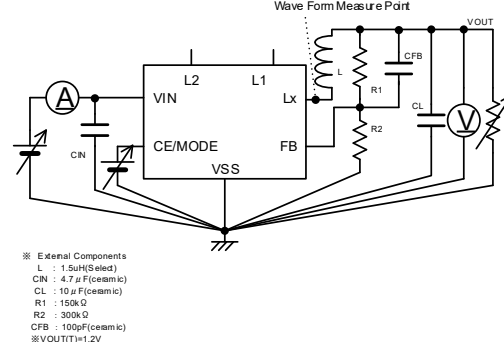
< Circuit No.10 >



< Circuit No.11 >

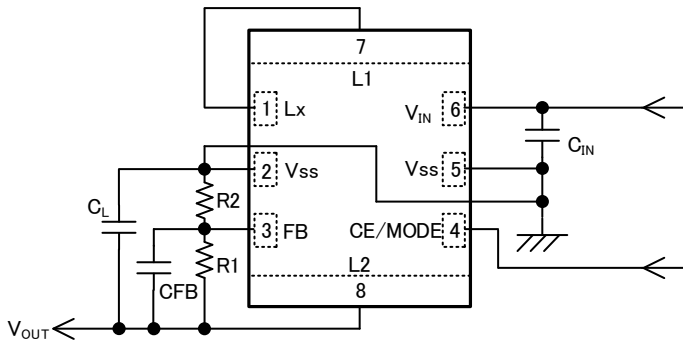


< Circuit No.12 >



■ TYPICAL APPLICATION CIRCUIT

● MYRGP-x-RF Series



● External Components

C_{IN} : 10V/4.7μF(Ceramic)

C_L : 6.3V/10μF(Ceramic)

R1 : 300kΩ

R2 : 240kΩ

CFB : 150pF

NOTE

The Inductor can be used only for this DC/DC converter.

Please do not use this inductor for the other reasons.

Please use B, X5R, and X7R grades in temperature characteristics for C_{IN} and C_L capacitors.

These grade ceramic capacitors minimize capacitance-loss as a function of voltage stress.

< MYRGP-x-RF output voltage setting >

The output voltage can be set by adding external dividing resistors. The output voltage is determined by R1 and R2 in the equation below. The sum of R1 and R2 is normally kept 1MΩ or less. The output voltage range can be set from 0.9V to 4.0V based on the 0.8V ±2.0% reference voltage source.

Note that when the input voltage (V_{IN}) is less than or equal to the set output voltage, an output voltage (V_{OUT}) higher than the input voltage (V_{IN}) cannot be output.

$$V_{OUT} = 0.8 \times (R1 + R2) / R2$$

Adjust the value of the phase compensation speedup capacitor CFB so that f_{zfb} = 1 / (2 × π × CFB × R1) is 10 kHz or less. It is optimum to adjust to a value from 1kHz to 20kHz based on the components used and the board layout.

[Calculation example]

When R1=470kΩ, R2=150kΩ,

$$V_{OUT} = 0.8 \times (470k + 150k) / 150k = 3.3V$$

● V_{OUT} setting example

V _{OUT} (V)	R1(kΩ)	R2(kΩ)	CFB(pF)
0.9	100	820	150
1.2	150	300	100
1.5	130	150	220
1.8	300	240	150
2.5	510	240	100
3.0	330	120	150
3.3	470	150	100
4.0	120	30	470

■ OPERATIONAL DESCRIPTION

The MYRGP-W/B series consists of a reference voltage source, ramp wave circuit, error amplifier, PWM comparator, phase compensation circuit, output voltage adjustment resistors, P-channel MOSFET driver transistor, N-channel MOSFET switching transistor for the synchronous switch, current limiter circuit, UVLO circuit with control IC, and an inductor. (See the block diagram above.)

Using the error amplifier, the voltage of the internal voltage reference source is compared with the feedback voltage from the V_{OUT} pin through split resistors, R1 and R2. Phase compensation is performed on the resulting error amplifier output, to input a signal to the PWM comparator to determine the turn-on time during PWM operation. The PWM comparator compares, in terms of voltage level, the signal from the error amplifier with the ramp wave from the ramp wave circuit, and delivers the resulting output to the buffer driver circuit to cause the Lx pin to output a switching duty cycle. This process is continuously performed to ensure stable output voltage.

The current feedback circuit monitors the P-channel MOS driver transistor current for each switching operation, and modulates the error amplifier output signal to provide multiple feedback signals. This enables a stable feedback loop even when a low ESR capacitor such as a ceramic capacitor is used ensuring stable output voltage.

<Reference Voltage Source>

The reference voltage source provides the reference voltage to ensure stable output voltage of the DC/DC converter.

<Ramp Wave Circuit>

The ramp wave circuit determines switching frequency. The frequency is fixed internally 3.0MHz. Clock pulses generated in this circuit are used to produce ramp waveforms needed for PWM operation, and to synchronize all the internal circuits.

<Error Amplifier>

The error amplifier is designed to monitor output voltage. The amplifier compares the reference voltage with the feedback voltage divided by the internal split resistors, R1 and R2. When a feedback voltage is lower than the reference voltage, the output voltage of the error amplifier is increased. The gain and frequency characteristics of the error amplifier output are fixed internally to deliver an optimized signal to the mixer.

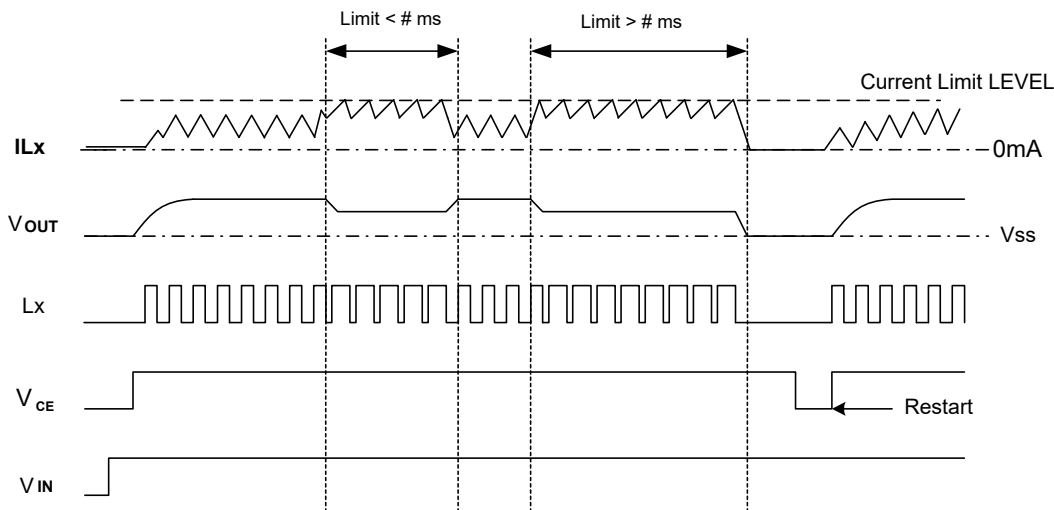
<Current Limit>

The current limiter circuit of the MYRGP-W/B series monitors the current flowing through the P-channel MOS driver transistor connected to the Lx pin, and features a combination of the current limit mode and the operation suspension mode.

- ① When the driver current is greater than a specific level, the current limit function operates to turn off the pulses from the Lx pin at any given timing.
- ② When the driver transistor is turned off, the limiter circuit is then released from the current limit detection state.
- ③ At the next pulse, the driver transistor is turned on. However, the transistor is immediately turned off in the case of an over current state.
- ④ When the over current state is eliminated, the IC resumes its normal operation.

The IC waits for the over current state to end by repeating the steps ① through ③. If an over current state continues for a few milliseconds and the above three steps are repeatedly performed, the IC performs the function of latching the OFF state of the driver transistor, and goes into operation suspension state. Once the IC is in suspension state, operations can be resumed by either turning the IC off via the CE/MODE pin, or by restoring power to the V_{IN} pin. The suspension state does not mean a complete shutdown, but a state in which pulse output is suspended; therefore, the internal circuitry remains in operation. The current limit of the MYRGP-W/B series can be set at 1050mA at typical.

Depending on the state of the PC Board, latch time may become longer and latch operation may not work. In order to avoid the effect of noise, an input capacitor is placed as close to the IC as possible.



■ OPERATIONAL DESCRIPTION (Continued)

<Short-Circuit Protection>

The short-circuit protection circuit monitors the internal R1 and R2 divider voltage from the V_{OUT} pin (refer to FB point in the block diagram shown in the previous page). In case where output is accidentally shorted to the Ground and when the FB point voltage decreases less than half of the reference voltage (V_{ref}) and a current more than the I_{LIM} flows to the driver transistor, the short-circuit protection quickly operates to turn off and to latch the driver transistor. For the G/F series, it does not matter how much the current limit, once the FB voltage become less than the quarter of reference voltage (V_{REF}), the short-circuit protection operates to latch the Pch MOS driver transistor

In the latch state, the operation can be resumed by either turning the IC off and on via the CE/MODE pin, or by restoring power supply to the V_{IN} pin.

When sharp load transient happens, a voltage drop at the V_{OUT} is propagated to the FB point through C_{FB}, as a result, short circuit protection may operate in the voltage higher than 1/2 V_{OUT} voltage.

<UVLO Circuit>

When the V_{IN} pin voltage becomes 1.4V or lower, the P-channel output driver transistor is forced OFF to prevent false pulse output caused by unstable operation of the internal circuitry. When the V_{IN} pin voltage becomes 1.8V or higher, switching operation takes place. By releasing the UVLO function, the IC performs the soft start function to initiate output startup operation. The soft start function operates even when the V_{IN} pin voltage falls momentarily below the UVLO operating voltage. The UVLO circuit does not cause a complete shutdown of the IC, but causes pulse output to be suspended; therefore, the internal circuitry remains in operation.

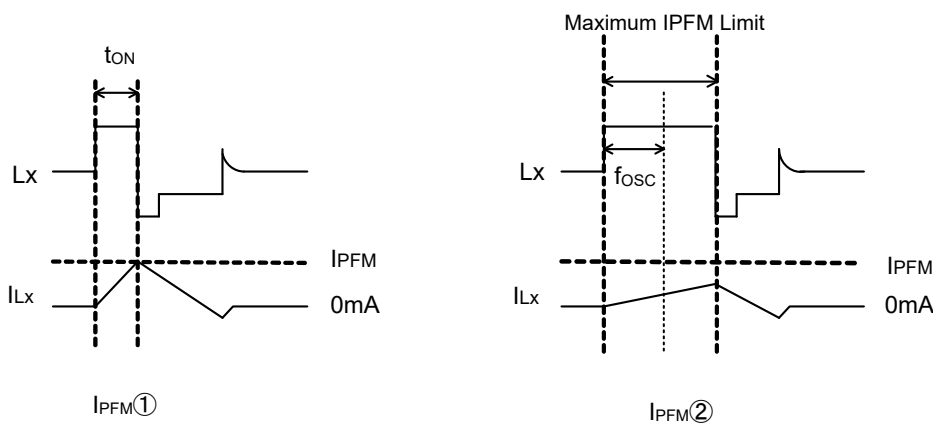
<PFM Switch Current>

In PFM control operation, until coil current reaches to a specified level (I_{PFM}), the IC keeps the P-ch MOSFET on. In this case, on-time (t_{ON}) that the P-ch MOSFET is kept on can be given by the following formula.

$$t_{ON} = L \times I_{PFM} / (V_{IN} - V_{OUT}) \rightarrow I_{PFM}①$$

<PFM Duty Limit>

In the PFM control operation, the PFM Duty Limit (DTY_{LIMIT_PFM}) is set to 200% (TYP.). Therefore, under the condition that the duty increases (e.g. the condition that the step-down ratio is small), it's possible for P-ch MOSFET to be turned off even when coil current doesn't reach to I_{PFM}. → I_{PFM}②



OPERATIONAL DESCRIPTION (Continued)

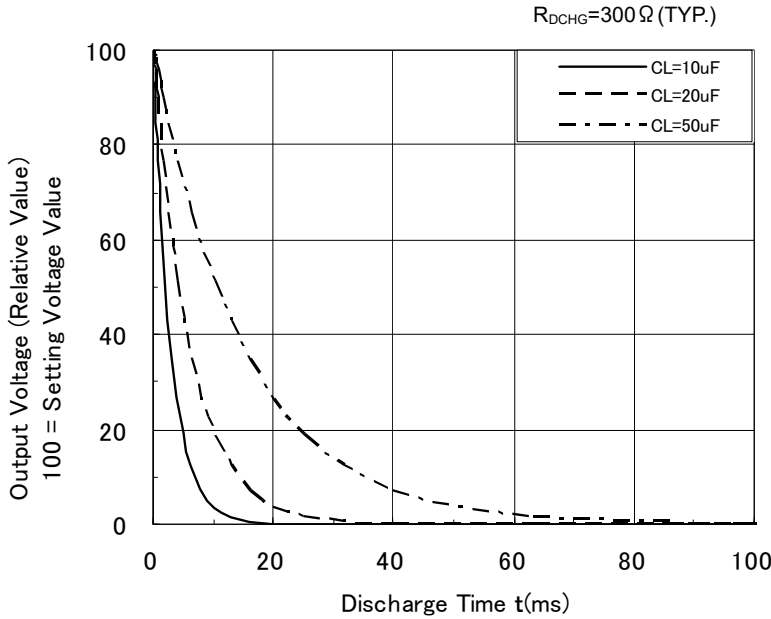
<CL High Speed Discharge>

The MYRGP-x-RF series can quickly discharge the electric charge at the output capacitor (CL) when a low signal to the CE pin which enables a whole IC circuit put into OFF state, is inputted via the N-channel transistor located between the Lx pin and the VSS pin. When the IC is disabled, electric charge at the output capacitor (CL) is quickly discharged so that it may avoid application malfunction. Discharge time of the output capacitor (CL) is set by the CL auto-discharge resistance (R) and the output capacitor (CL). By setting time constant of a CL auto-discharge resistance value [R] and an output capacitor value (CL) as τ ($\tau = C \times R$), discharge time of the output voltage after discharge via the N channel transistor is calculated by the following formula.

$$V = V_{OUT(T)} \times e^{-t/\tau} \text{ or } t = \tau \ln (V_{OUT(T)} / V)$$

V : Output voltage after discharge
 V_{OUT(T)} : Output voltage
 t: Discharge time,
 τ : C x R
 C= Capacitance of Output capacitor (CL)
 R= CL auto-discharge resistance

Output Voltage Discharge Characteristics

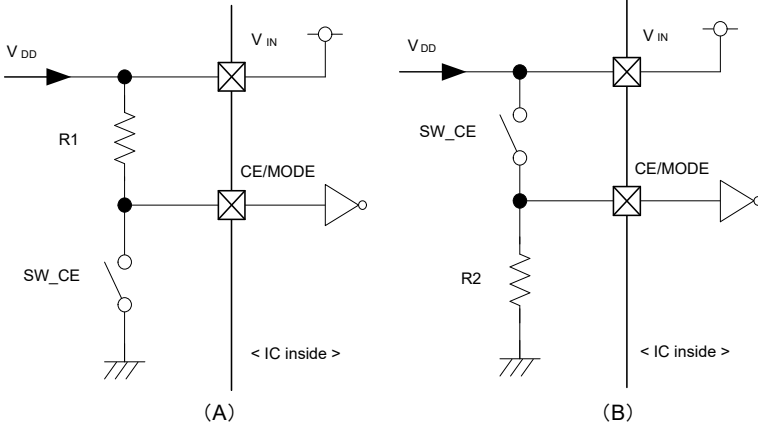


OPERATIONAL DESCRIPTION (Continued)

<CE/MODE Pin Function>

The operation of the MYRGP-W/B series will enter into the shutdown mode when a low level signal is input to the CE/MODE pin. During the shutdown mode, the current consumption of the IC becomes $0\mu A$ (TYP.), with a state of high impedance at the Lx pin and VOUT pin. The IC starts its operation by inputting a high level signal to the CE/MODE pin. The input to the CE/MODE pin is a CMOS input and the sink current is $0\mu A$ (TYP.).

●MYRGP-W/B series - Examples of how to use CE/MODE pin



(A)

SW_CE	SELECTED STATUS
ON	Stand-by
OFF	Operation

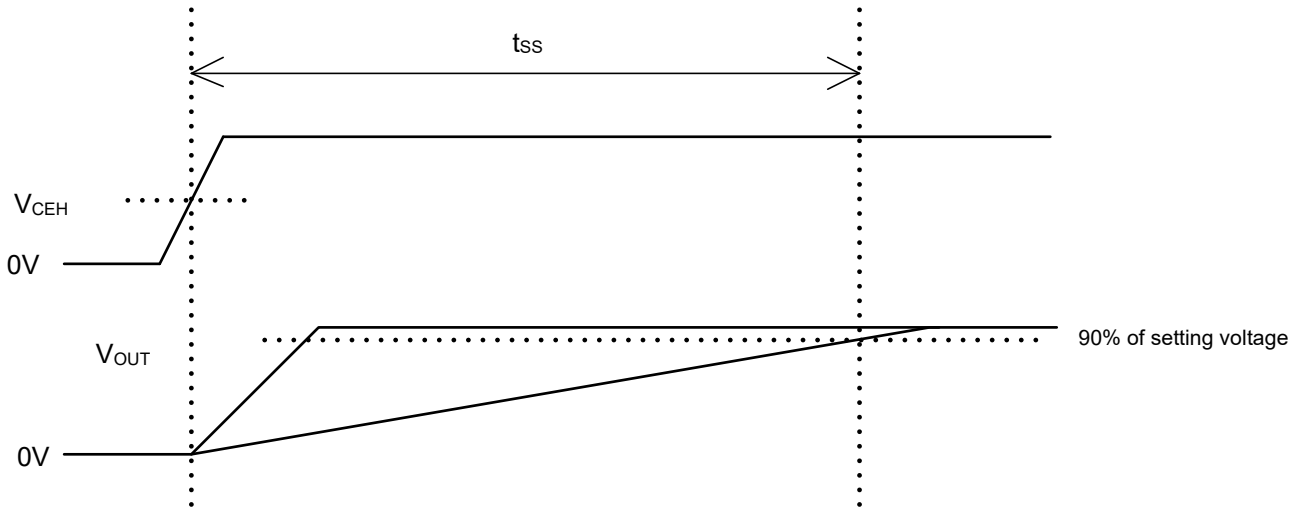
(B)

SW_CE	SELECTED STATUS
ON	Operation
OFF	Stand-by

OPERATIONAL DESCRIPTION (Continued)

<Soft Start>

The MYRGP-x-RF series provide 0.32ms (TYP) however, when V_{OUT} is less than 1.8V, provide 0.25ms (TYP.). Soft start time is defined as the time to reach 90% of the output nominal voltage when the CE pin is turned on.



FUNCTION CHART

CE/MODE VOLTAGE LEVEL	OPERATIONAL STATES	
	MYRGP-W	MYRGP-B
H Level (*1)	Synchronous PWM Fixed Control	Synchronous PWM/PFM Automatic Switching
L Level (*2)	Stand-by	Stand-by

Note on CE/MODE pin voltage level range

(*1) H level: $0.65V \leq H \text{ level} \leq 6V$ (for MYRGP-W/B)

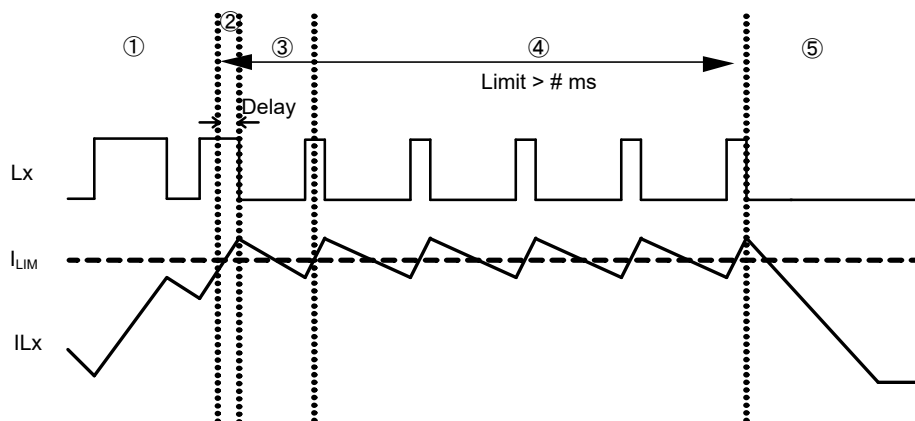
(*2) L level: $0V \leq L \text{ level} \leq 0.25V$

■ NOTE ON USE

1. The MYRGP-W/B series is designed for use with ceramic output capacitors. If, however, the potential difference is too large between the input voltage and the output voltage, a ceramic capacitor may fail to absorb the resulting high switching energy and oscillation could occur on the output. If the input-output potential difference is large, connect an electrolytic capacitor in parallel to compensate for insufficient capacitance.
 2. Spike noise and ripple voltage arise in a switching regulator as with a DC/DC converter. These are greatly influenced by external component selection, such as the coil inductance, capacitance values, and board layout of external components. Once the design has been completed, verification with actual components should be done.
 3. Depending on the input-output voltage differential, or load current, some pulses may be skipped, and the ripple voltage may increase.
 4. When the difference between V_{IN} and V_{OUT} is large in PWM control, very narrow pulses will be outputted, and there is the possibility that some cycles may be skipped completely.
 5. When the difference between V_{IN} and V_{OUT} is small, and the load current is heavy, very wide pulses will be outputted and there is the possibility that some cycles may be skipped completely.
 6. With the IC, the peak current of the coil is controlled by the current limit circuit. Since the peak current increases when dropout voltage or load current is high, current limit starts operation, and this can lead to instability. When peak current becomes high, please adjust the coil inductance value and fully check the circuit operation. In addition, please calculate the peak current according to the following formula:

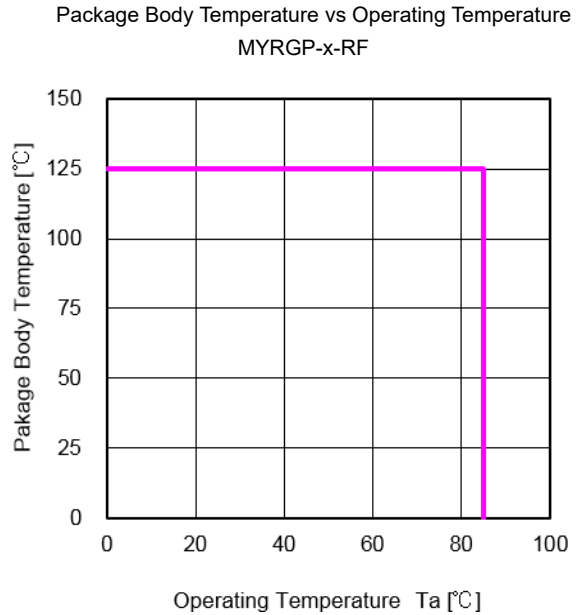
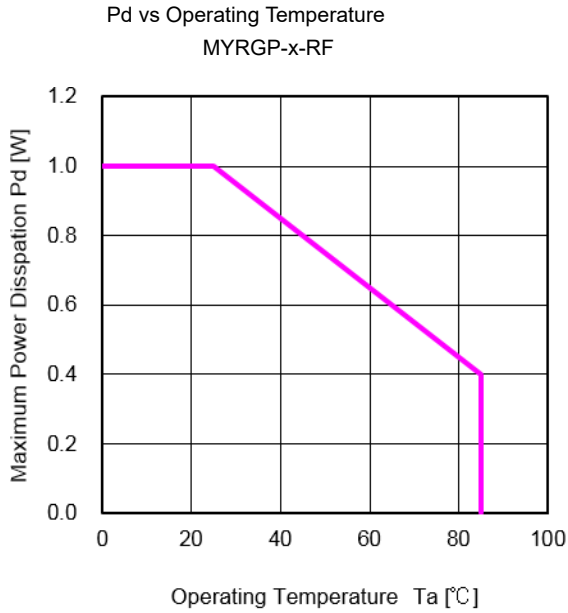
$$I_{pk} = (V_{IN} - V_{OUT}) \times \text{OnDuty} / (2 \times L \times f_{osc}) + I_{OUT}$$

L: Coil Inductance Value
 f_{osc} : Oscillation Frequency
 7. When the peak current which exceeds limit current flows within the specified time, the built-in P-ch driver transistor turns off. During the time until it detects limit current and before the built-in transistor can be turned off, the current for limit current flows; therefore, care must be taken when selecting the rating for the external components such as a coil.
 8. When V_{IN} is less than 2.4V, limit current may not be reached because voltage falls caused by ON resistance.
 9. Depending on the state of the PC Board, latch time may become longer and latch operation may not work. In order to avoid the effect of noise, the board should be laid out so that input capacitors are placed as close to the IC as possible.
 10. Use of the IC at voltages below the recommended voltage range may lead to instability.
 11. This IC should be used within the stated absolute maximum ratings in order to prevent damage to the device.
 12. When the IC is used in high temperature, output voltage may increase up to input voltage level at no load because of the leak current of the driver transistor.
 13. The current limit is set to 1350mA (MAX.) at typical. However, the current of 1350mA or more may flow. In case that the current limit functions while the V_{OUT} pin is shorted to the GND pin, when P-ch MOSFET is ON, the potential difference for input voltage will occur at both ends of a coil. For this, the time rate of coil current becomes large. By contrast, when N-ch MOSFET is ON, there is almost no potential difference at both ends of the coil since the V_{OUT} pin is shorted to the GND pin. Consequently, the time rate of coil current becomes quite small. According to the repetition of this operation, and the delay time of the circuit, coil current will be converged on a certain current value, exceeding the amount of current, which is supposed to be limited originally. Even in this case, however, after the over current state continues for several ms, the circuit will be latched. A coil should be used within the stated absolute maximum rating in order to prevent damage to the device.
- ① Current flows into P-ch MOSFET to reach the current limit (I_{LIM}).
 - ② The current of I_{LIM} or more flows since the delay time of the circuit occurs during from the detection of the current limit to OFF of P-ch MOSFET.
 - ③ Because of no potential difference at both ends of the coil, the time rate of coil current becomes quite small.
 - ④ L_x oscillates very narrow pulses by the current limit for several ms.
 - ⑤ The circuit is latched, stopping its operation.



■ NOTE ON USE (Continued)

- 14. In order to stabilize V_{IN} voltage level and oscillation frequency, we recommend that a by-pass capacitor (C_{IN}) be connected as close as possible to the V_{IN} & V_{SS} pins.
- 15. High step-down ratio and very light load may lead an intermittent oscillation when PWM mode.
- 16. Please use within the power dissipation range below. Please also note that the power dissipation may change by test conditions. The power dissipation figure shown is PCB mounted.
- 17. The proper position of mounting is based on the coil terminal



The power loss of mini DC/DC according to the following formula:

$$\text{power loss} = V_{OUT} \times I_{OUT} \times ((100/\text{EFFI}) - 1) \quad (\text{W})$$

V_{OUT} : Output Voltage (V)

I_{OUT} : Output Current (A)

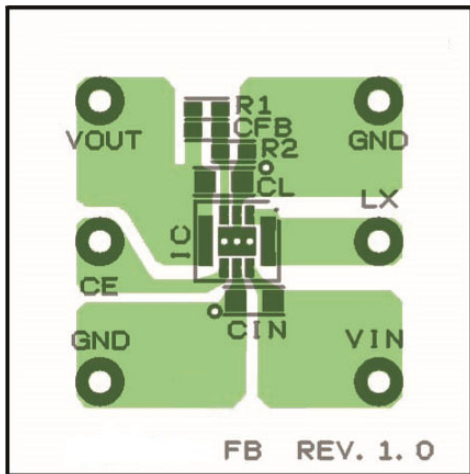
EFFI : Conversion Efficiency (%)

■ NOTE ON USE (Continued)

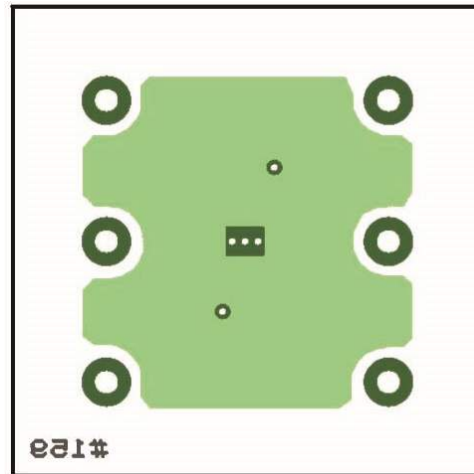
18. Instructions of pattern layouts

- (1) In order to stabilize V_{IN} voltage level, we recommend that a by-pass capacitor (C_{IN}) be connected as close as possible to the V_{IN} (No.6) & V_{SS} (No.5) pins.
- (2) Please mount each external component as close to the IC as possible.
- (3) Wire external components as close to the IC as possible and use thick, short connecting traces to reduce the circuit impedance.
- (4) Make sure that the PCB GND traces are as thick as possible, as variations in ground potential caused by high ground currents at the time of switching may result in instability of the IC.
- (5) This series' internal driver transistors bring on heat because of the output current and ON resistance of driver transistors.
- (6) Please connect Lx (No.1) pin and L1 (No.7) pin by wiring on the PCB.
- (7) Please connect V_{OUT} (No.3) pin and L2 (No.8) pin by wiring on the PCB.

• MYRGP-x-RF



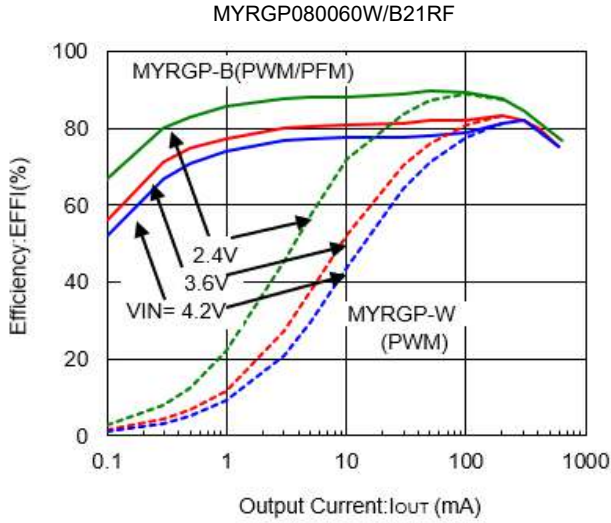
<FRONT>



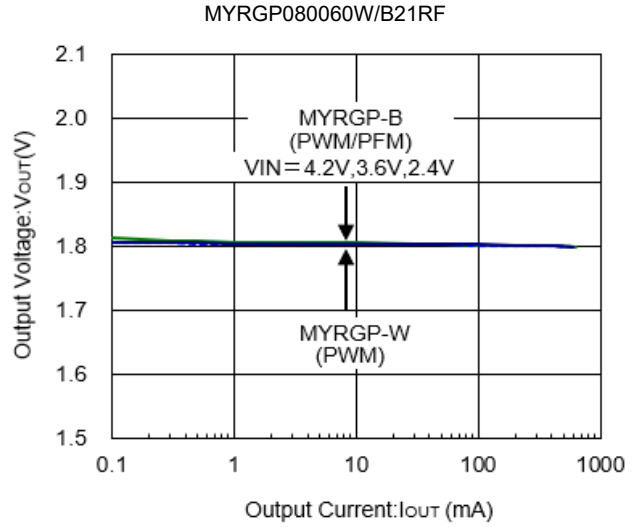
<BACK (Flip Horizontal)>

TYPICAL PERFORMANCE CHARACTERISTICS

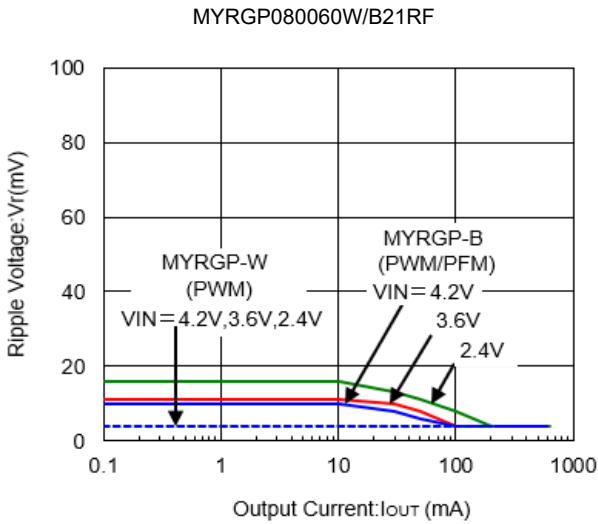
(1) Efficiency vs. Output Current



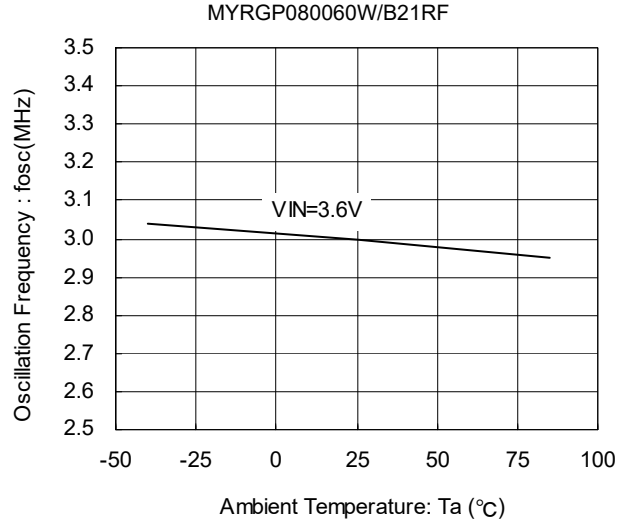
(2) Output Voltage vs. Output Current



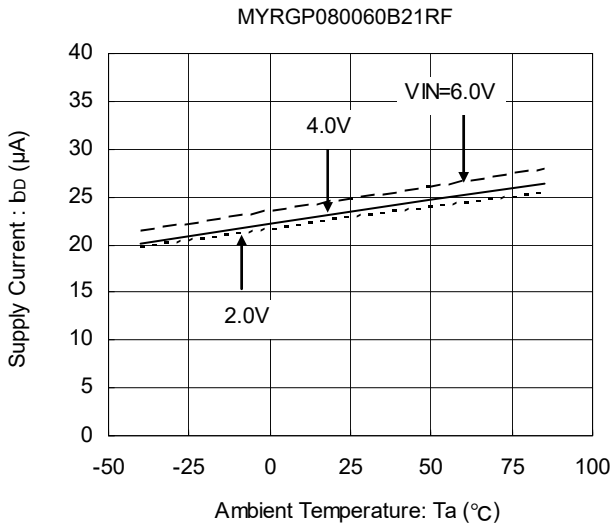
(3) Ripple Voltage vs. Output Current



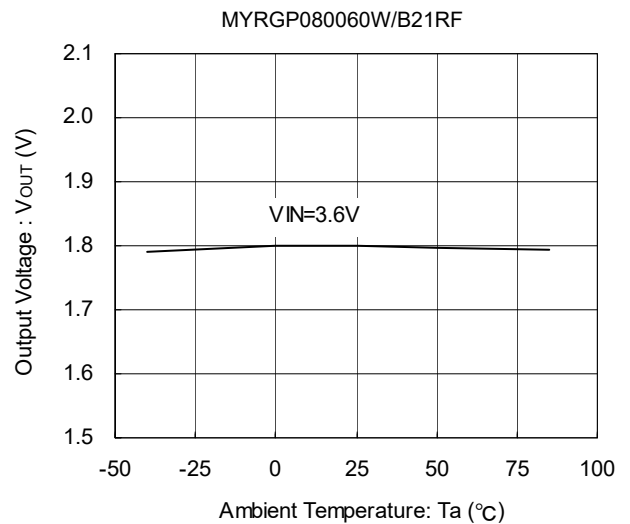
(4) Oscillation Frequency vs. Ambient Temperature



(5) Supply Current vs. Ambient Temperature

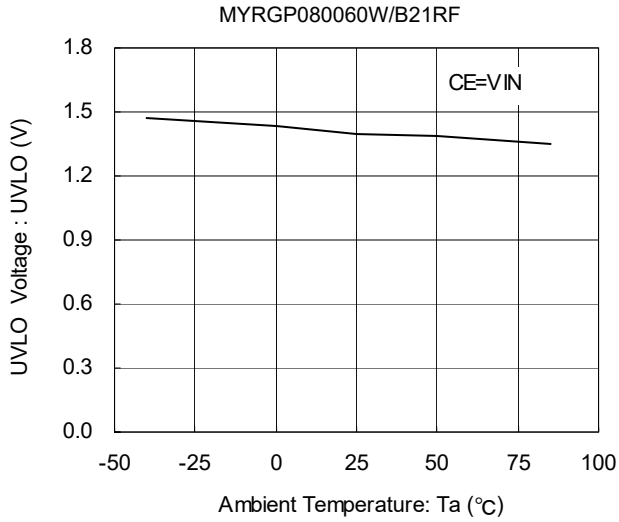


(6) Output Voltage vs. Ambient Temperature

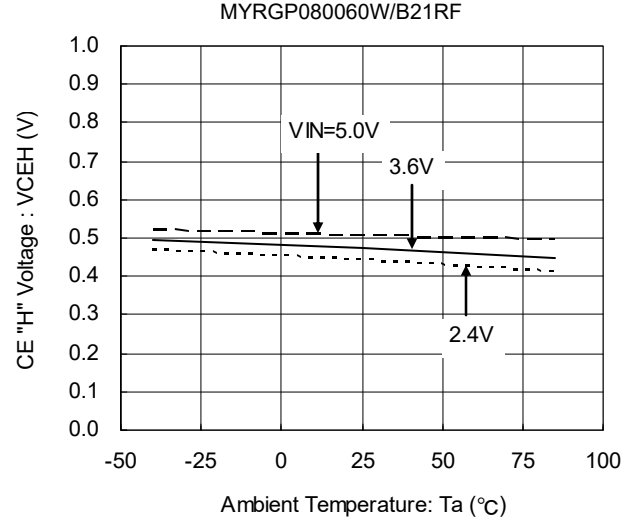


TYPICAL PERFORMANCE CHARACTERISTICS (Continued)

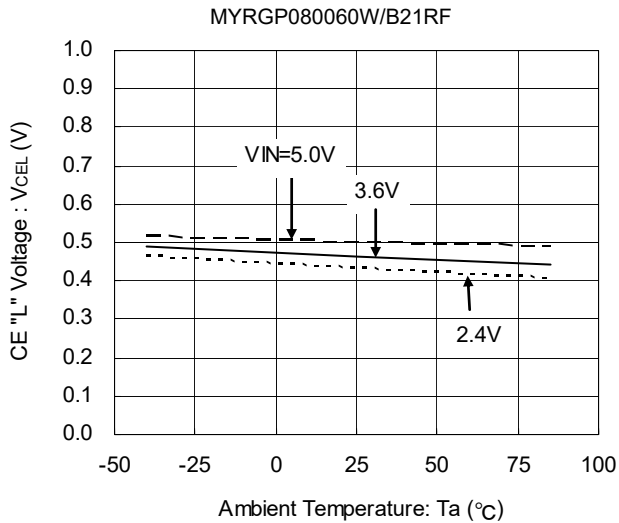
(7) UVLO Voltage vs. Ambient Temperature



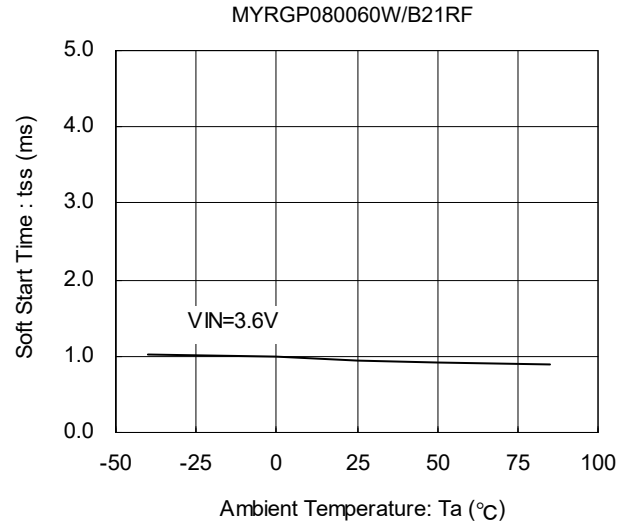
(8) CE "H" Voltage vs. Ambient Temperature



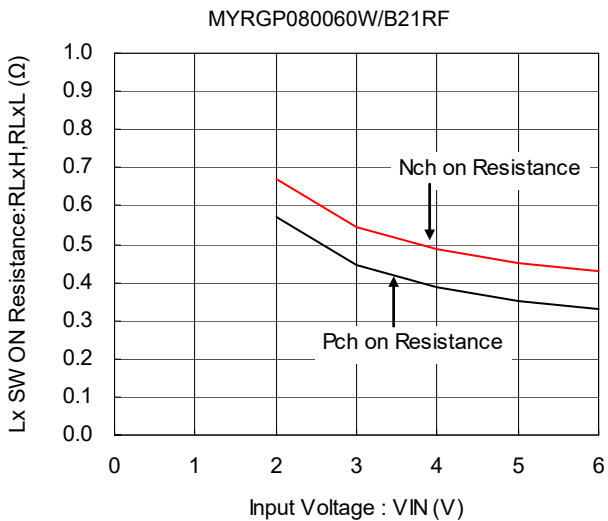
(9) CE "L" Voltage vs. Ambient Temperature



(10) Soft Start Time vs. Ambient Temperature

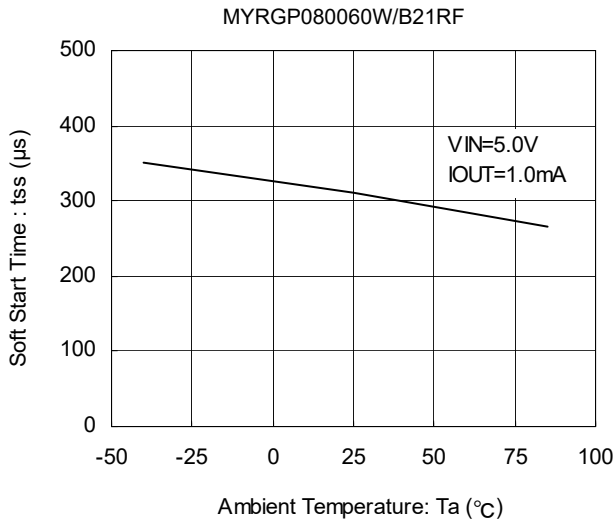


(11) "Pch / Nch" Driver on Resistance vs. Input Voltage

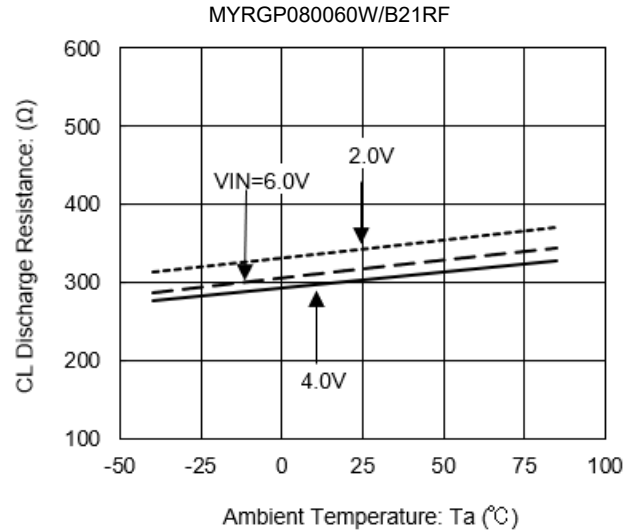


TYPICAL PERFORMANCE CHARACTERISTICS (Continued)

(12) Soft-Start Time vs. Ambient Temperature



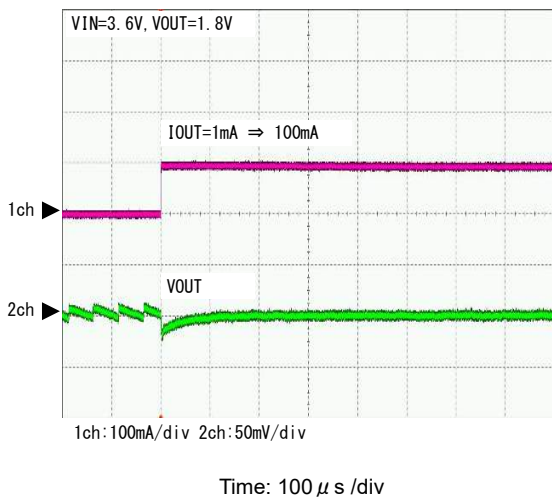
(13) CL Discharge Resistance vs. Ambient Temperature



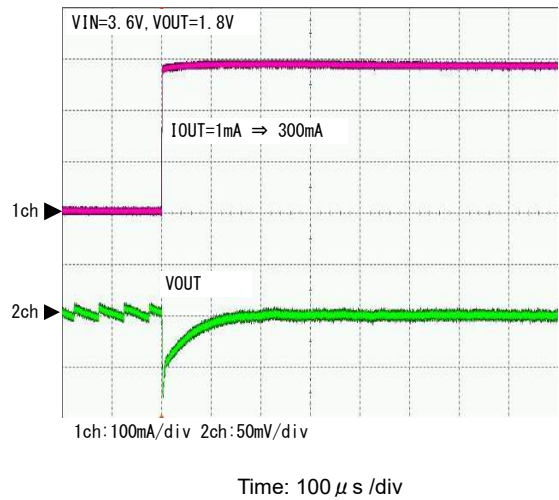
(14) Load Transient Response 1

MODE : PWM/PFM Automatic Switching Control

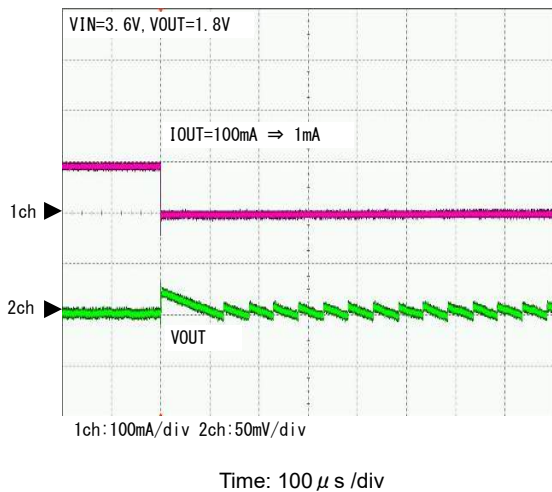
MYRGP080060B21RF



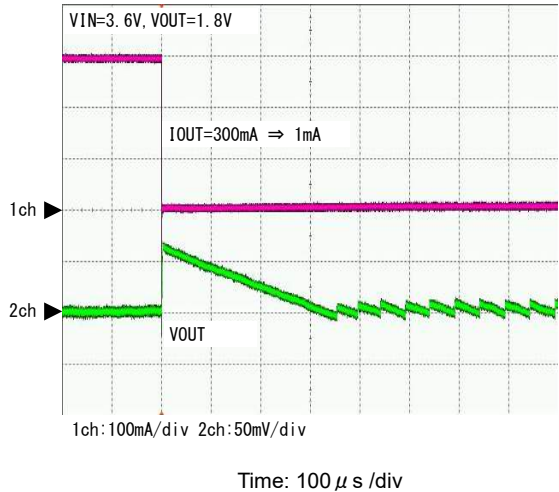
MYRGP080060B21RF



MYRGP080060B21RF



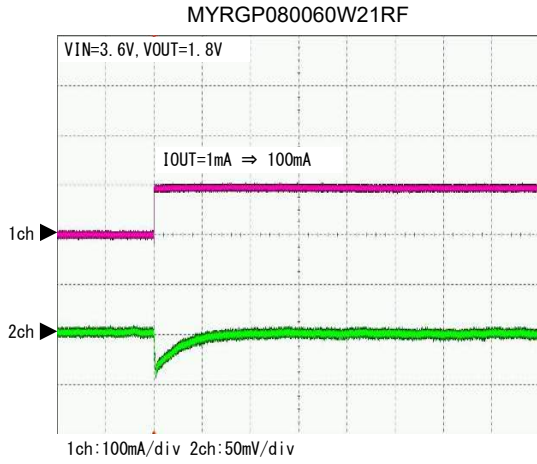
MYRGP080060B21RF



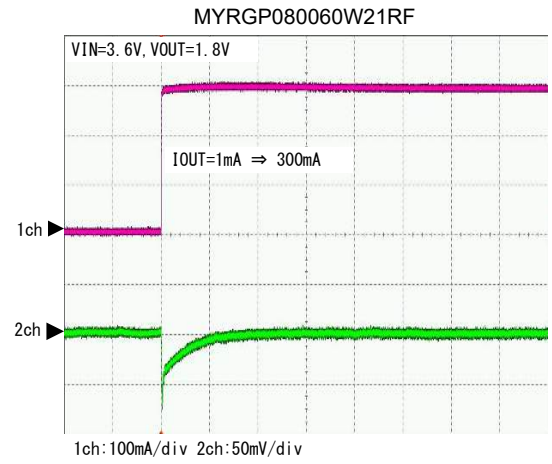
TYPICAL PERFORMANCE CHARACTERISTICS (Continued)

(15) Load Transient Response 2

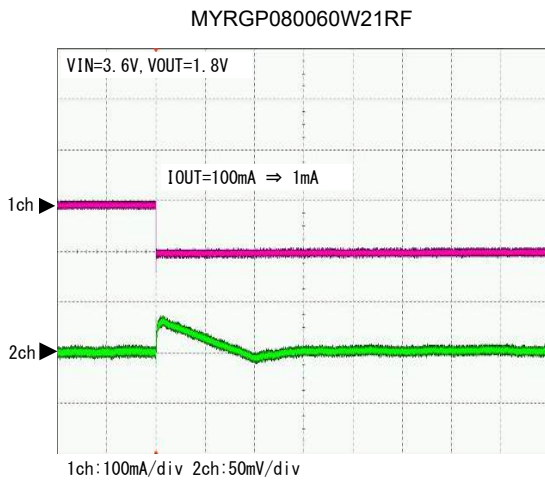
MODE : PWM Control



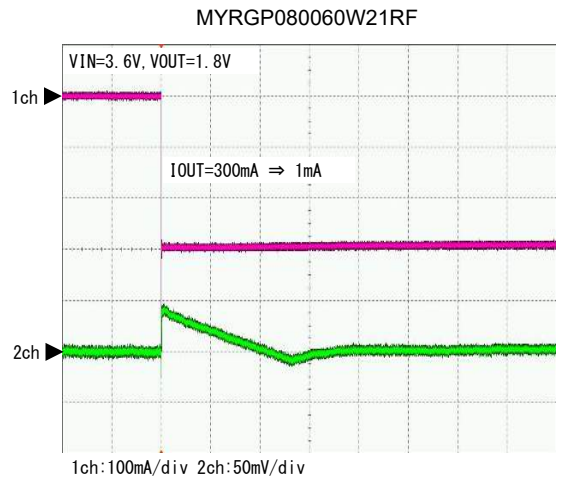
Time: 100 μ s /div



Time: 100 μ s /div



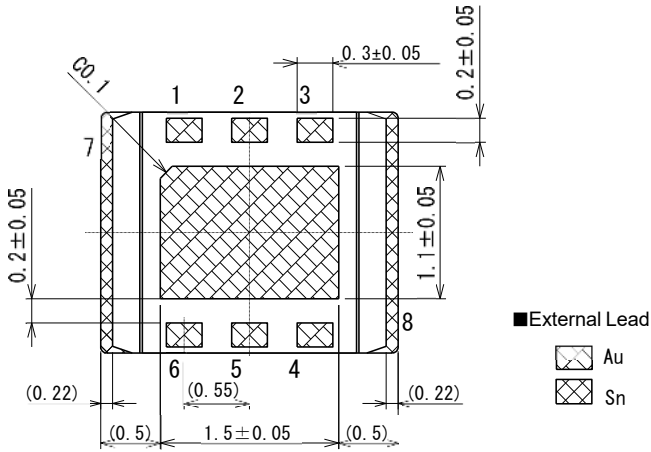
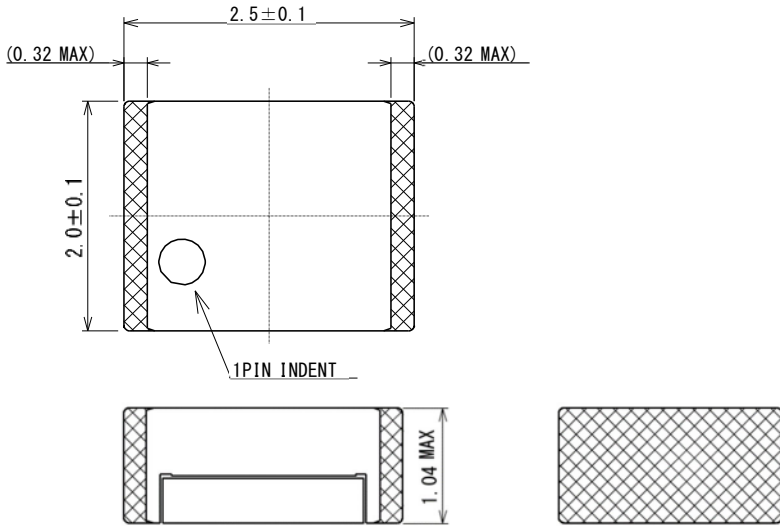
Time: 100 μ s /div



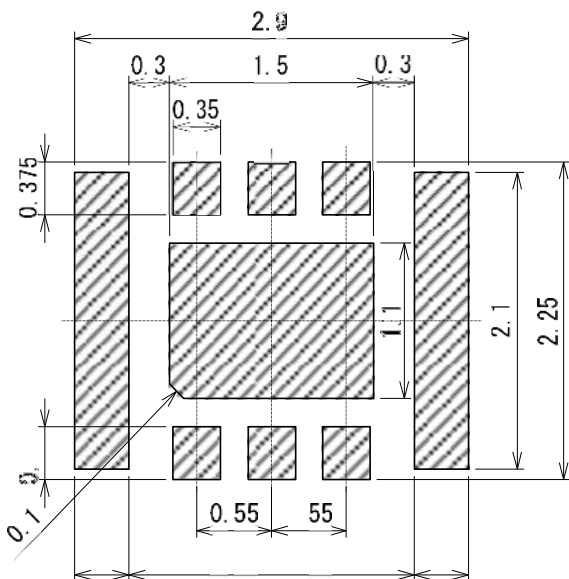
Time: 100 μ s /div

PACKAGING INFORMATION

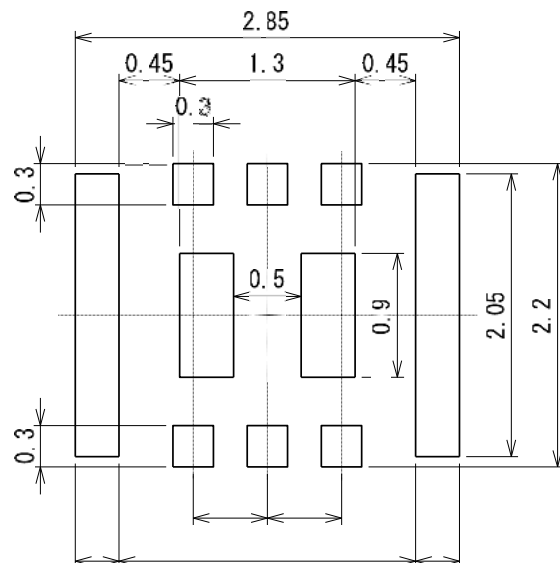
●Packaging (2.0mm×2.5mm, h=1.0mm)



●Reference Pattern Layout (unit: mm)



●Reference Metal Mask Design (unit: mm)



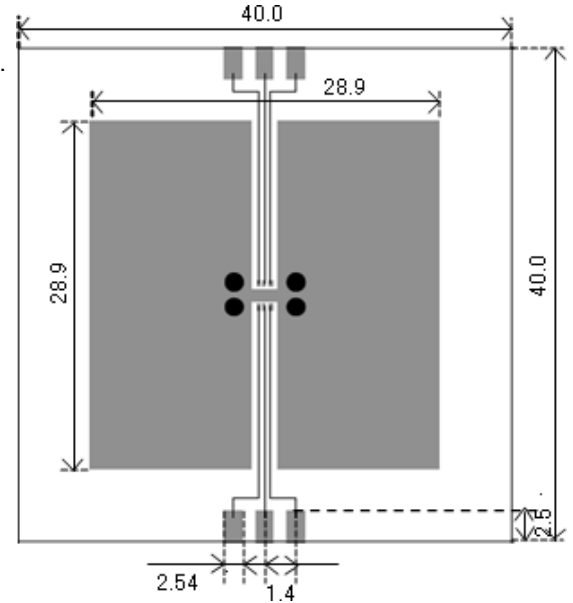
PACKAGING INFORMATION

Power Dissipation

Power dissipation data for the package is shown in this page.
The value of power dissipation varies with the mount board conditions.
Please use this data as one of reference data taken in the described condition.

1. Measurement Condition (Reference data)

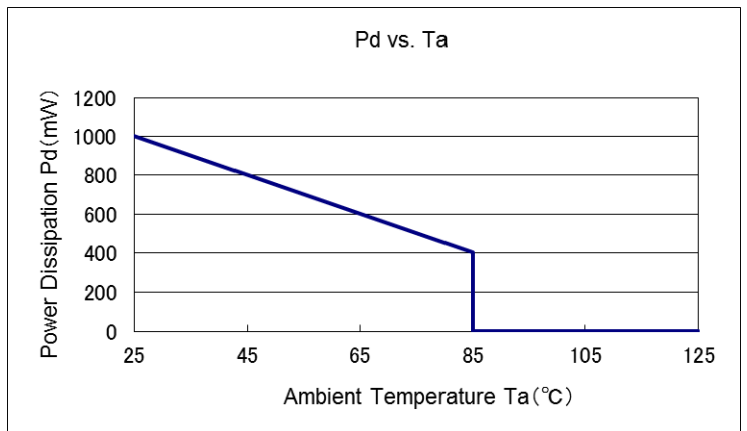
- Condition : Mount on a board
- Ambient : Natural convection
- Soldering : Lead (Pb) free
- Board Dimensions : 40 x 40 mm (1600mm² in one side)
Copper (Cu) traces occupy 50% of the board area in top and back faces Package heat-sink is tied to the copper traces.
- Material : Glass Epoxy (FR-4)
- Thickness : 1.6 mm
- Through-hole : 4 x 0.8 Diameter



Evaluation Board (Unit:mm)

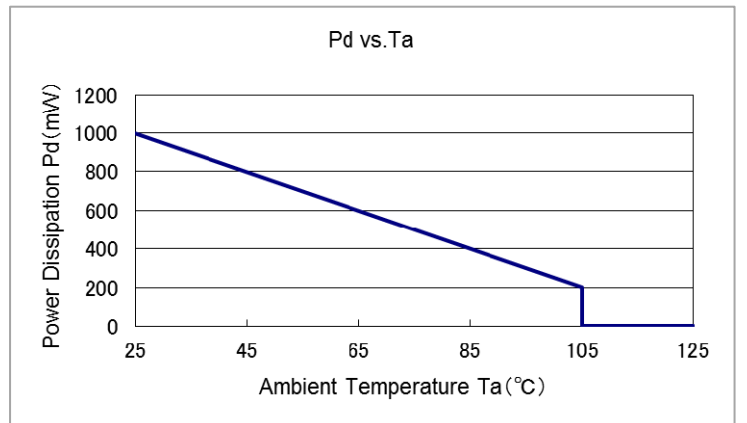
2. Power Dissipation vs. Ambient Temperature(85°C)
Board Mount (Tjmax=125°C)

Ambient Temperature (°C)	Power Dissipation Pd (mW)	Thermal Resistance (°C/W)
25	1000	100.00
85	400	

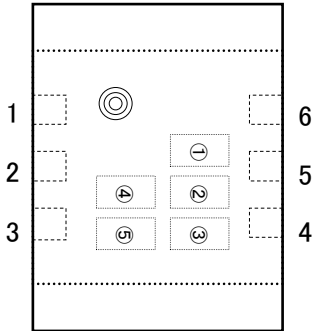


3. Power Dissipation vs. Ambient Temperature(105°C)

Ambient Temperature (°C)	Power Dissipation Pd (mW)	Thermal Resistance (°C/W)
25	1000	100.00
105	200	



■ MARKING RULE



① represents products series

MARK	PRODUCT SERIES
4	MYRGP-W-RF
5	MYRGP-B-RF

② represents type of DC/DC converters

OUTPUT VOLTAGE (V)	MARK
0.x	MYRGP-x-RF U

③ represents the decimal part of output voltage

MARK	PRODUCT SERIES
8	MYRGP080060x21RF

④,⑤ represents production lot number

01~09、0A~0Z、11~9Z、A1~A9、AA~AZ、B1~ZZ in order.
(G, I, J, O, Q, W excluded) Note: No character inversion used.

1. The product and product specifications contained herein are subject to change without notice to improve performance characteristics. Consult us, or our representatives before use, to confirm that the information in this datasheet is up to date.
2. The information in this datasheet is intended to illustrate the operation and characteristics of our products. We neither make warranties or representations with respect to the accuracy or completeness of the information contained in this datasheet nor grant any license to any intellectual property rights of ours or any third party concerning with the information in this datasheet.
3. Applicable export control laws and regulations should be complied and the procedures required by such laws and regulations should also be followed, when the product or any information contained in this datasheet is exported.
4. The product is neither intended nor warranted for use in equipment of systems which require extremely high levels of quality and/or reliability and/or a malfunction or failure which may cause loss of human life, bodily injury, serious property damage including but not limited to devices or equipment used in 1) nuclear facilities, 2) aerospace industry, 3) medical facilities, 4) automobile industry and other transportation industry and 5) safety devices and safety equipment to control combustions and explosions. Do not use the product for the above use unless agreed by us in writing in advance.
5. Although we make continuous efforts to improve the quality and reliability of our products; nevertheless Semiconductors are likely to fail with a certain probability. So in order to prevent personal injury and/or property damage resulting from such failure, customers are required to incorporate adequate safety measures in their designs, such as system fail safes, redundancy and fire prevention features.
6. Our products are not designed to be Radiation-resistant.
7. Please use the product listed in this datasheet within the specified ranges.
8. We assume no responsibility for damage or loss due to abnormal use.
9. All rights reserved. No part of this datasheet may be copied or reproduced unless agreed by Murata manufacturing Co., Ltd in writing in advance.

Murata Manufacturing Co.,Ltd