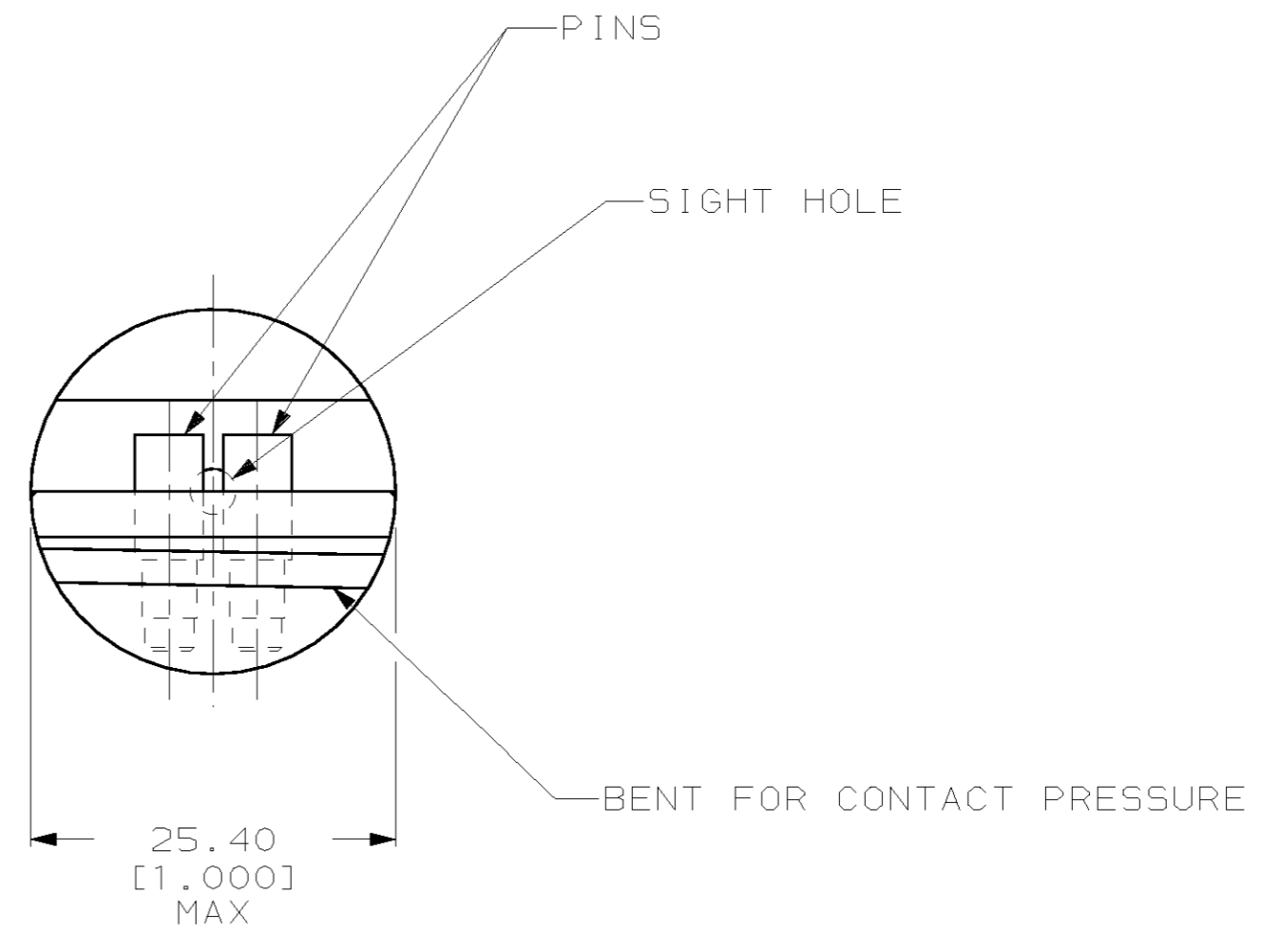
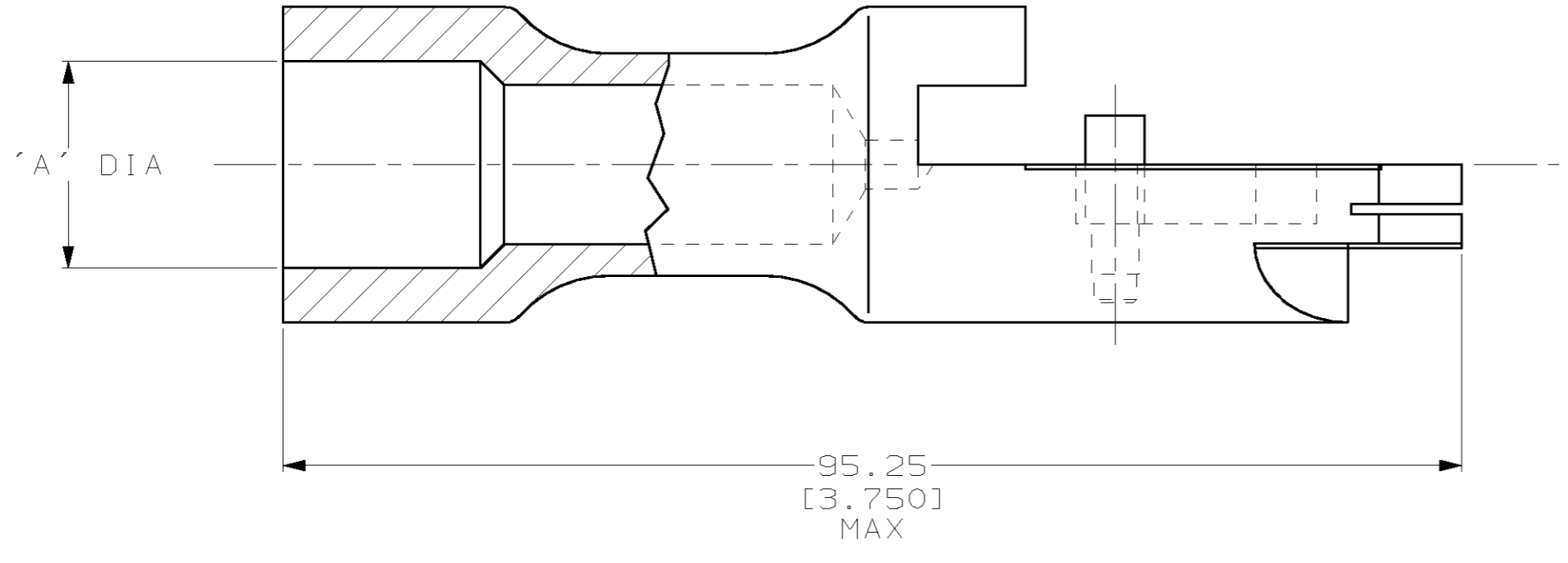
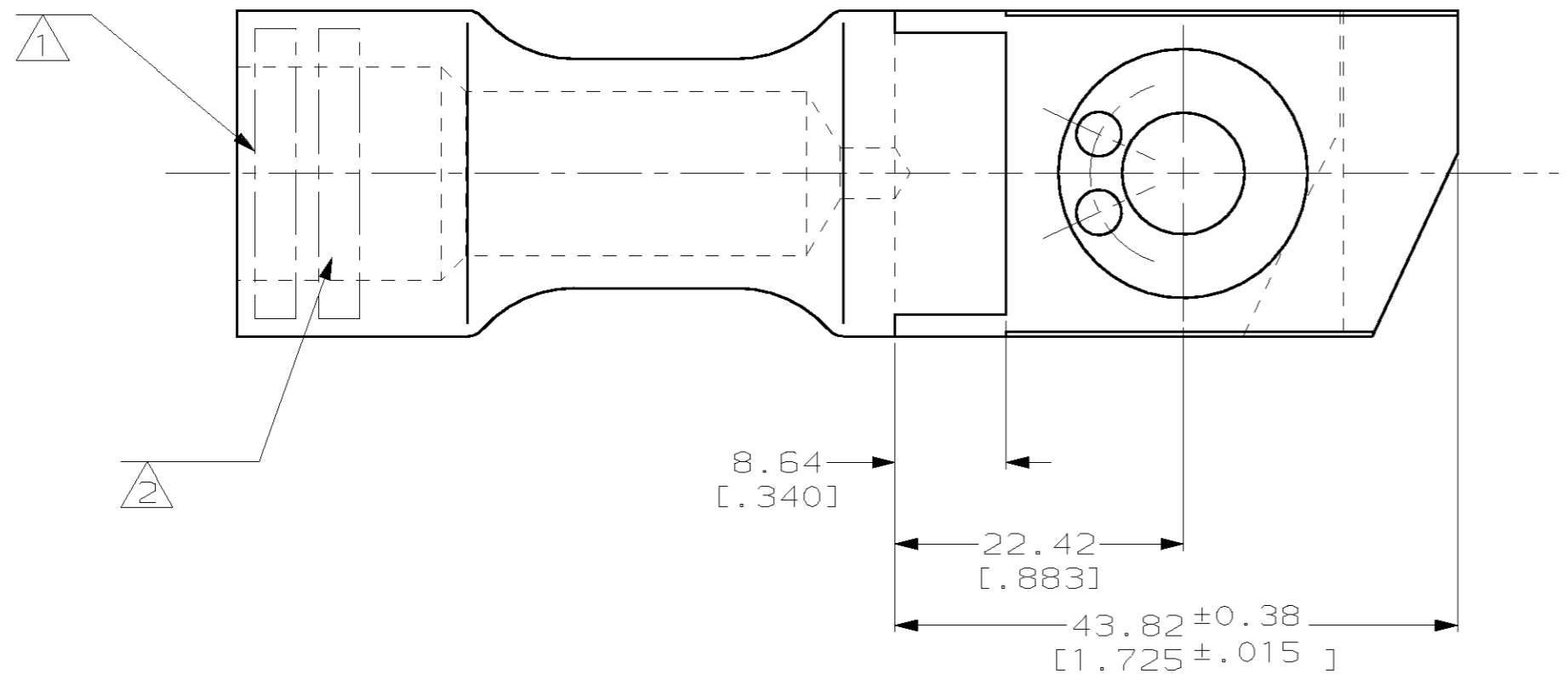


THIS DRAWING IS UNPUBLISHED. RELEASED FOR PUBLICATION .19
 © COPYRIGHT 19 BY AMP INCORPORATED. ALL RIGHTS RESERVED.

| LOC | | DIST | | REVISIONS | | | |
|-----|-----|-------------|---------|--------------|---------|------|----|
| P | LTR | DESCRIPTION | | DATE | DWN | APVD | |
| G | 86 | H | REV PER | 063A-0067-99 | 10AUG99 | JR | MS |



| OBsolete | Part No | Wire | Length | Tolerance | Part No |
|----------|-------------|---------|--------------|----------------|-----------------|
| W | 7077DB00617 | 2/0 A33 | 16.76 [.660] | 0.0076 [.0003] | 52595-5 |
| W | 7077DB0611 | 2/0 A33 | 18.24 [.718] | 0.0076 [.0003] | 52595-4 |
| - | AMP 2/0 | | 16.28 [.641] | 0.0025 [.0001] | 52595-3 |
| - | AMP 2/0 | | 17.48 [.688] | 0.0025 [.0001] | 52595-2 |
| - | AMP 2/0 | | 17.91 [.705] | 0.0025 [.0001] | 52595-1 |
| △ | STAMPING | △ | 'A' | FINISH | AMP PART NUMBER |

| | | | |
|---|--|--|--|
| THIS DRAWING IS A CONTROLLED DOCUMENT FOR AMP INCORPORATED. IT IS SUBJECT TO CHANGE AND THE CONTROLLING ENGINEERING ORGANIZATION SHOULD BE CONTACTED FOR THE LATEST REVISION. | | DWN JR RUTH 22JUL99 CHK M SPICER 22JUL99 APVD M SPICER 22JUL99 | AMP AMP Incorporated Harrisburg, PA 17105-3608 |
| DIMENSIONS: mm [INCHES] | TOLERANCES UNLESS OTHERWISE SPECIFIED: 0 PLC ±- 1 PLC ±- 2 PLC ±0.20(.008) 3 PLC ±- 4 PLC ±- ANGLES ±- | PRODUCT SPEC 108-13014 APPLICATION SPEC | NAME TERMINAL ASSEMBLY, QUICK-DISCONNECT, AMPPOWER™, WIRE SIZE: 2/0 AWG |
| MATERIAL BODY & PINS BRASS PER 00-B-626 | FINISH SILVER PL MIN THK - SEE TABLE THK PER 00-S-365 | WEIGHT - lbs CUSTOMER DRAWING | SIZE A2 CAGE CODE 00779 DRAWING NO C-52595 SCALE 2:1 SHEET 1 OF 1 REV H |

52595