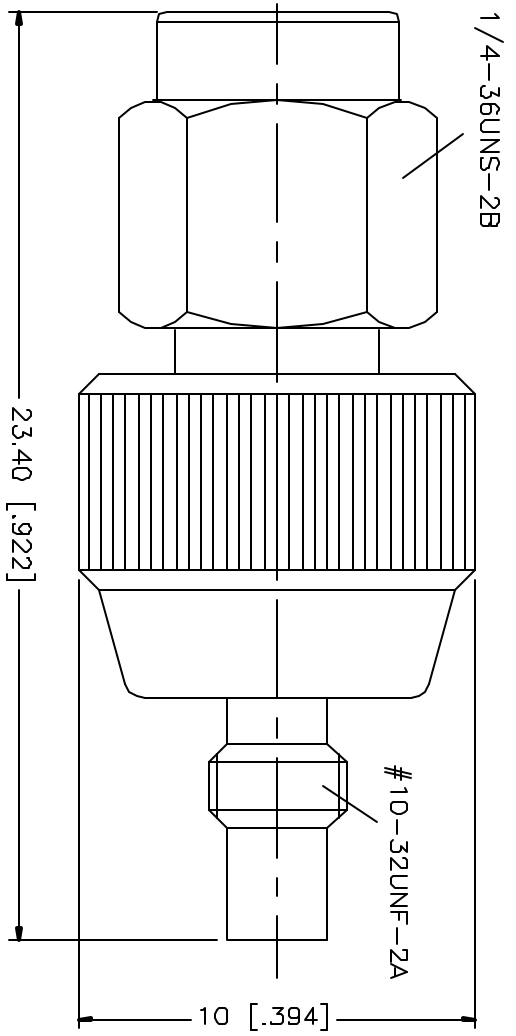


REV.	DATE	DESCRIPTION
A	12/16/01	MODIFY PART DESCRIPTION



DESCRIPTION	MATERIAL	FINISH	UNLESS OTHERWISE SPECIFIED DIMENSIONS ARE IN MILLIMETERS DIMENSIONS IN [] ARE IN INCHES FOR CUSTOMER REFERENCE ONLY	APPROVALS	DATE	TITLE	
1 BODY	BRASS	NICKEL		DRAWN	12/16/01	<p style="text-align: center;">comnex Connector Corporation</p> <p>SMA PLUG TO SMC JACK ADAPTOR</p>	
2 INSULATOR	TEFLON	NATURAL		CHECKED			
3 CONTACT PIN	BER. COPPER	GOLD		ISSUED			
4			UNLESS OTHERWISE SPECIFIED TOLERANCES FOR MILLIMETERS ARE				
5			0.5-6 = ± 0.2				
6			8-30 = ± 0.4				
7			30-120 = ± 0.6				
8			120-315 = ± 1 315-1000 = ± 1.6 1000-2000 = ± 2.4				
DO NOT SCALE DRAWING				SIZE	FROM NO	DWG NO.	REV
				A	99001	242174.DWG	A
				SCALE	PART NO	SHEET	
				NA	242174	1 OF 1	