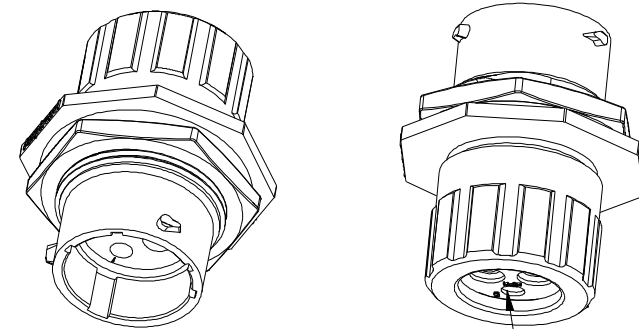
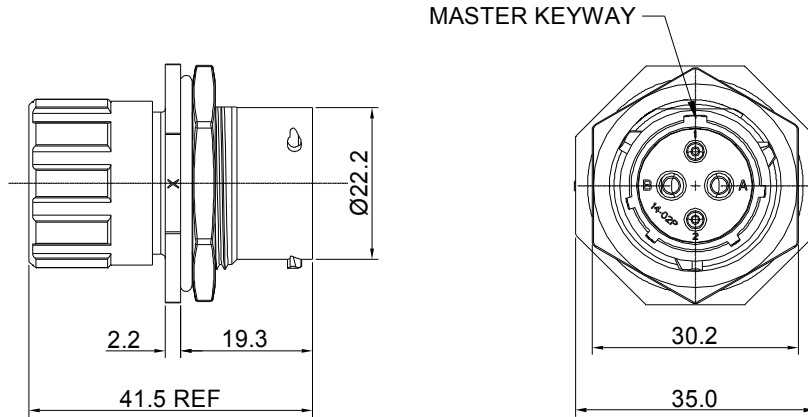


REVISIONS					
REV	ECO	DESCRIPTION	DATE	BY	APPR
A1	-	FIRST RELEASED	Jun-15-2018	Blink	Tommy
A2	-	UPDATE DESCRIPTION AND VOLTAGE	SEP-23-2021	BLINK	TOMMY



NOTES : (UNLESS OTHERWISE SPECIFIED)

1. MATERIAL :

- SHELL : THERMOPLASTIC , UL94 V-0.
- INSERT : THERMOPLASTIC , UL94 V-0.
- O-RING : NBR OR SILICONE RUBBER.
- SEAL GASKET : NBR OR SILICONE RUBBER.
- END CAP : THERMOPLASTIC , UL94 V-0.
- PLASTIC RING:THERMOPLASTIC , UL94 V-0.
- WIRE SEAL : SILICONE RUBBER.

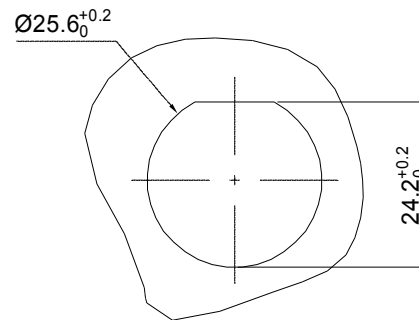
2. SPECIFICATIONS :

- 2.1 RATED CURRENT :
 - 2.1.1 2.5MM CONTACT 23A (MAX).
 - 2.1.2 16# CONTACT 13A (MAX).
- 2.2 RATED VOLTAGE : 500V(AC/DC).
- 2.3, OPERATING TEMPERATURE : SEE TABLE.
- 2.4, DIELECTRIC WITHSTANDING VOLTAGE : LESS THAN 2 MILLIAMPS CURRENT LEAKAGE@2000 VOLTS AC.
- 2.5, INSULATION RESISTANCE : 5000 MEGOHMS MIN.
- 2.6, IP-CLASS : IP67 AND IP69K IN THE MATED CONDITION, WIRE SEALS FULLY POPULATED.
- 2.7, MATING CYCLES DURABILITY : 500 CYCLES MIN.
- 2.8, RoHS COMPLIANT.

3. SUITABLE CONTACTS : 2.5mm &16# CONTACT.

4. ALL DIMENSIONS ARE FOR REFERENCE USE ONLY.

CONTACT SIZE	MIN. INSUL O.D.	MAX. INSUL O.D.	WIRE RANGE
16#	Ø2.0mm	Ø3.2mm	14 - 24AWG
2.5mm	Ø3.3mm	Ø4.3mm	14 - 12AWG



PANEL CUT OUT REFERENCE

SEALING PLUGS CAN BE PURCHASED SEPARATELY

KEY	PART NUMBER	
		-40°C ~ 105°C
N	RTS714N2PHEC	RTS714N2PHEC03

QUANTITY	PART NUMBER	DESCRIPTION	ITEM								
MATERIALS LIST											
UNLESS OTHERWISE SPECIFIED		SIGNATURES DATE									
1) All dimensions are in metric(mm).		DRAWN: BLINK	SEP-23-2021								
2) Tolerances are as follows:		CHECKED: ORION	SEP-24-2021								
1 PL DEC ±0.30		ENGINEER:									
2 PL DEC ±0.15		APPROVAL: TOMMY	SEP-27-2021								
3 PL DEC ±0.08		CUSTOMER:									
3) Note reference =		THIS DRAWING IS SUPPLIED FOR INFORMATION ONLY. DESIGN FEATURES, SPECIFICATIONS AND PERFORMANCE DATA SHOWN HEREON ARE THE PROPERTY OF THE AMPHENOL CORPORATION. NO RIGHTS OF REPRODUCTION ARE IMPLIED. ALL DIMENSIONS ARE SUBJECT TO NORMAL MANUFACTURING VARIATIONS.									
MATERIAL SPECIFICATIONS:		EcoMate Aquarius, RECEPTACLE, END CAP, JAM NUT, SIZE 14, 2+2 POS, PIN									
PROCESS SPECIFICATIONS:		<table border="0"> <tr> <td>SIZE</td> <td>TYPE</td> <td>DWG NO.</td> <td>REVISION</td> </tr> <tr> <td>B</td> <td>C-</td> <td>RTS714*2PHECxx</td> <td>A2</td> </tr> </table>		SIZE	TYPE	DWG NO.	REVISION	B	C-	RTS714*2PHECxx	A2
SIZE	TYPE	DWG NO.	REVISION								
B	C-	RTS714*2PHECxx	A2								
NEXT ASSY:		SCALE NONE	SHEET 1 OF 1								

TITLE: EcoMate Aquarius, RECEPTACLE, END CAP, JAM NUT, SIZE 14, 2+2 POS, PIN
 DWG NO.: RTS714*2PHECxx
 REV: A2
 SH: 1
 OF: 1