



American Opto Plus LED

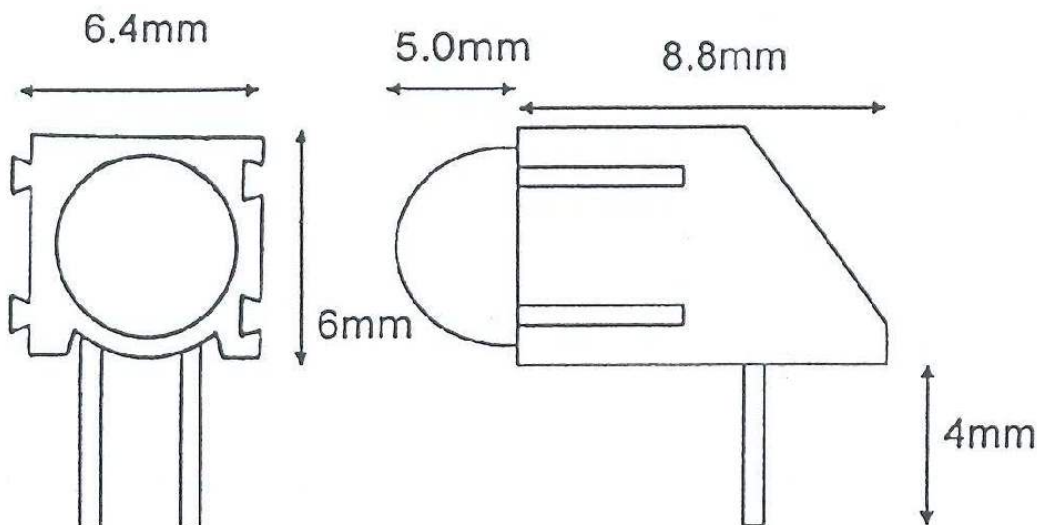
L-523XD-H400MA series

5.0mm Dia LED Lamp in H400MA HOLDER

MAIN FEATURES:

- ❖ 5mm Dia LED LAMP
- ❖ Low Power Consumption
- ❖ I.C Compatible

PACKAGE DIMENSIONS



1. All Dimension are in millimeter.
2. Tolerance is 0.25mm(0.010") unless otherwise specified.
3. Protruded resin under flange is 1.5mm(0.059") max.
4. Lead spacing is measured where the leads emerge from the package.
5. Specification are subject to change without notice.

SELECTION GUIDE AND APPLICATION INFORMATION (RATINGS AT 25°C AMBIENT)

Part No.	Chip		Lens Color	Wave Length p(nm)	Absolute Maximum Ratings				Electro-Optical Characteristics					View Angle (deg)	
	Raw Material	Emitted Color			Pd	If	If (Peak)	Vf(V)			Iv (mcd)				
								nm	mW	mA	Min.	Typ.	Max.		(Rec)
L523HD-H400	GaP	Bright Red	Red Diffused	700	90	45	15	50	1.7	2.1	2.8	5~10	0.8	5.0	60
L523ED-H400	GaAsP/GaP	Hi.effi Red	Red Diffused	635	45	100	30	160	1.7	2.1	2.8	10~20	5.0	20.0	60
L523GD-H400	GaP	Green	Green Diffused	565	30	100	30	160	1.7	2.1	2.8	10~20	3.0	15.0	60
L523YD-H400	GaAsP/GaP	Yellow	Yellow Diffused	585	30	100	30	160	1.7	2.1	2.8	10~20	0.3	15.0	60
L523AD-H400	GaAsP/GaP	Amber	Amber Diffused	585	30	100	30	160	1.7	2.1	2.8	10~20	3.0	15.0	60
L523SRD-H400	GaAlAs	Super Red	Red Diffused	660	20	60	20	160	1.6	1.8	2.1	10~20	40.0	200	60

ABSOLUTE MAXIMUM RATING: (Ta=25°C)

Reverse Voltage	: 5 Volt
Reverse Current (Vr = 5V)	: 10µA
Operating Temperature Range	: -40°C to +80°C
Storage Temperature Range	: -40°C to +100°C
Lead Soldering Temperature	: 260°C for 5 Seconds
(1.6mm(1/16inch) from body)	

ELECTRO-OPTICAL CHARACTERISTICS: (Ta=25°C)

Para meter Description	Symbol	Unit
Spectral Line half-Width	$\Delta\lambda$	nm
Power Dissipation	Pd	mW
Peak Forward Current (Duty 1/10, @KHz)	If (Peak)	mA
Recommended Operation Current	If (Rec)	mA
Average Luminous intensity (If = 10mA)	Iv	mcd