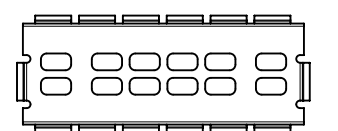
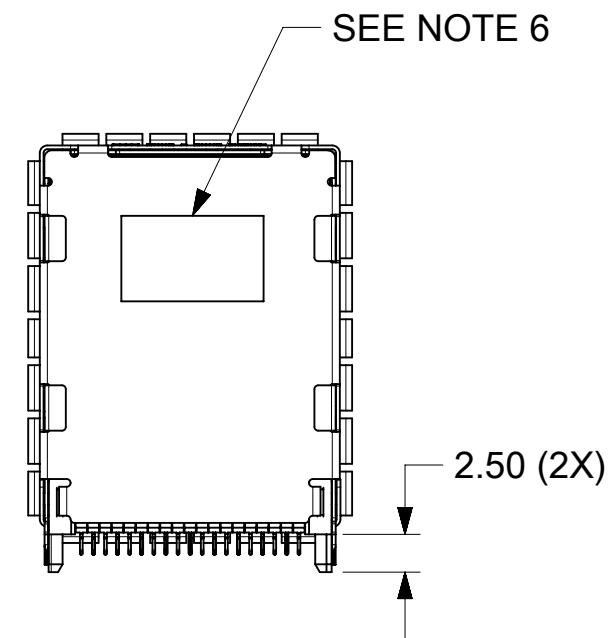
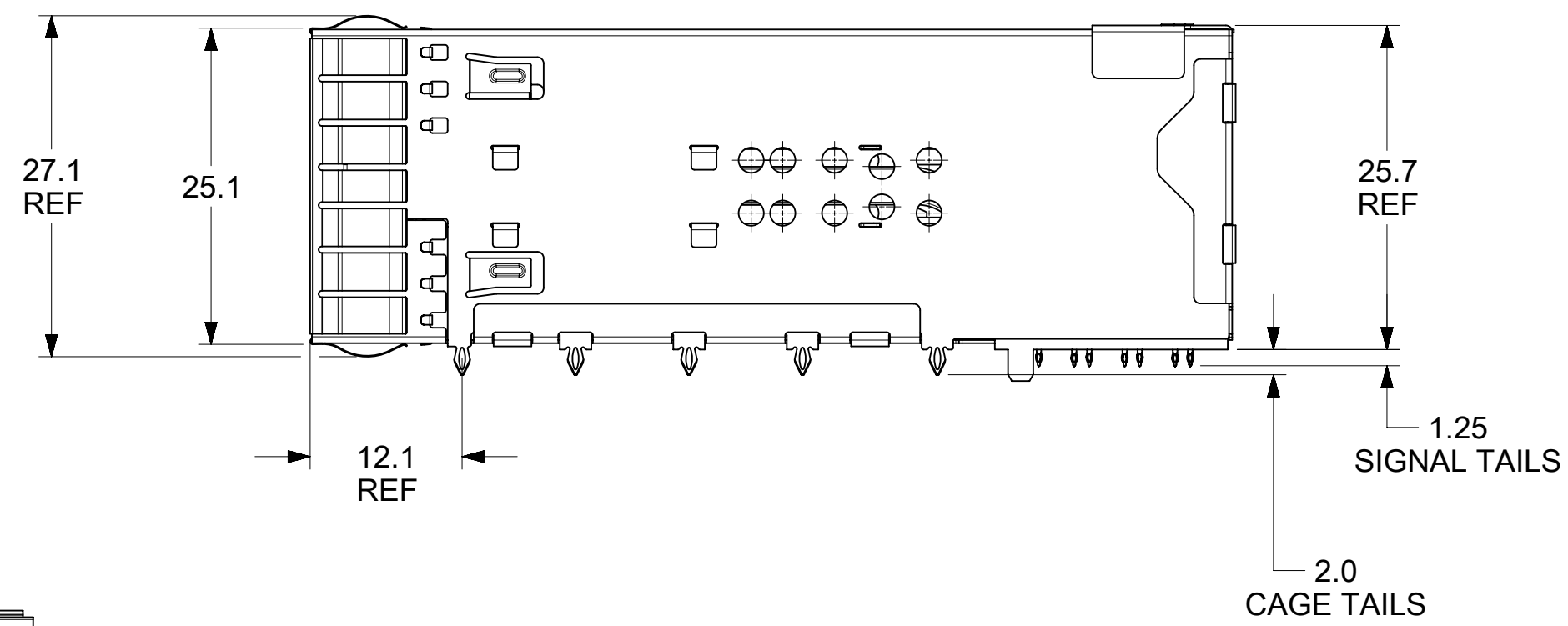
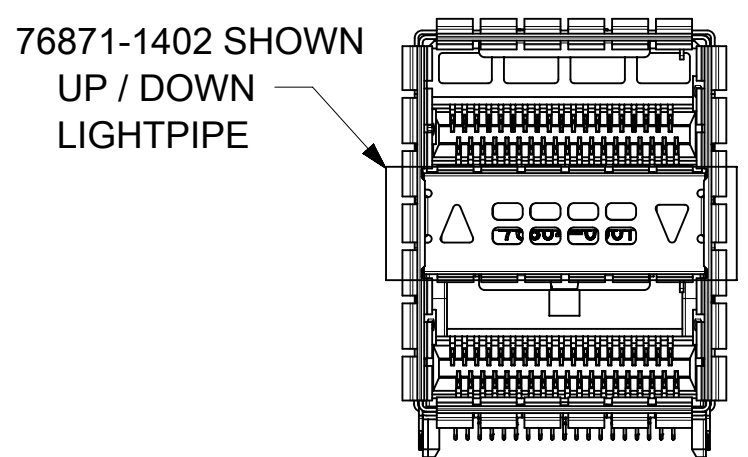
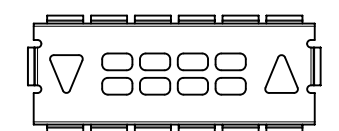


NOTES

- MATERIALS
 CAGE: NICKLE SILVER, 0.25 THICK
 SPRING FINGERS: PHOS. BRONZE, 0.10 THICK
 CONNECTOR HOUSING: HIGH PERFORMANCE THERMOPLASTIC, 94V-0
 TERMINALS: HIGH PERFORMANCE COPPER ALLOY, 0.18 THICK
- FINISH
 SPRING FINGERS: 100µm NICKEL OVERALL
 TERMINALS: CONTACT AREA: 0.76µm MIN GOLD OVER
 2.5µm MIN NICKEL
 COMPLIANT AREA: 0.76-1.52µm MATTE TIN
 OVER 1.27µm MIN NICKEL
- ALL SURFACES TO BE CLASS "C" OR BETTER PER MOLEX COSMETIC SPECIFICATION PS-45499-002
- REFER TO PK-76871-9001 FOR PACKAGING INFORMATION
- CONNECTOR INTENDED TO MATE WITH CABLE PLUG SERIES 74757 AND 74758
- DATE CODE LOCATION SHOWN. DATE CODE FORMAT: DDDY
 DDD = DAY OF THE YEAR, Y = YEAR



76871-1401
AIRFLOW ONLY
NO LIGHTPIPE



76871-1403
DOWN / UP
LIGHTPIPE
(OBSOLETE)

| | | | | | | | | | | | | | | | | | | | | | | | | | | | | | |
|---|---|-------|---|--|--|------------|--|-----------------|--|----------|---|--|---|----------|---|--|---|----------|---|------|---|---------|---|------|---|----------|---|--|---|
| THIS DRAWING CONTAINS INFORMATION THAT IS PROPRIETARY TO MOLEX ELECTRONIC TECHNOLOGIES, LLC AND SHOULD NOT BE USED WITHOUT WRITTEN PERMISSION | | | | | | | | | | | | | | | | | | | | | | | | | | | | | |
| DIMENSION UNITS | | SCALE | | CURRENT REV DESC: OBSOLETE PART NO | | | | | | | | | | | | | | | | | | | | | | | | | |
| mm | | 2:1 | | <p>GENERAL TOLERANCES (UNLESS SPECIFIED)</p> <table border="1"> <tr> <td>4 PLACES</td> <td>±</td> <td></td> <td>±</td> </tr> <tr> <td>3 PLACES</td> <td>±</td> <td></td> <td>±</td> </tr> <tr> <td>2 PLACES</td> <td>±</td> <td>0.13</td> <td>±</td> </tr> <tr> <td>1 PLACE</td> <td>±</td> <td>0.25</td> <td>±</td> </tr> <tr> <td>0 PLACES</td> <td>±</td> <td></td> <td>±</td> </tr> </table> <p>ANGULAR TOL ± 0.5°</p> | | | | | | 4 PLACES | ± | | ± | 3 PLACES | ± | | ± | 2 PLACES | ± | 0.13 | ± | 1 PLACE | ± | 0.25 | ± | 0 PLACES | ± | | ± |
| 4 PLACES | ± | | ± | | | | | | | | | | | | | | | | | | | | | | | | | | |
| 3 PLACES | ± | | ± | | | | | | | | | | | | | | | | | | | | | | | | | | |
| 2 PLACES | ± | 0.13 | ± | | | | | | | | | | | | | | | | | | | | | | | | | | |
| 1 PLACE | ± | 0.25 | ± | | | | | | | | | | | | | | | | | | | | | | | | | | |
| 0 PLACES | ± | | ± | | | | | | | | | | | | | | | | | | | | | | | | | | |
| EC NO: 625872 | | | | DRWN: VLOKESHA | | 2019/09/03 | | | | | | | | | | | | | | | | | | | | | | | |
| CHK'D: GB | | | | APPR: GGA | | 2019/11/12 | | | | | | | | | | | | | | | | | | | | | | | |
| INITIAL REVISION: | | | | DRWN: JKACHLIC | | 2012/08/09 | | | | | | | | | | | | | | | | | | | | | | | |
| APPR: MBANAKIS | | | | SERIES | | 76871 | | | | | | | | | | | | | | | | | | | | | | | |
| DRAFT WHERE APPLICABLE MUST REMAIN WITHIN DIMENSIONS | | | | THIRD ANGLE PROJECTION | | DRAWING | | SERIES | | | | | | | | | | | | | | | | | | | | | |
| | | | | C-SIZE | | 76871 | | MATERIAL NUMBER | | | | | | | | | | | | | | | | | | | | | |
| | | | | | | | | CUSTOMER | | | | | | | | | | | | | | | | | | | | | |
| | | | | | | | | GENERAL MARKET | | | | | | | | | | | | | | | | | | | | | |
| | | | | | | | | SHEET NUMBER | | | | | | | | | | | | | | | | | | | | | |
| | | | | | | | | 1 OF 3 | | | | | | | | | | | | | | | | | | | | | |

| | | | | |
|-----------------|------------------------------|--------------|------------|----------|
| PART NUMBER | AIRFLOW/LIGHTPIPE OPTION | | | |
| 768711401 | AIRFLOW ONLY. NO LIGHTPIPE | | | |
| 768711402 | UP /DOWN LIGHTPIPE INDICATOR | | | |
| DOCUMENT STATUS | P1 | RELEASE DATE | 2019/11/12 | 07:19:29 |



QSFP+ 2X1 W/EMI SPRINGS

PRODUCT CUSTOMER DRAWING

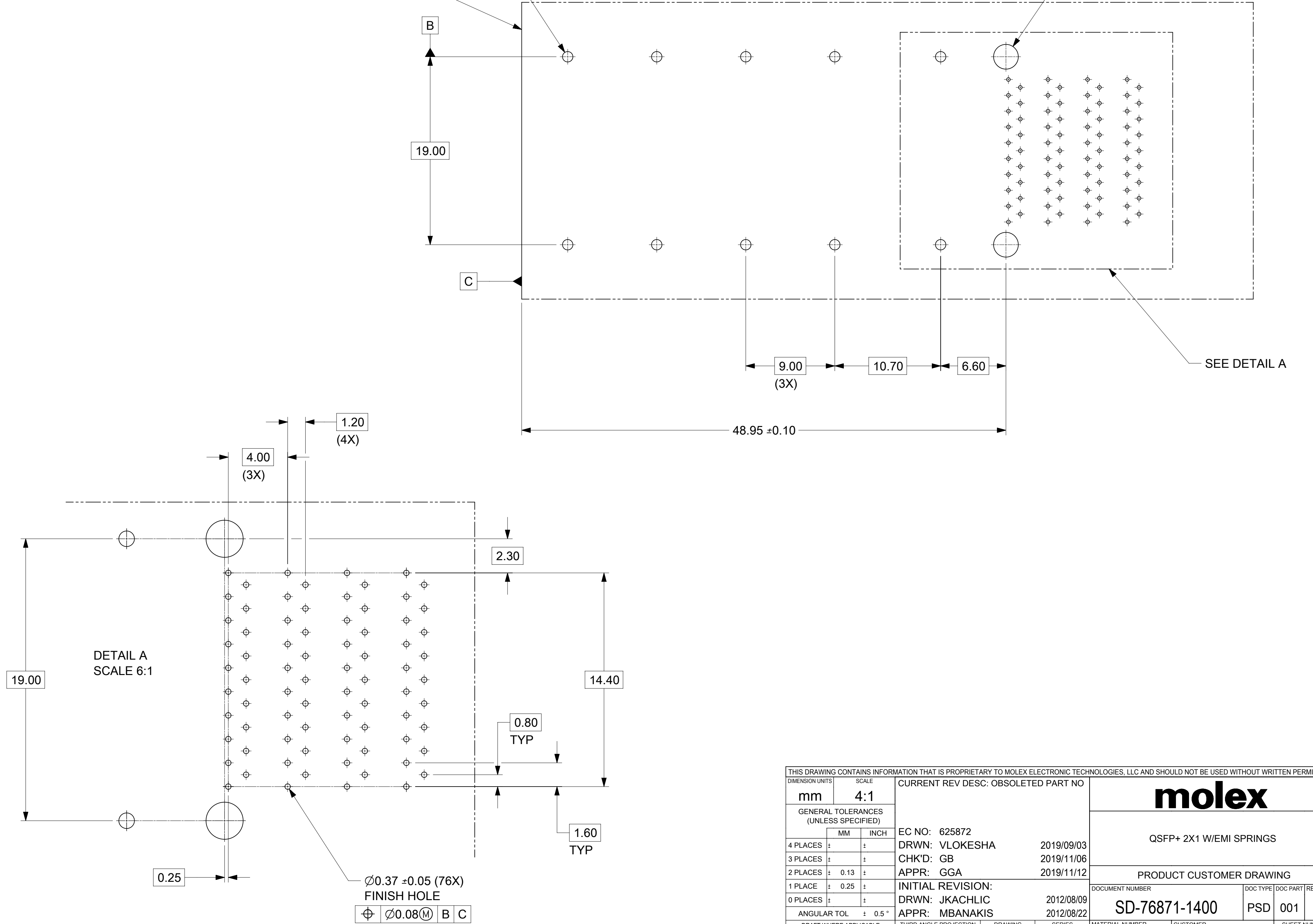
DOCUMENT NUMBER: SD-76871-1400
 DOC TYPE: PSD
 DOC PART: 001
 REVISION: C

Ø1.05 ±0.05 (10X)
FINISH HOLE
⊕ Ø0.08(M) B C

Ø2.50 ±0.05 (2X)
DRILL HOLE
⊕ Ø0.08(M) B C

FRONT EDGE OF BOARD

FRONT EDGE OF BOARD



DETAIL A
SCALE 6:1

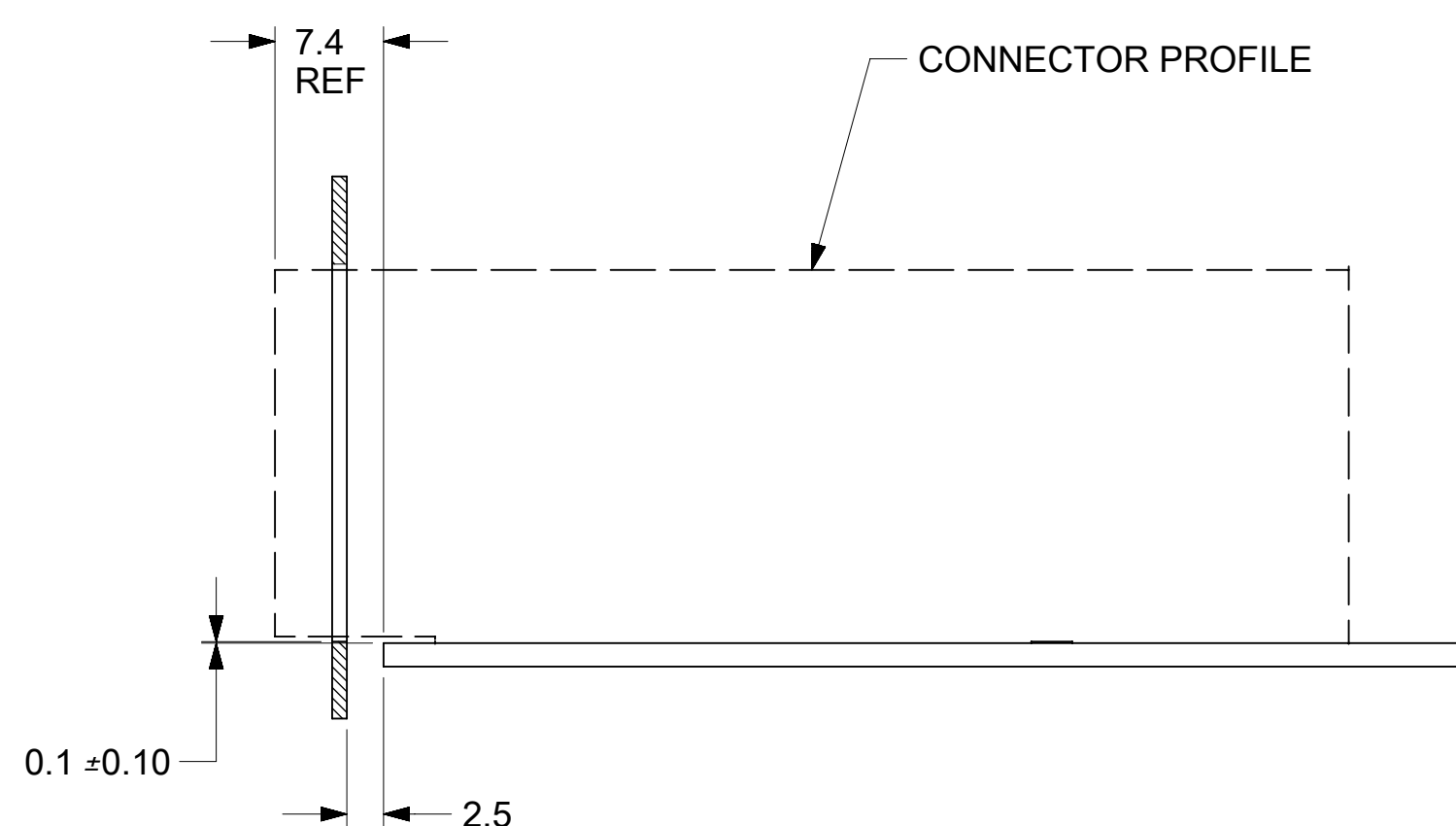
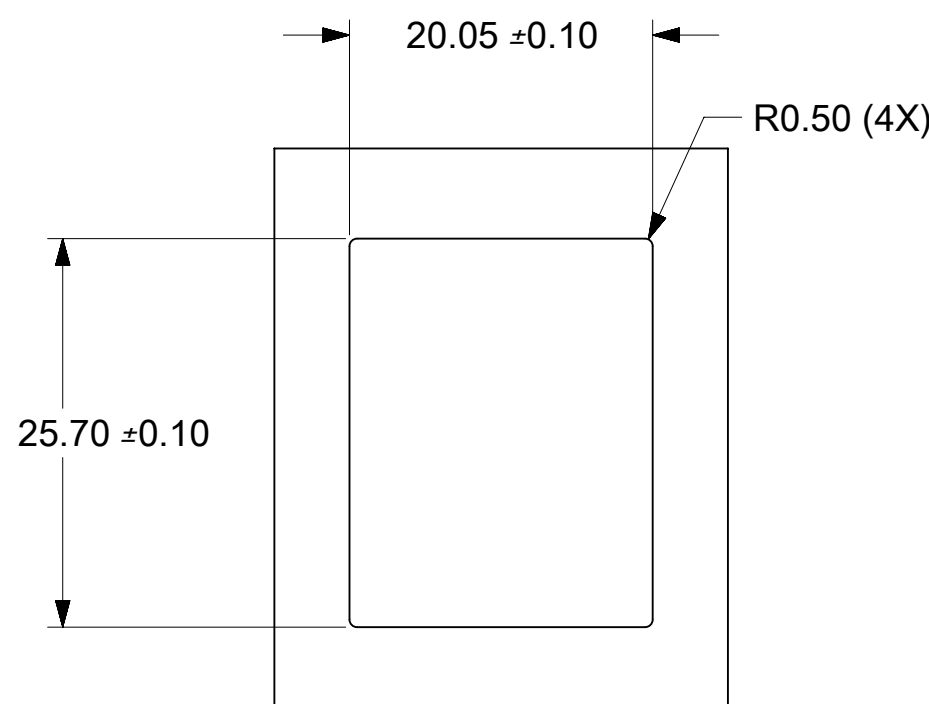
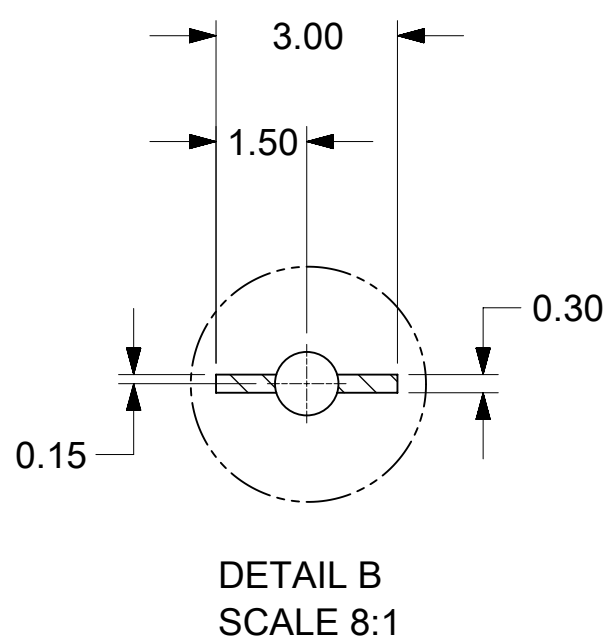
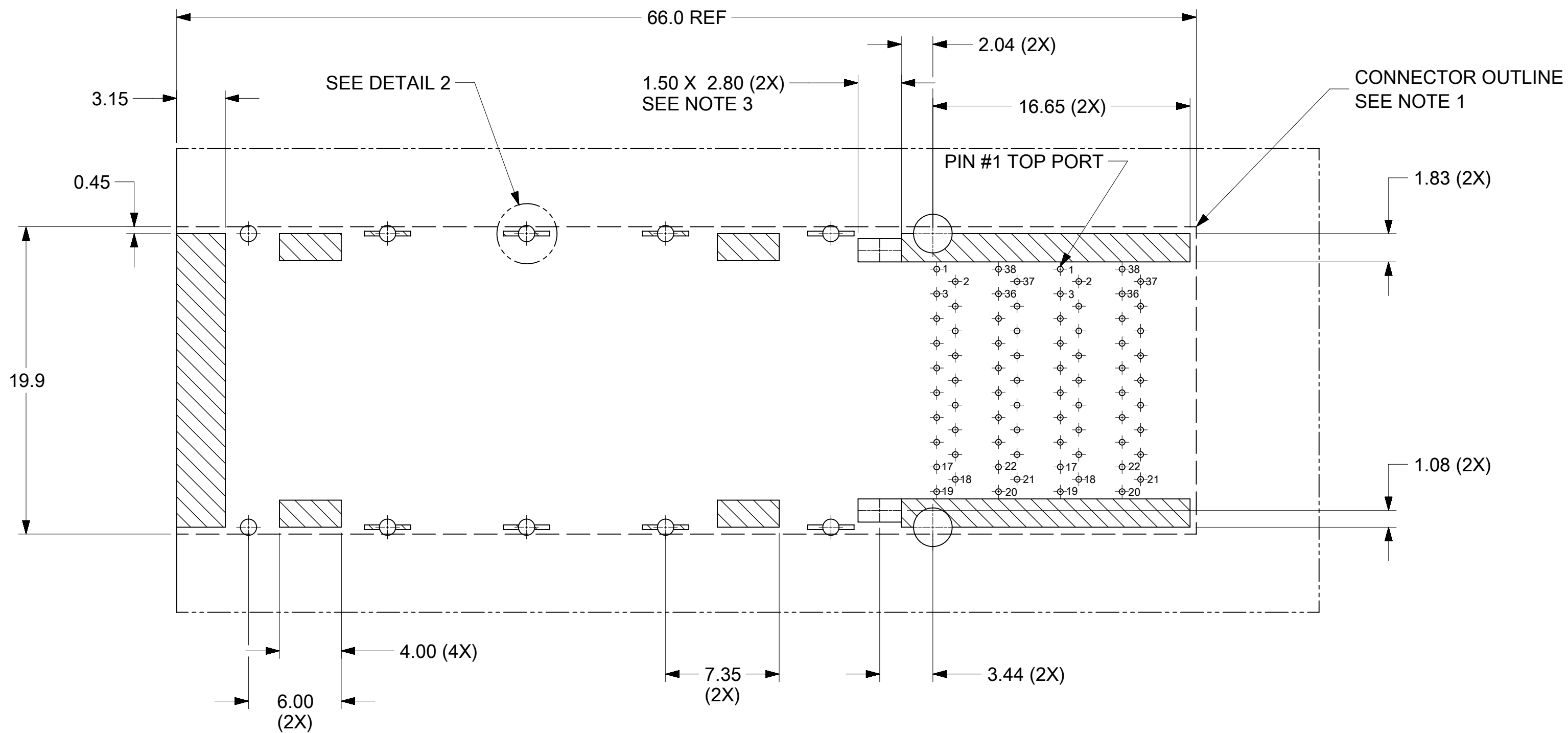
SEE DETAIL A

THIS DRAWING CONTAINS INFORMATION THAT IS PROPRIETARY TO MOLEX ELECTRONIC TECHNOLOGIES, LLC AND SHOULD NOT BE USED WITHOUT WRITTEN PERMISSION

| | | | | | | | |
|--|--------|-------|--|--|--|-------------------|--|
| DIMENSION UNITS | | SCALE | | CURRENT REV DESC: OBSOLETE PART NO | | | |
| mm | | 4:1 | | <p>molex</p> <p>QSFP+ 2X1 W/EMI SPRINGS</p> <p>PRODUCT CUSTOMER DRAWING</p> <p>DOCUMENT NUMBER: SD-76871-1400 DOC TYPE: PSD DOC PART: 001 REVISION: C</p> <p>MATERIAL NUMBER: SEE CHART CUSTOMER: GENERAL MARKET SHEET NUMBER: 2 OF 3</p> | | | |
| GENERAL TOLERANCES (UNLESS SPECIFIED) | | | | | | | |
| | MM | INCH | | | | | |
| 4 PLACES | ± | | | | | | |
| 3 PLACES | ± | | | | | | |
| 2 PLACES | ± 0.13 | | | EC NO: 625872 | | 2019/09/03 | |
| 1 PLACE | ± 0.25 | | | DRWN: VLOKESHA | | 2019/11/06 | |
| 0 PLACES | ± | | | CHK'D: GB | | 2019/11/12 | |
| ANGULAR TOL ± 0.5 ° | | | | APPR: GGA | | | |
| DRAFT WHERE APPLICABLE MUST REMAIN WITHIN DIMENSIONS | | | | THIRD ANGLE PROJECTION | | INITIAL REVISION: | |
| | | | | DRAWING | | DRWN: JKACHLIC | |
| | | | | SERIES | | 2012/08/09 | |
| | | | | C-SIZE | | 2012/08/22 | |
| | | | | 76871 | | | |

Ø0.37 ±0.05 (76X)
FINISH HOLE
⊕ Ø0.08(M) B C

| | | | | |
|-----------------|----|--------------|------------|----------|
| DOCUMENT STATUS | P1 | RELEASE DATE | 2019/11/12 | 07:19:29 |
|-----------------|----|--------------|------------|----------|



NOTES:

1. THE ENTIRE AREA UNDER THE CONNECTOR IS A COMPONENT KEEP-OUT ZONE
2. CROSS HATCHED AREAS INDICATE PLACES WHERE THE PLASTIC HOUSING AND METAL CAGE MAY BE IN CONTACT WITH THE PCB SURFACE. THESE AREAS ARE TRACE KEEP-OUT ZONES
3. THESE 2 RECTANGULAR ZONES ARE FOR LED PLACEMENT. LED HEIGHT SHOULD NOT EXCEED 0.8 AND PLACEMENT SHOULD BE CENTERED WITHIN THIS LED KEEP-IN ZONE
4. RECOMMENDED LED CHIP PACKAGE SIZE IS 0805

PANEL OPENING REQUIREMENTS

| | | | | | | | | | |
|---|---|---------|------|---|--|---------|--|--------|--|
| THIS DRAWING CONTAINS INFORMATION THAT IS PROPRIETARY TO MOLEX ELECTRONIC TECHNOLOGIES, LLC AND SHOULD NOT BE USED WITHOUT WRITTEN PERMISSION | | | | | | | | | |
| DIMENSION UNITS | | SCALE | | CURRENT REV DESC: OBSOLETE PART NO | | | | | |
| mm | | 2:1 | | <p>molex</p> <p>QSFP+ 2X1 W/EMI SPRINGS</p> <p>PRODUCT CUSTOMER DRAWING</p> <p>DOCUMENT NUMBER: SD-76871-1400 DOC TYPE: PSD DOC PART: 001 REVISION: C</p> <p>MATERIAL NUMBER: SEE CHART CUSTOMER: GENERAL MARKET SHEET NUMBER: 3 OF 3</p> | | | | | |
| GENERAL TOLERANCES (UNLESS SPECIFIED) | | | | | | | | | |
| | | MM | INCH | | | | | | |
| 4 PLACES | ± | | | | | | | | |
| 3 PLACES | ± | | | | | | | | |
| 2 PLACES | ± | 0.13 | | | | | | | |
| 1 PLACE | ± | 0.25 | | | | | | | |
| 0 PLACES | ± | | | | | | | | |
| ANGULAR TOL | | ± 0.5 ° | | <p>EC NO: 625872</p> <p>DRWN: VLOKESHA 2019/09/03</p> <p>CHK'D: GB 2019/11/06</p> <p>APPR: GGA 2019/11/12</p> <p>INITIAL REVISION:</p> <p>DRWN: JKACHLIC 2012/08/09</p> <p>APPR: MBANAKIS 2012/08/22</p> | | | | | |
| DRAFT WHERE APPLICABLE MUST REMAIN WITHIN DIMENSIONS | | | | THIRD ANGLE PROJECTION | | DRAWING | | SERIES | |
| | | | | | | C-SIZE | | 76871 | |

| | | | |
|-----------------|----|--------------|---------------------|
| DOCUMENT STATUS | P1 | RELEASE DATE | 2019/11/12 07:19:29 |
|-----------------|----|--------------|---------------------|