

# Input / Output Modules

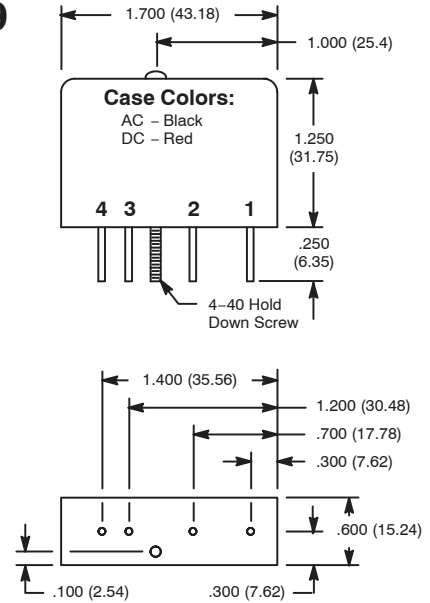
## RIM Series



## Output Digital Modules D29

### Features

- AC & DC Types
- 4KV Optical Isolation
- Industry Standard Packaging
- Plugs into Standard I/O Module Mounting Board
- Industry Standard Color Code (AC=Black, DC=Red)



### INPUT SPECIFICATIONS

NTE Type No.	Nom. Input Vltg.	Min Turn-on Vltg.	Max Input Vltg.	Drop-Out Vltg.	Max Input Curr.	Nom. Input Res.	Diag No.
RIM-OAC5	5 VDC	2.5 VDC	8.0 0VDC	1 VDC	20mA	220 Ohms	D29A
RIM-OAC15	15 VDC	9.0 VDC	18 VDC	1 VDC	16mA	1K Ohms	D29A
RIM-OAC24	24 VDC	18 VDC	32 VDC	1 VDC	14mA	2K Ohms	D29A
RIM-OAC5A	5 VDC	2.5 VDC	8.0 VDC	1 VDC	20mA	200 Ohms	D29A
RIM-OAC15A	15 VDC	9.0 VDC	18 VDC	1 VDC	16 mA	1K Ohms	D29A
RIM-OAC24A	24 VDC	18 VDC	32 VDC	1 VDC	14mA	2K Ohms	D29A
RIM-ODC5	5 VDC	2.75 VDC	8.0 VDC	1 VDC	18mA	250 Ohms	D29B
RIM-ODC15	15 VDC	9.0 VDC	18 VDC	1 VDC	16mA	1K Ohms	D29B
RIM-ODC24	24 VDC	18 VDC	32 VDC	1 VDC	13mA	2K Ohms	D29B

### OUTPUT SPECIFICATIONS

NTE Type No.	Nom. Line Vltg.	Line Voltage		On-State Current		Peak On-State Voltage	Max Surge Current	Diag No.
		Min	Max	Min	Max			
RIM-OAC5	120 Vrms	12 Vrms	140 Vrms	50mA	3.5A	1.6V Peak	100 A Peak	D29A
RIM-OAC15	120 Vrms	12 Vrms	140 Vrms	50mA	3.5A	1.6V Peak	100 A Peak	D29A
RIM-OAC24	120 Vrms	12 Vrms	140 Vrms	50mA	3.5A	1.6V Peak	100 A Peak	D29A
RIM-OAC5A	240 Vrms	24 Vrms	280 Vrms	50mA	3.5A	1.6V Peak	100 A Peak	D29A
RIM-OAC15A	240 Vrms	24 Vrms	280 Vrms	50mA	3.5A	1.6V Peak	100 A Peak	D29A
RIM-OAC24A	240 Vrms	24 Vrms	280 Vrms	50mA	3.5A	1.6V Peak	100 A Peak	D29A
RIM-ODC5	5-48VDC	3 VDC	60 VDC	10mA	3.0A	1.5V Peak	5.0 ADC	D29B
RIM-ODC15	5-48VDC	3 VDC	60 VDC	10mA	3.0A	1.5V Peak	5.0 ADC	D29B
RIM-ODC24	5-48VDC	3 VDC	60 VDC	10mA	3.0A	1.5V Peak	5.0 ADC	D29B

## Electrical Specifications

### Environmental

Operating: -30°C to +80°C

Storage: -40°C to +100°C

### Capacitance

Input to Output: 8pf Max

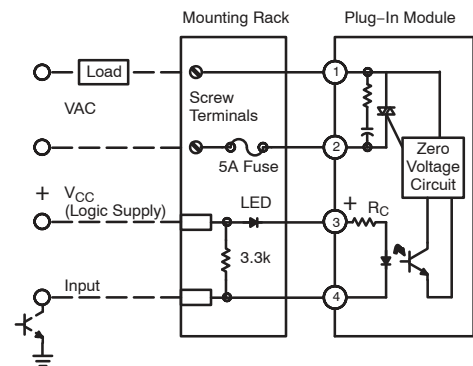
### Insulation Characteristics

Input to Output Isolation Voltage: 4000 VRMS

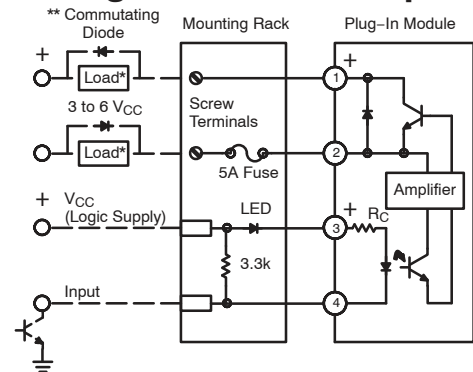
### ACCESSORIES

MOUNTING STYLES	DESCRIPTION	NTE TYPE NO.
DIN RAIL MOUNT	2-POSITION SOCKET	RLY9142

### Diagram A - AC Output



### Diagram B - DC Output



\* Sink or source current  
\*\* Must be used on inductive loads.