

MODEL: SJ-63013G | **DESCRIPTION:** AUDIO JACK**FEATURES**

- panel mount
- 3 conductor
- isolated tip switch
- threaded with nut

**SPECIFICATIONS**

| parameter | conditions/description | min | typ | max | units |
|----------------------------|----------------------------------|-----|-------|-----|--------|
| rated input voltage | | | 12 | | Vdc |
| rated input current | | | | 1 | A |
| contact resistance | between terminal and mating plug | | | 30 | mΩ |
| insulation resistance | at 500 Vdc | 100 | | | MΩ |
| voltage withstand | for 1 minute | | | 500 | Vac |
| insertion/withdrawal force | | 0.4 | | 3 | kg |
| operating temperature | | -25 | | 70 | °C |
| life | | | 5,000 | | cycles |
| flammability rating | see material table | | | | |
| RoHS | yes | | | | |

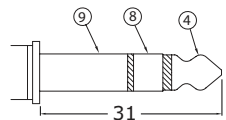
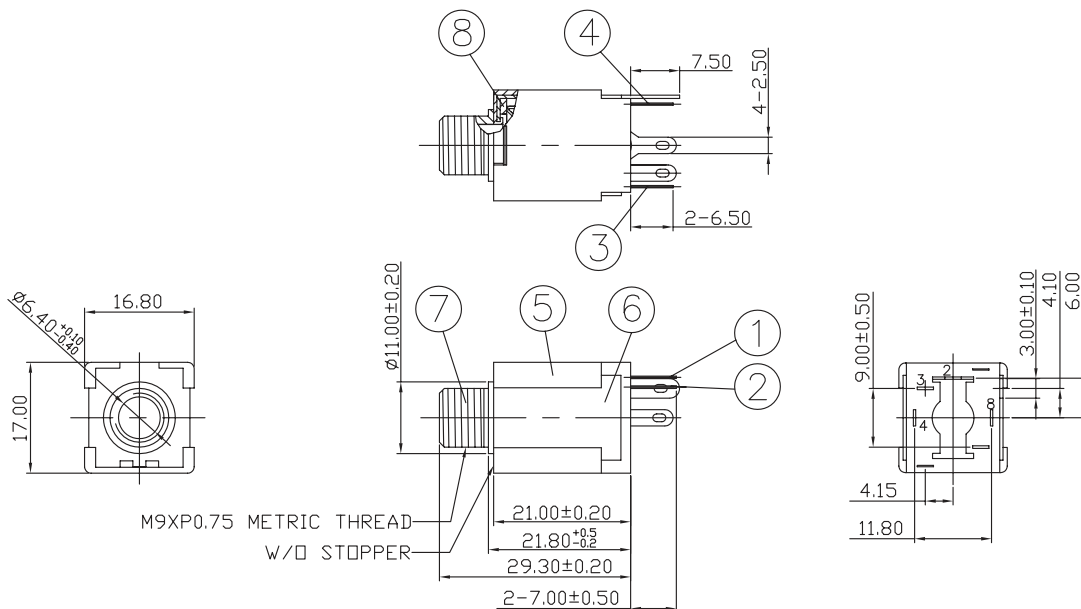
SOLDERABILITY

| parameter | conditions/description | min | typ | max | units |
|----------------|------------------------|-----|-----|-----|-------|
| hand soldering | for 3~5 seconds | | 360 | | °C |

MECHANICAL DRAWING

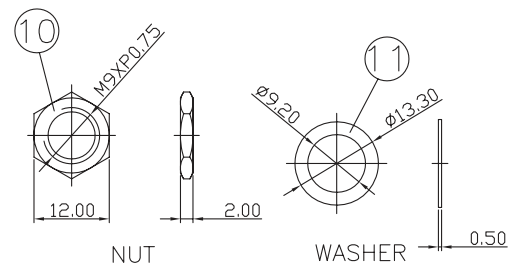
units: mm
tolerance: ±0.3 mm

| ITEM | DESCRIPTION | MATERIAL | PLATING/COLOR |
|------|-------------------|------------------|---------------|
| 1 | transfer terminal | phosphor bronze | silver |
| 2 | break terminal | brass | silver |
| 3 | tip spring | phosphor bronze | silver |
| 4 | ring spring | phosphor bronze | silver |
| 5 | housing | POM (UL94HB) | black |
| 6 | cover | steel | nickel |
| 7 | barrel | brass | nickel |
| 8 | insulator | vulcanized fiber | red |
| 9 | insulator | POM (UL94HB) | ivory |
| 10 | nut | steel | nickel |
| 11 | washer | steel | nickel |



Ø6.35 MATING PLUG

| | |
|-----------|-------------------------------|
| Model No. | SJ-63013G |
| Schematic | |
| PIN | |
| 2 | isolated transfer terminal |
| 3 | isolated break terminal (N-C) |
| 4 | tip |
| 8 | ring |
| 9 | sleeve |



REVISION HISTORY

| rev. | description | date |
|------|-----------------|------------|
| 1.0 | initial release | 08/11/2020 |

The revision history provided is for informational purposes only and is believed to be accurate.

CUI DEVICES

CUI Devices offers a one (1) year limited warranty. Complete warranty information is listed on our website.

CUI Devices reserves the right to make changes to the product at any time without notice. Information provided by CUI Devices is believed to be accurate and reliable. However, no responsibility is assumed by CUI Devices for its use, nor for any infringements of patents or other rights of third parties which may result from its use.

CUI Devices products are not authorized or warranted for use as critical components in equipment that requires an extremely high level of reliability. A critical component is any component of a life support device or system whose failure to perform can be reasonably expected to cause the failure of the life support device or system, or to affect its safety or effectiveness.