

# HC-ADV-B10-HHWH-BLANK-ELC-AL - Housing



1420052

<https://www.phoenixcontact.com/us/products/1420052>

Please be informed that the data shown in this PDF document is generated from our online catalog. Please find the complete data in the user documentation. Our general terms of use for downloads are valid.



Sleeve housing B10, with screw locking, material: Die-cast aluminum, salt water resistant, variable, height: 93.7 mm, cable gland: none, Offshore/EMC, Without thread opening for screw connection, conductive seal (EMC properties)

## Commercial data

Item number	1420052
Packing unit	1 pc
Minimum order quantity	1 pc
Sales key	BF58
Product key	BF7APH
Catalog page	Page 603 (C-2-2019)
GTIN	4055626201474
Weight per piece (including packing)	274.5 g
Weight per piece (excluding packing)	274.5 g
Customs tariff number	85389099
Country of origin	CN

1420052

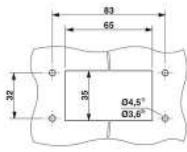
<https://www.phoenixcontact.com/us/products/1420052>

## Technical data

### Product properties

Type	B10
Product type	Housing with screw locking
Application	Offshore/EMC
Fixing screws	M6 (screw head: 5 mm Allen screw)
Housing type	Sleeve housing
Shielded	yes
Cable outlet	variable
Pg screw connection	none

### Dimensions

Dimensional drawing	
Width	57 mm
Height	93.7 mm
Length	105 mm

### Installation dimensions

Width of the assembly cutout	35 mm
Length of the assembly cutout	65 mm

### Material specifications

Seal material	NBR, conductive
Housing surface material	uncoated
Locking latch material	Stainless steel
Impact strength	IK09
Housing material	Die-cast aluminum, salt water resistant

### Environmental and real-life conditions

#### Ambient conditions

Degree of protection	IP66
	IP68 (0.2 bar/24 h)
	IP69 (ISO 20653:2013-02)
Degree of protection (NEMA)	4 (UL 50e)
	4X (UL 50e)
	12 (UL 50e)
Impact strength	IK09
Ambient temperature (operation)	-40 °C ... 125 °C

1420052

<https://www.phoenixcontact.com/us/products/1420052>

## Mechanical properties

### Mechanical data

Locking type	Screw
--------------	-------

## Mounting

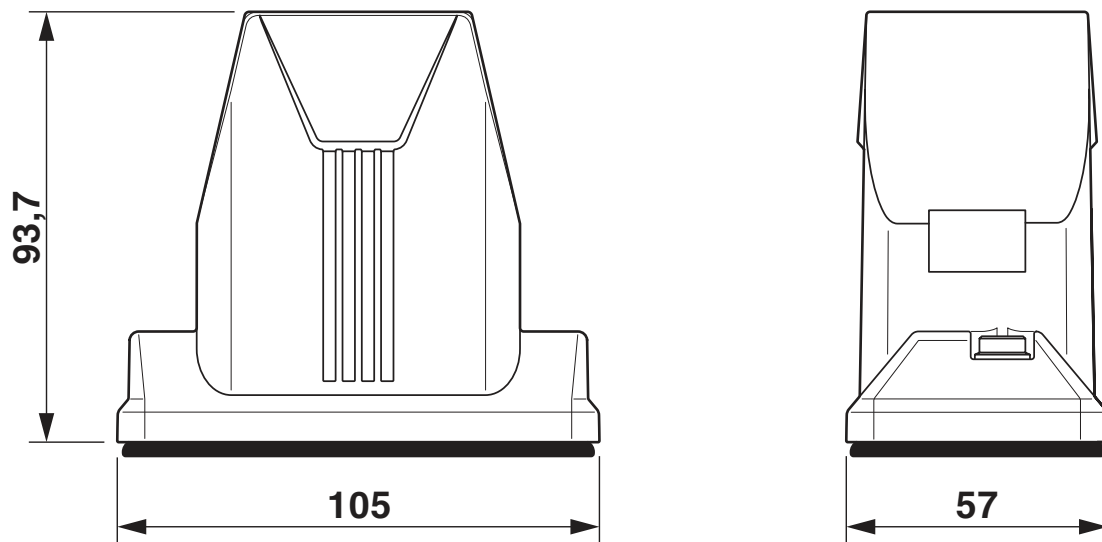
Assembly instructions	In order to guarantee that the protective conductor contact functions even when plugged in at an angle, the two panel-mount flanges must have sufficient electrical contact with the metal mounting panel.
	To ensure optimum shielding, any insulating power coating must be removed from the profile gasket area on the control cabinet panel. Tightening torque of locking screw: 3 Nm.
Fixing screws	M6 (screw head: 5 mm Allen screw)

1420052

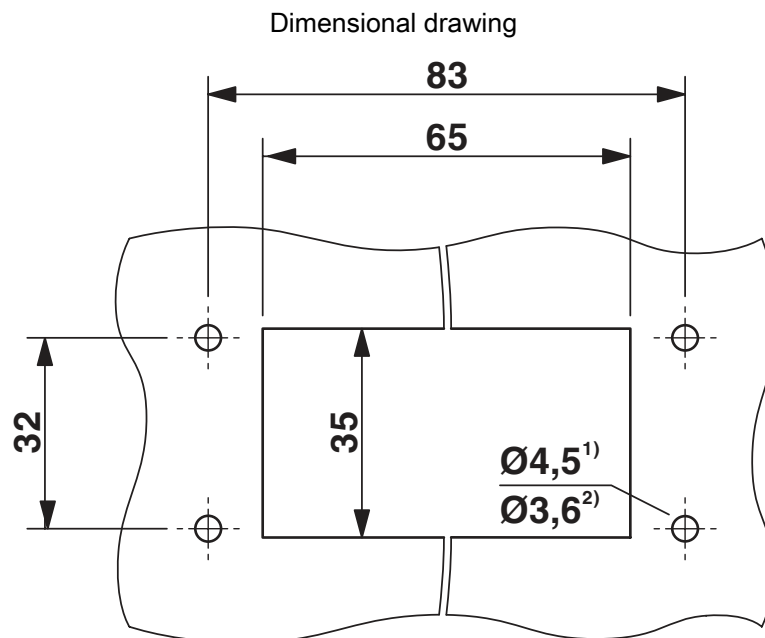
<https://www.phoenixcontact.com/us/products/1420052>

## Drawings

Dimensional drawing



Dimensional drawing



### Mounting cutout

1) when M4 screws are used

2) when self-tapping Torx® screws are used (Torx® 20, M4)

1420052

<https://www.phoenixcontact.com/us/products/1420052>

## Approvals

To download certificates, visit the product detail page: <https://www.phoenixcontact.com/us/products/1420052>

**DNV**

Approval ID: TAE000037S



**cUL Recognized**

Approval ID: E255026



**UL Recognized**

Approval ID: E255026



**EAC**

Approval ID: RU C-DE.AI30.B.01102



**EAC**

Approval ID: RU C-DE.BL08.B.00511

**cULus Recognized**

1420052

<https://www.phoenixcontact.com/us/products/1420052>

## Classifications

### ECLASS

ECLASS-11.0	27440202
ECLASS-12.0	27440202
ECLASS-13.0	27440202

### ETIM

ETIM 8.0	EC000437
----------	----------

### UNSPSC

UNSPSC 21.0	31261500
-------------	----------

# HC-ADV-B10-HHWH-BLANK-ELC-AL - Housing



1420052

<https://www.phoenixcontact.com/us/products/1420052>

## Environmental product compliance

China RoHS	Environmentally friendly use period: unlimited = EFUP-e
	No hazardous substances above threshold values

# HC-ADV-B10-HHWH-BLANK-ELC-AL - Housing



1420052

<https://www.phoenixcontact.com/us/products/1420052>

## Accessories

### HC-B-AF - Panel-mount flange

1686533

<https://www.phoenixcontact.com/us/products/1686533>



Panel-mount flange for HEAVYCON ADVANCE housing

---

### HC-B-AF-SET - Panel-mount flange

1604638

<https://www.phoenixcontact.com/us/products/1604638>



Panel-mount flange for HEAVYCON ADVANCE housing, set consisting of:  
2 panel-mount flanges with 4 self-tapping screws (M4, Torx<sup>®</sup>) and 4 fan-type washers



# HC-ADV-B10-HHWH-BLANK-ELC-AL - Housing



1420052

<https://www.phoenixcontact.com/us/products/1420052>

## HC-B 10-TMS-SD-IP50 - Protective cover

1690749

<https://www.phoenixcontact.com/us/products/1690749>



Protective cover B10, Clip locking, protective cover material: PA, height: 31.2 mm, seal: no, with lanyard

---

## HC-B 10-TMS-SD-IP66 - Protective cover

1411504

<https://www.phoenixcontact.com/us/products/1411504>



HEAVYCON ADVANCE, IP66, B10 protective cover for panel mounting side, with screw locking, with retaining cord, diameter of retaining cord eyelet: 3 mm

# HC-ADV-B10-HHWH-BLANK-ELC-AL - Housing



1420052

<https://www.phoenixcontact.com/us/products/1420052>

## US-EMLP-HA (20X9) - Plastic label

0830989

<https://www.phoenixcontact.com/us/products/0830989>



Plastic label, Card, white, unlabeled, can be labeled with: BLUEMARK ID COLOR, BLUEMARK ID, THERMOMARK PRIME, THERMOMARK CARD 2.0, THERMOMARK CARD, mounting type: adhesive, lettering field size: 20 x 9 mm, Number of individual labels: 70

---

## US-EMLP-HA (20X9) CUS - Plastic label

0830995

<https://www.phoenixcontact.com/us/products/0830995>



Plastic label, Card, white, labeled, can be labeled with: THERMOMARK CARD, mounting type: adhesive, lettering field size: 20 x 9 mm, Number of individual labels: 70

# HC-ADV-B10-HHWH-BLANK-ELC-AL - Housing



1420052

<https://www.phoenixcontact.com/us/products/1420052>

## SF-BIT-HEXB 5-89 - Screw insert

1208911

<https://www.phoenixcontact.com/us/products/1208911>



Screw bit, hexagonal with ball head, E6.3-1/4" drive, size: Hex 5 x 89 mm, hardened, suitable for holder according to DIN 3126-F 6.3/ISO 1173

---

## SF-M BH - Screwdriver

1212070

<https://www.phoenixcontact.com/us/products/1212070>



Bit screwdriver, with 1/4" quick-action chuck, handle length 119 mm, 2-component handle, with non-slip grip, suitable for bits according to DIN 3126-C 6.3 and E 6.3/ISO 1173, magnetic

---

Phoenix Contact 2023 © - all rights reserved  
<https://www.phoenixcontact.com>

Phoenix Contact USA  
586 Fulling Mill Road  
Middletown, PA 17057, United States  
(+717) 944-1300  
[info@phoenixcon.com](mailto:info@phoenixcon.com)