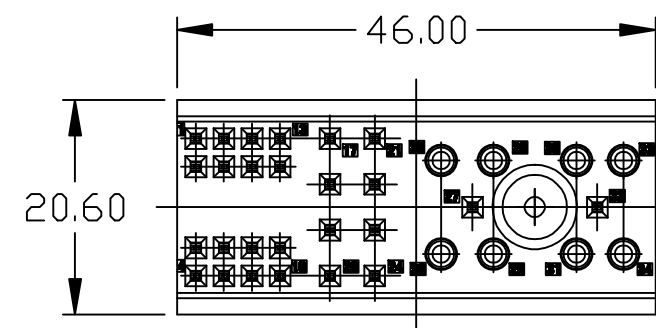
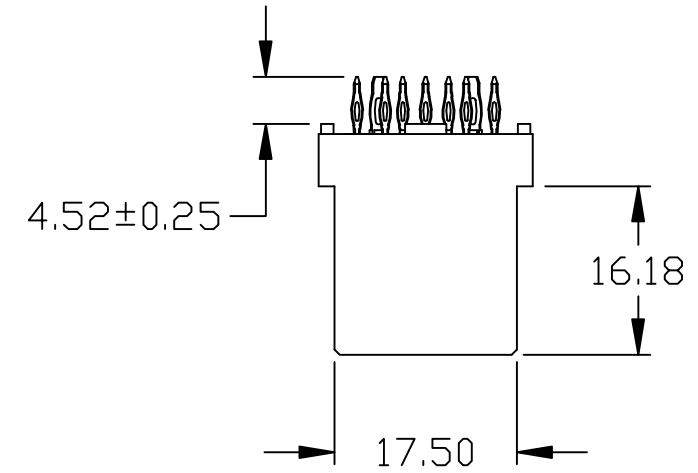


# 3M™ POWER BACKPLANE FEMALE CONNECTOR FOR ATCA APPLICATIONS

- NOTES:
- MATERIALS AND FINISH:  
INSULATOR: GLASS FILLED POLYESTER (PBT) UL94V-0  
CONTACTS: COPPER ALLOY
  - PLATING:  
-ES  
FINISH: 0.76um MIN Au  
UNDERCOAT: 1.27um MIN Ni  
-G  
FINISH: 0.25um MIN Au  
UNDERCOAT: 1.27um MIN Ni  
-DA  
FINISH: 0.08um MIN Au  
UNDERCOAT: 1.27um MIN Ni
  - ELECTRICAL CHARACTERISTICS  
INSULATION RESISTANCE ---  $5 \times 10^9$  OHMS  
INITIAL CONTACT RESISTANCE  
POWER CONTACT ----- 2.2 MILLIOHMS MAX  
SIGNAL CONTACT ----- 8.5 MILLIOHMS MAX  
VOLTAGE PROOF  
PIN 1-16: 1000 VR.M.S  
PIN 17-34: 2000 VR.M.S  
CURRENT CARRYING CAPACITY  
SIGNAL PINS: 1A  
POWER PINS: 16A



- SEE THE REGULATORY INFORMATION APPENDIX (RIA) IN THE "RoHS COMPLIANCE" SECTION OF: WWW.3MCONNECTOR.COM FOR COMPLIANCE INFORMATION (RIA E1 & C1 APPLY).
- REFERENCE DOCUMENT: 78-9101-3345-9
- IN THE EVENT OF CONFLICT BETWEEN THIS DATA AND THAT CONTAINED IN THE PRODUCT SPEC., THE PRODUCT SPEC. TAKES PRECEDENT.

7. PART No:

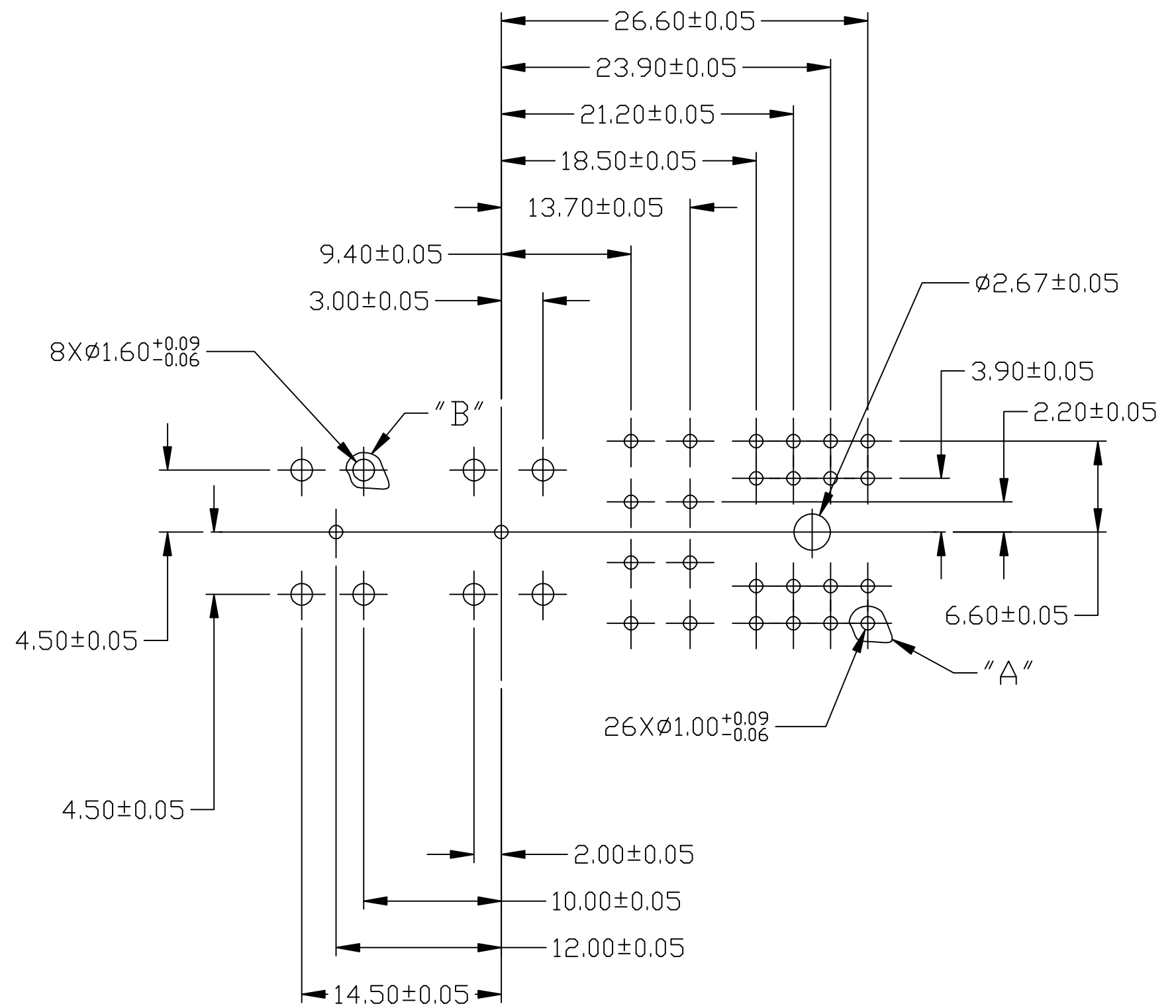
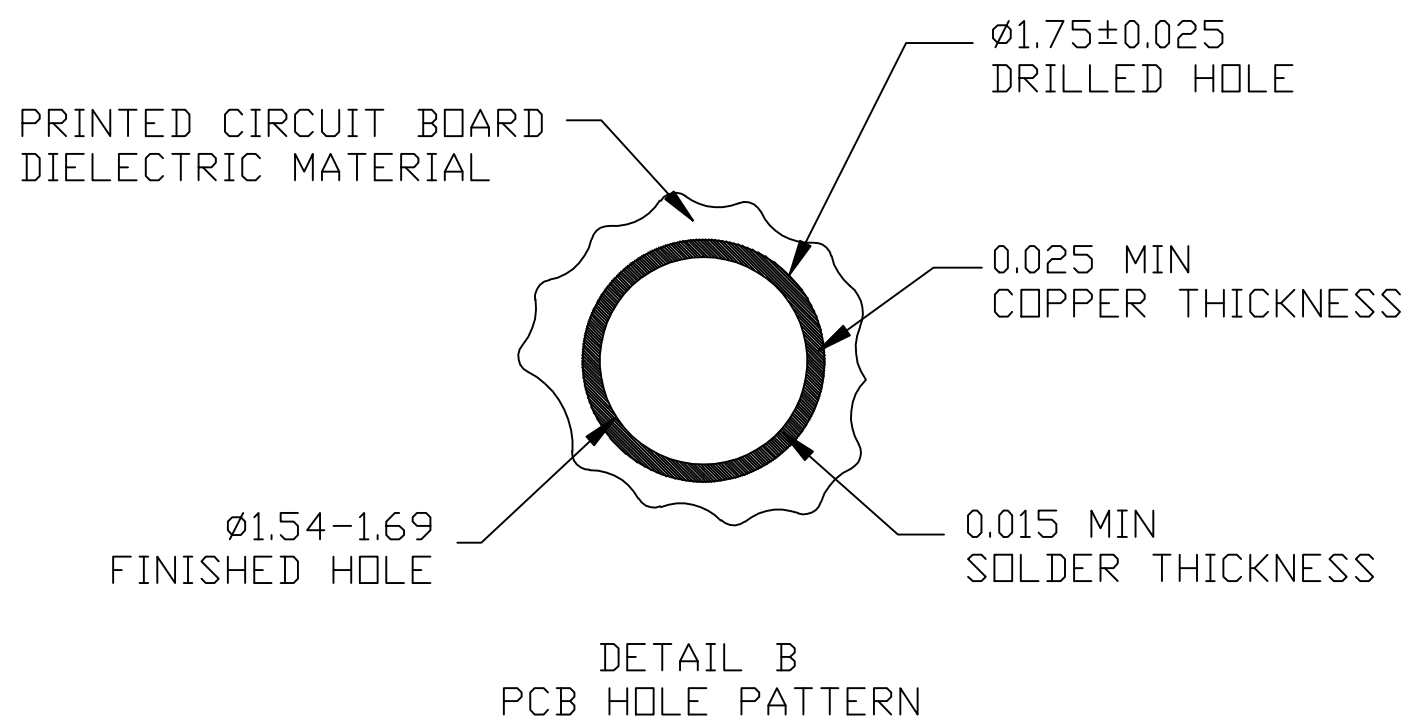
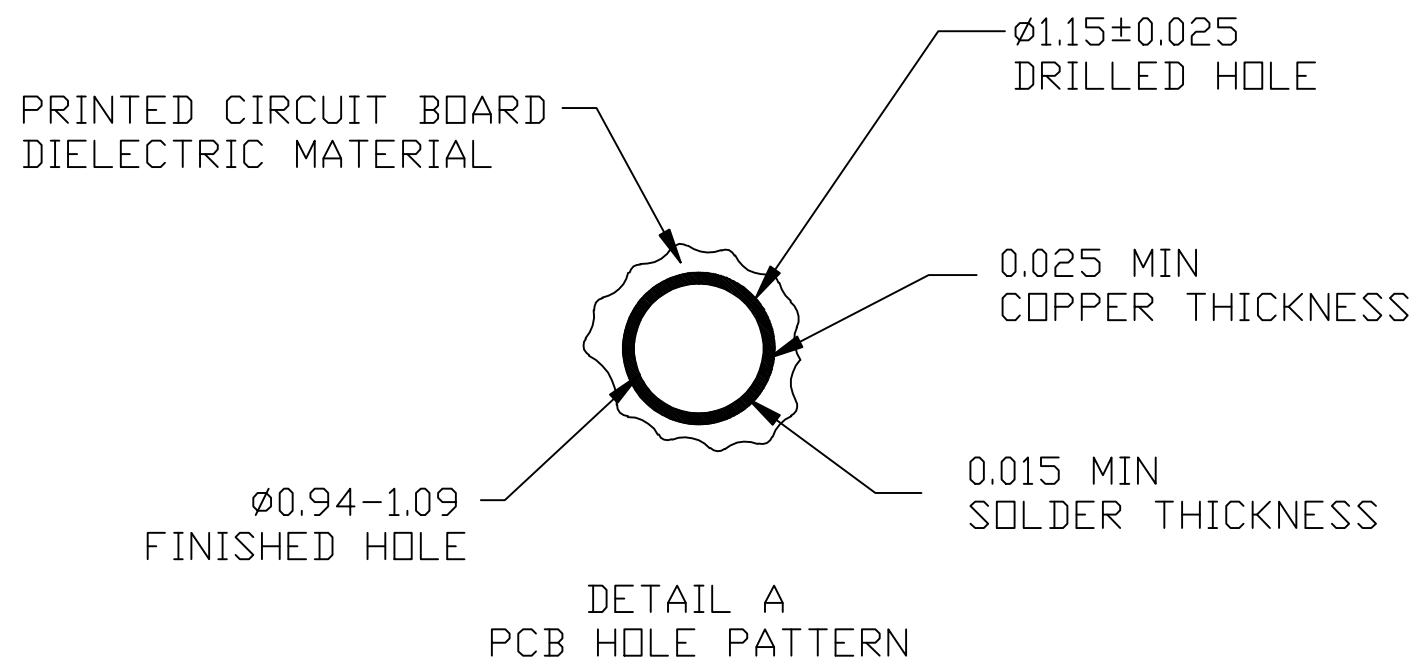
PART DESCRIPTION	CONTACT POSITIONS
2P02-0100-XX	34
2P02-0200-XX	30, EXCEPT POSITIONS 1-4
2P02-0300-XX	22, EXCEPT POSITIONS 1-4, 17-24

-XX IS PLATING TYPE

- FOR MATING PRODUCT USE:  
2P01-0X00-XX ATCA POWER RIGHT ANGLE MALE CONNECTOR
- PCB THICKNESS: MINIMUM:2.00MM  
MAXIMUM:5.00MM

DESIGN REFERENCE		NEXT ASSEMBLY		REV	ECO	ISSUE DATE AND DESCRIPTION		DRFT	CHKD
DISTRIBUTION CODES				DRFT	Peter	DATE 12/8'06	MFG	DATE	
				CHKD	Seawen	DATE 12/8'06	APPL	DATE	
DIVISION		DIVISION CODE		<b>3M</b> 3M Center St. Paul, MN 55144		© 3M COPYRIGHT This document is the copyrighted property of the 3M Company and may not be reproduced without 3M written permission or used for other than 3M authorized purposes.			
DO NOT SCALE DRAWING	SCALE	TOLERANCES EXCEPT AS NOTED		TITLE 2P02-0X00-XX ATCA POWER BACKPLANE CONNECTOR					
		INCHES .0 ± * .00 ± * .000 ± * .0000 ± *							
THIRD ANGLE PROJECTION		MILLIMETERS 0 ± * .0 ± 0.30 .00 ± 0.20 .000 ± 0.10		CAGE NUMBER	SIZE	DRAWING NO.		REV.	
MAX SURFACE ROUGHNESS <input type="checkbox"/> ALL SURFACES <input checked="" type="checkbox"/> MARKED ONLY		ANGLES ± 1'		<b>C</b>	<b>C</b>	78-5100-2378-7		A	
				MODEL	DET. LISTS		<input type="checkbox"/> YES <input type="checkbox"/> NO SHT 1 OF 2		

# 3M™ POWER BACKPLANE FEMALE CONNECTOR FOR ATCA APPLICATIONS



RECOMMENDED PC BOARD REQUIREMENTS  
(COMPONENT SIDE OF BOARD SHOWN)

DESIGN REFERENCE	NEXT ASSEMBLY	REV	ECO	ISSUE DATE AND DESCRIPTION	DRFT	CHKD
		DRFT	Peter	DATE 12/8'06	MFG	DATE
		CHKD	Seawen	DATE 12/8'06	APPL	DATE
DIVISION		DIVISION CODE		<p>3M Center St. Paul, MN 55144</p> <p>© 3M COPYRIGHT This document is the copyrighted property of the 3M Company and may not be reproduced without 3M written permission or used for other than 3M authorized purposes.</p>		
DO NOT SCALE DRAWING	SCALE	TOLERANCES EXCEPT AS NOTED				
THIRD ANGLE PROJECTION		INCHES		TITLE 2P02-0X00-XX ATCA POWER BACKPLANE CONNECTOR		
INTERPRET PER ASME Y14.5 - 1994		MILLIMETERS				
MAX SURFACE ROUGHNESS		CAGE NUMBER		DRAWING NO.		REV.
<input type="checkbox"/> ALL SURFACES <input checked="" type="checkbox"/> MARKED ONLY		SIZE <b>C</b>		78-5100-2378-7		A
<input type="checkbox"/> ANGLES ± 1'		MODEL		DET. LISTS <input type="checkbox"/> YES <input type="checkbox"/> NO		SHT 2 OF 2