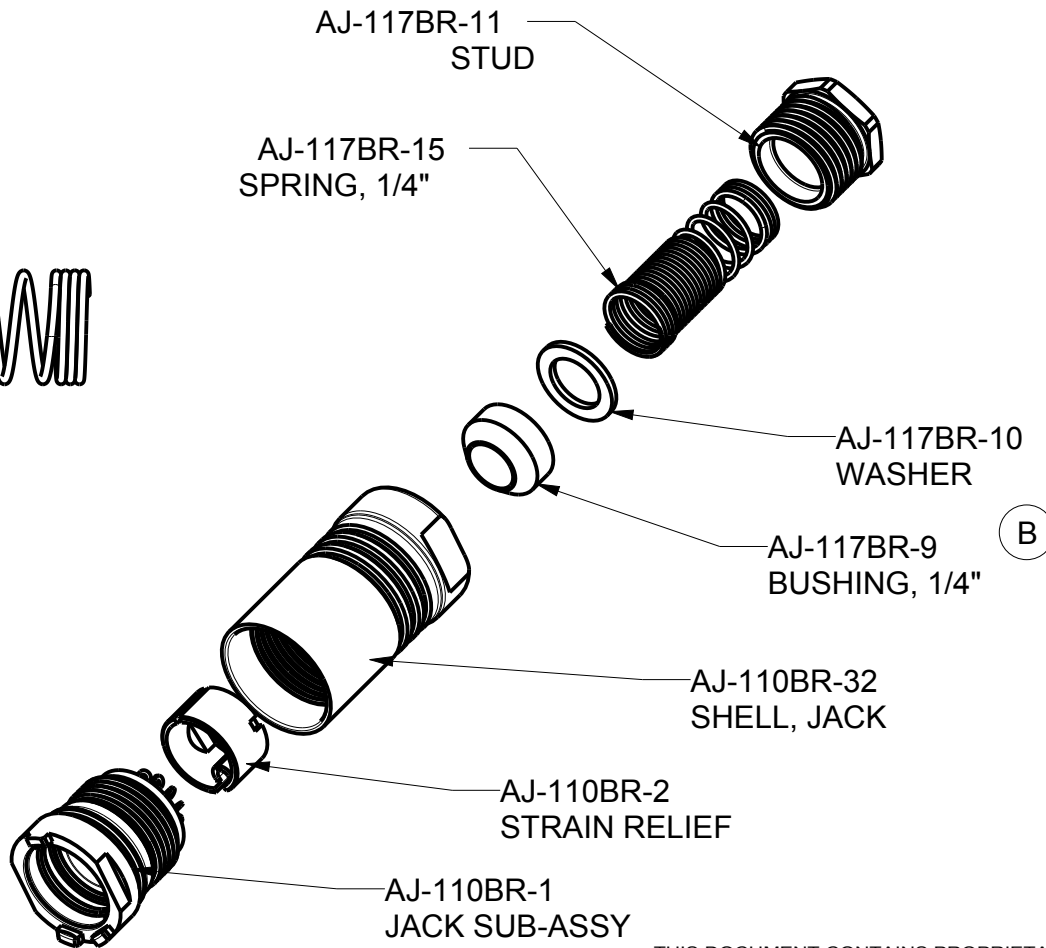
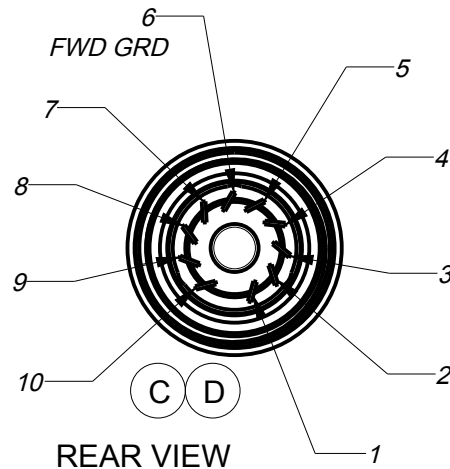
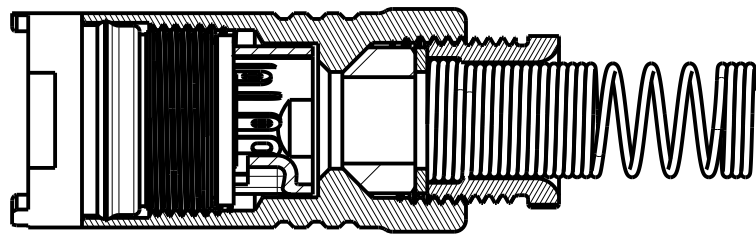


PROPRIETARY - NEXUS
 ORDERING PART NUMBER: AJ-110BRXL

A AJ-110BRXL-CP



THIS DOCUMENT CONTAINS PROPRIETARY INFORMATION OF NEXUS, INCORPORATED AND SUCH INFORMATION MAY NOT BE DISCLOSED TO OTHERS FOR ANY PURPOSE OR USED FOR ANY PURPOSE WITHOUT THE WRITTEN CONSENT OF NEXUS.

D	CONTACT ORIENTATION		05/07 2012	
C	NUMBER CONTACTS ADD REAR VIEW.		09/02 2010	
B	CORRECT PN (WAS 110)		08/19 2010	
LET.	REVISION	CN #	DATE	CHK.

DWN.BY	LDE	DATE	25-Jul-10
CHECKED BY		DATE	
APPR.BY		DATE	
UNLESS OTHERWISE SPECIFIED: DIMENSIONS ARE IN INCHES &/OR [mm]			
TOLERANCES:			
DECIMAL: .XX[X.X] .XXX[X.XX]			
± .01[0.3] ± .003[0.08]			
FRACTION: XX		ANGLES: X	
± 1/64		± .5	

MATERIAL	
FINISH	
WEIGHT	SCALE = 2.00 :1
TITLE	
JACK - STRAIN RELIEF	
ORDERING PART NUMBER: AJ-110BRXL	
DO NOT SCALE DWG.	SHEET 1 OF 1

NEXUS
 STAMFORD, CONN

SIZE DWG. NO.
A AJ-110BRXL-CP