

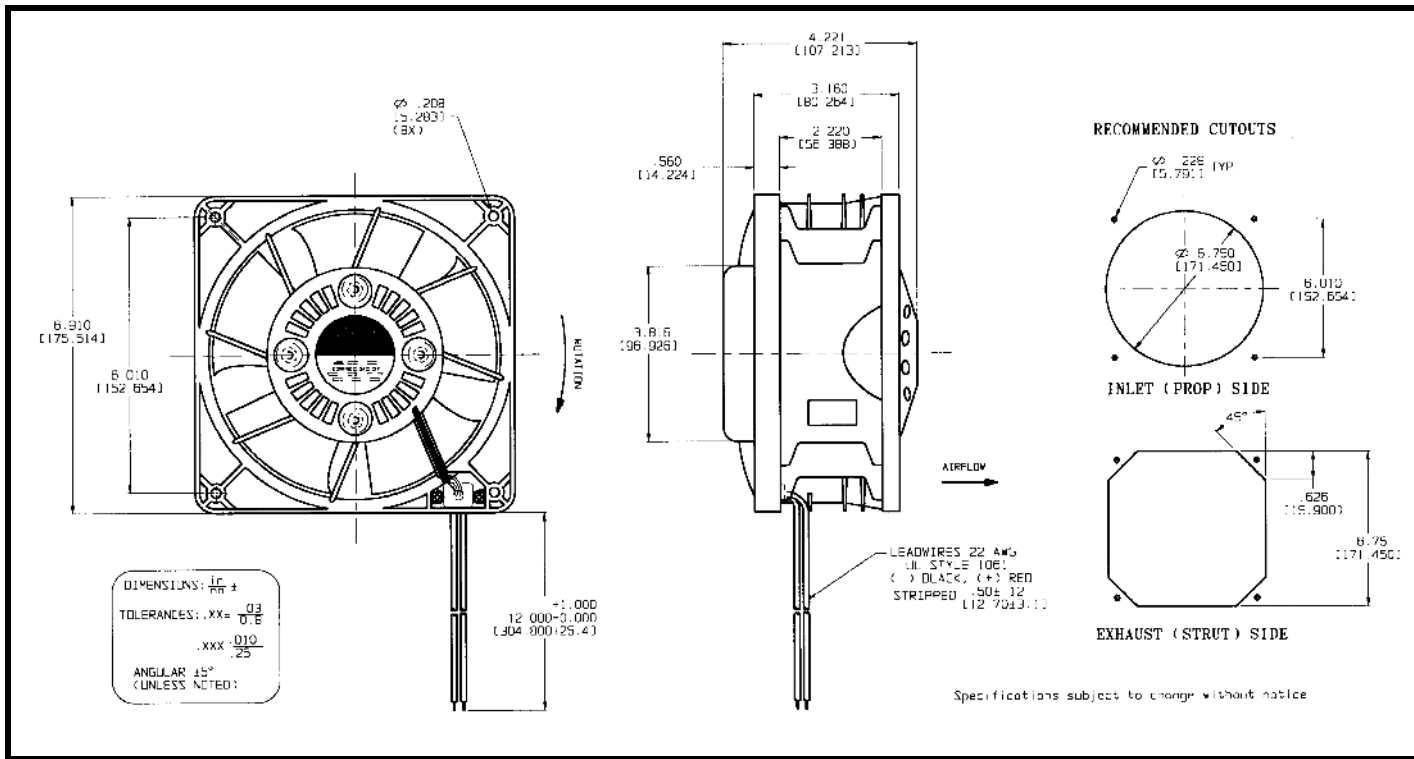
SPECIFICATIONS



Model Number: TD48B6NDNX
Part Number: TBD

Sep 6, 2013

Mechanical Drawing:



Motor:

Nominal Voltage = 48 vdc
 Operating Voltage Range = 40-56 vdc
 Nominal Running Current = 0.700 amps
 Locked Rotor Current = 1.500 amps
 Running Power = 33.6 watts
 Average Speed = 3275 rpm
 Bearings = Ball
 Air Flow = 330 cfm
 Acoustics = 65.2 dBA

Construction:

Venturi: Plastic, Black, UL 94V-0
 Propeller: Polycarbonate, Black, UL 94V-0

Agency Approvals:

UL, cUL

Life Expectancy:

This fan is designed for continuous duty life of 35,000 hours at 40°C

Additional Features:

Brushless DC Motor
 Electronic Locked Rotor Protected
 Reverse Polarity Protection
 Automatic Restart Capability
 Operating Temperature: -10°C to +70°C
 Storage Temperature: -40°C to +85°C

Fan Performance Sensor (FPS):

Output: Inverted Open Collector
 I_c: 80mA Max.
 V_{cc}: 60VDC Max.
 Logic Level: Low on Pass, High on Fail
 Delay: 10 ± 4 Seconds
 Latching: No
 Isolated: No

Termination:

24.0" Harness, AWG 22, UL Style 1061
 Connector: Molex 03-06-2032
 Terminals: Molex 02-06-2103

Pin 1 (Red) = Power (+)
 Pin 2 (Black) = Return (-)
 Pin 3 (Blue/White) = FPS Output