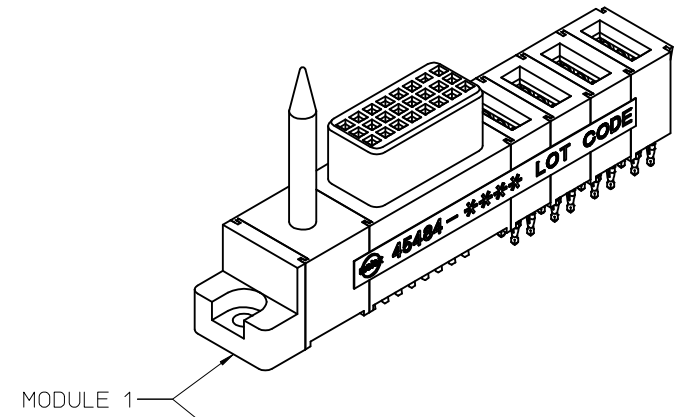


- NOTES:
- MATERIAL: LCP, GLASS FILLED, UL94V-0, BLACK.
CONTACTS: COPPER ALLOY
 - FINISH: SELECT GOLD: 30 MI MIN.
SELECT TIN: 100 MI MIN.
BOTH OVER NICKEL: 50 M.I. MIN.
 - PRODUCT SPECIFICATION: PS-45424-001.
 - PACKAGING SPECIFICATION: PK-45484-001.
 - PCB HOLE SPECIFICATION: PS-45424-001.



PCB LAYOUT: COMPONENT SIDE
PCB THICKNESS: 2.36
PCB TOLERANCE: ±0.05

INITIAL RELEASE	DESCRIPTION
EC NO: UCP2006-1115	
DRWN: KSAMIEC 2005/11/18	
CHKD: JSCHAFFER 2005/11/18	
APPR: APATEL 2005/11/29	
A	REV

GENERAL TOLERANCES (UNLESS SPECIFIED)	
	mm INCH
4 PLACES	± --- ± ---
3 PLACES	± --- ± ---
2 PLACES	± 0.25 ± ---
1 PLACE	± 0.38 ± ---
ANGULAR ±1/2°	
DRAFT WHERE APPLICABLE MUST REMAIN WITHIN DIMENSIONS	

DIMENSION STYLE	
MM/IN	
DRAWN BY	DATE
KSAMIEC	2005/11/11
CHECKED BY	DATE
JSCHAFFER	2005/11/11
APPROVED BY	DATE
APATEL	2005/11/11
MATERIAL NO.	
45484-0149	
SIZE	
A	

SCALE	DESIGN UNITS	THIRD ANGLE PROJECTION	
1:1	METRIC		
TITLE			
POWER DOCK ASSEMBLY SOCKET VERTICAL CPI			
MOLEX INCORPORATED			
DOCUMENT NO.		SHEET NO.	
SD-45484-0149		1 OF 1	